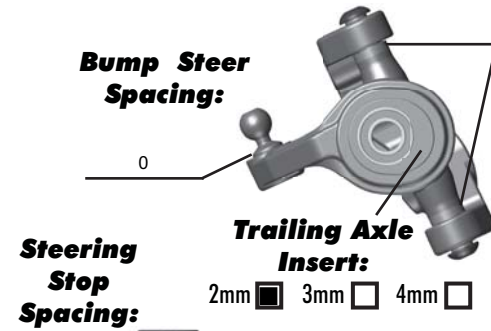


**Front Suspensions:**

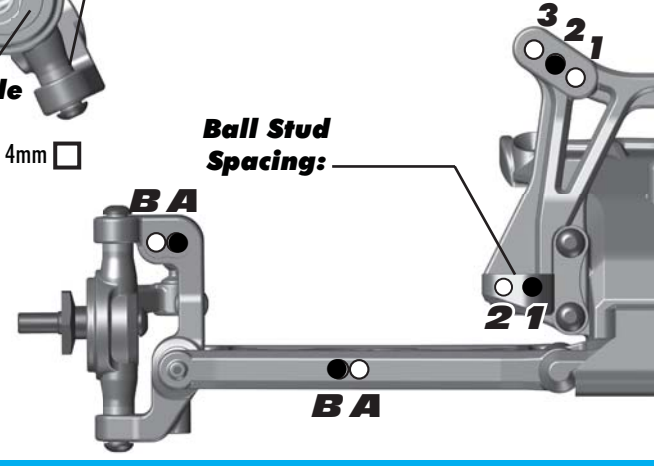
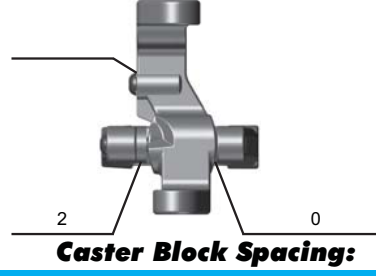
**Camber:**           -1           °  
**Total Toe:**           +1           °  
**Ride Height:**           26            
**Arm Type:**           STD            
**Tower Type:**           STD            
**Caster Block Insert:**           30           °  
**Kick-Up Angle:**           5           °

**Notes:** \_\_\_\_\_  
 \_\_\_\_\_  
 \_\_\_\_\_  
 \_\_\_\_\_



**Axle Height:**  
 Up   
 Middle   
 Down

**Ball Stud Spacing:**  
          2          



**Rear Suspension:**

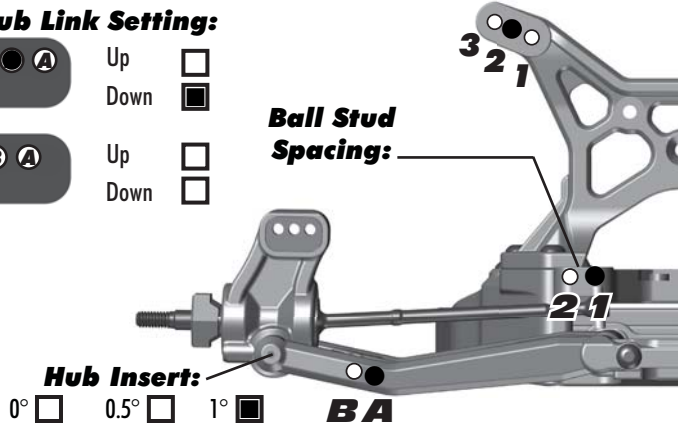
**Camber:**           -1           °  
**Ride Height:**           24            
**Hub Spacing:**  
 Forward  Middle  Back

**Notes:** \_\_\_\_\_  
 \_\_\_\_\_  
 \_\_\_\_\_  
 \_\_\_\_\_

**Anti Roll Bar:**  
 None   
 Black (1.2mm)   
 Silver (1.3mm)   
 Gold (1.4mm)

**Rear Hub Link Setting:**  
**A**  C  A Up   
 Down   
**B**  B  A Up   
 Down

**Arm Mount:** \_\_\_\_\_  
**Inboard Toe:**           3           °  
**Anti-Squat:**           2           °



**Electronics:**

**Radio:** \_\_\_\_\_ **Servo:** \_\_\_\_\_  
**EPA: Throttle:** \_\_\_\_\_ % **Brake:** \_\_\_\_\_ %  
**ESC:** \_\_\_\_\_  
**ESC Settings:** \_\_\_\_\_  
**Motor:** \_\_\_\_\_  
**Wind:** \_\_\_\_\_ **Timing:** \_\_\_\_\_  
**Pinion:** \_\_\_\_\_ **Spur:** \_\_\_\_\_  
**Battery:** \_\_\_\_\_  
**Battery Position:** \_\_\_\_\_

**Drivetrain:**

**Differential:**  
 Ball:   
 Setting: \_\_\_\_\_  
 Gear:   
 Oil: \_\_\_\_\_

**Slipper Clutch:**

**Type:**           STD            
**# of Pads:**           3            
**Notes:** \_\_\_\_\_

**Shocks:**

	Front	Rear
<b>Piston:</b>	1.6	1.6
<b>Oil:</b>	30	27.5
<b>Spring:</b>	WHITE	GREEN
<b>Limiters:</b>	/	/
<b>Cup Offset:</b>	/	/
<b>Stroke:</b>	/	/
<b>Free Length:</b>	/	/
<b>Notes:</b>		



**Track Info:**

**Size:** Small  Medium  Large  Extra Large   
**Surfaces:** Dirt  Carpet  AstroTurf  Multi Surface   
**Traction:** Low  Medium  High  Very High   
**Moisture:** Dry  Damp  Wet   
**Condition:** Indoor  Outdoor  Dusty  Hard Packed   
 Bumpy  Grooved  Smooth  Loamy

**Temperature:** Ambient: \_\_\_\_\_ Track: \_\_\_\_\_  
**Notes:** \_\_\_\_\_

**Tires:**

**Tires (F/R):**           PROLINE HOLESHOT           /           PROLINE BLOCK HEAD            
**Compound (F/R):**           M3           /           M4            
**Insert (F/R):**           AKA           /           STD            
**Wheel (F/R):**           JC           /           JC            
**Notes:** \_\_\_\_\_

**Body & Wing:**

**Body:**           SILINER JC            
**Wing:**           JC 7"            
**Wing Angle:** 0°  3°  6°   
**Notes:** \_\_\_\_\_

**Race Results:**

**Qualify:**           2"           **Main:** \_\_\_\_\_  
**Finish:**           3"           **TQ:**   
**Best Lap Time:** \_\_\_\_\_

**Vehicle Comments:**

\_\_\_\_\_  
 \_\_\_\_\_  
**Total Vehicle Weight:** \_\_\_\_\_