

Front Suspensions:

Camber: 0

Total Toe: 0

Ride Height: 24 mm

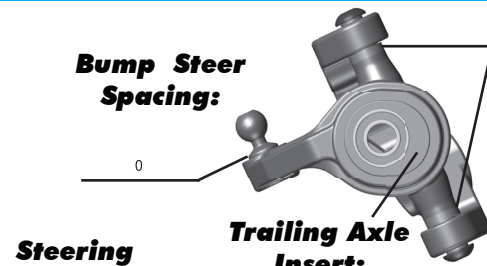
Arm Type: Flat, Standard Composite

Tower Type: Flat, Standard Composite

Caster Block Insert: 5

Kick-Up Angle: 25

Notes: Carbon composite caster blocks and spindles



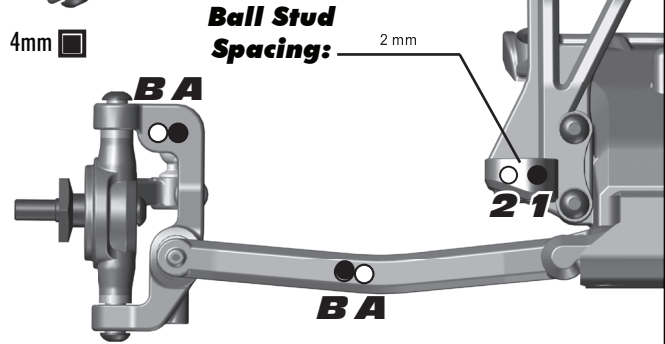
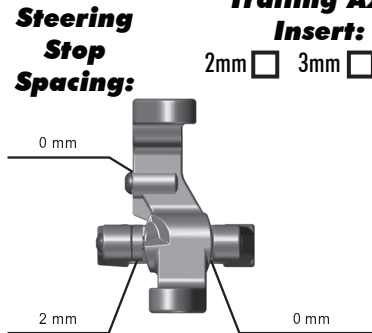
Axle Height:

Up

Middle

Down

Ball Stud Spacing: 2 mm



Rear Suspension:

Camber: 0

Ride Height: 24 mm

Hub Spacing: Forward Middle Back

Notes: Factory Team Aluminum "C" and "D" Arm Mounts;
Factory Team Aluminum Hubs (3mm washers)

Anti Roll Bar:

None

Black (1.2mm)

Silver (1.3mm)

Gold (1.4mm)

Rear Hub Link Setting:

A Up Down

B Up Down



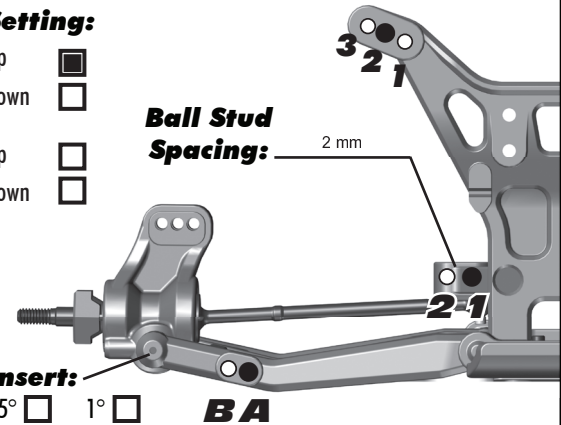
Arm Mount:

Inboard Toe: 3

Anti-Squat: 1

Hub Insert: 0° 0.5° 1°

BA



Electronics:

Radio: Futaba 4PK **Servo:** XP 1015

EPA: Throttle: 100 % **Brake:** 84 %

ESC: LRP Flow Works Team

ESC Settings:

Motor: LRP X-20 (12.0 mm Works Team Rotor)

Wind: 8.5 **Timing:** 4 Dot

Pinion: 22 **Spur:** 78

Battery: LRP 4500 mAh 55C Shorty

Battery Position: Back

Drivetrain:

Differential:

Ball:

Setting: Standard To Loose

Gear:

Oil:

Slipper Clutch:

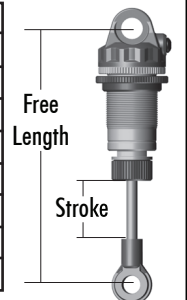
Type: Associated

of Pads: 2

Notes:

Shocks:

	Front	Rear
Piston:	2 x 1.6 Kit	2 x 1.6 Kit
Oil:	30	30
Spring:	Gray	White
Limiters:	3	2
Cup Offset:	5 mm	5 mm
Stroke:	20.3 mm	27 mm
Free Length:	N/A	N/A
Notes:	Factory Team X-Rings	



Track Info:

Size: Small Medium Large Extra Large

Surfaces: Dirt Carpet Astroturf Multi Surface

Traction: Low Medium High Very High

Moisture: Dry Damp Wet

Condition: Indoor Outdoor Dusty Hard Packed

Bumpy Grooved Smooth Loamy

Temperature: Ambient: _____ Track: _____

Notes:

Tires:

Tires (F/R): JConcepts Dirt Webs / JConcepts Dirt Webs

Compound (F/R): Gold / Gold

Insert (F/R): Closed Cell / Closed Cell

Wheel (F/R): JConcepts Mono / JConcepts Mono

Notes:

Body & Wing:

Body:

Wing: JConcepts B5 High Clearance 6.5"

Wing Angle: 0° 3° 6°

Notes: Wing lip cut to one line

Race Results:

Qualify: _____ **Main:** _____

Finish: _____ **TQ:**

Best Lap Time: _____

Vehicle Comments:

Total Vehicle Weight: _____