

Front Suspensions:

Camber: -1

Total Toe: 0

Ride Height: 23.5 mm

Arm Type: #91399 Flat, Hard

Tower Type: #91373 Flat, Standard

Caster Block Insert: 5

Kick-Up Angle: 25

Wheel Hex: Titanium Front Axle

Notes: #91373 Standard Front Hinge Pin Brace

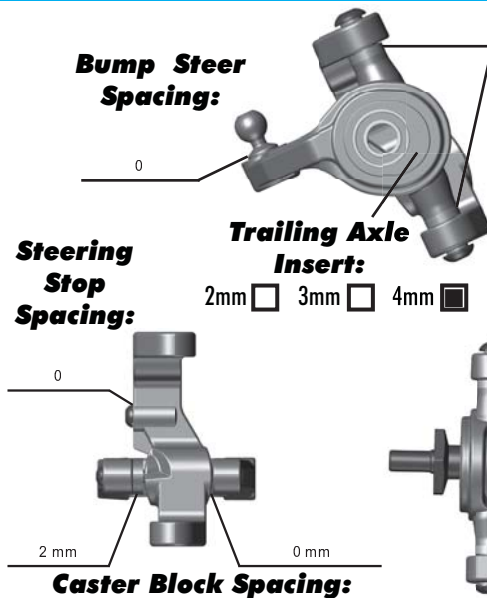
#91440 & #91404 Standard Front Caster & Steering Blocks

#91514 Chassis Cradle, Standard

#91362 Standard Top Plate

#91392 Aluminum Steering Set

#91512 Chassis Plate, Standard



Axle Height:

Up

Middle

Down

Ball Stud Spacing: 1 mm

Ball Stud Spacing: 1.5 mm

Rear Suspension:

Camber: -1

Ride Height: 23.5 mm

Wheel Hex: #91410 Clamping Hex 7.0mm

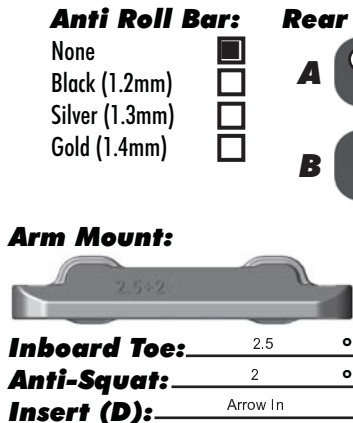
Hub Spacing: Forward Middle Back

Notes: #91413 Rear Arms, Hard

#91548 Factory Team 0° Aluminum Hubs (Back Row Inside + 3 mm)

#91522 & #91524 Factory Team Aluminum Arm Mount (C) & (D)

#91518 Standard Rear Tower



Anti Roll Bar:

None

Black (1.2mm)

Silver (1.3mm)

Gold (1.4mm)

Rear Hub Link Setting:

A Up Down

B Up Down

Ball Stud Spacing: 0

+2mm -2mm

Hub Insert: 0° 0.5° 1°

Electronics:

Radio: Airtronics M12 **Servo:** Reedy 1206

EPA Throttle: 100 % **Brake:** 92 %

ESC: Reedy Blackbox 410R

ESC Settings: See Spencer Rivkin 17.5 Setup Sheet

Motor: Reedy Sonic Mach2

Wind: 17.5 **Timing:** See Setup

Pinion: 30 **Spur:** 69

Battery: Reedy Shorty 4100mAh #602

Battery Position: Middle

Drivetrain:

Differential:

3 Gear: **4 Gear:**

Ball Diff: **Gear Diff:**

Notes: Standard

Slipper Clutch:

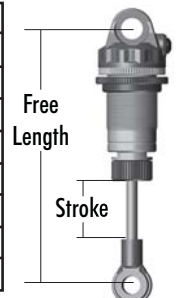
Type: Nova

of Pads: 3

Notes: White/Red/White

Shocks:

	Front	Rear
Piston:	3 x 1.4 Flat	2 x 1.6 Flat
Oil:	30 wt	27.5 wt
Spring:	Grey	White
Limiters:	1	1
Cup Offset:	5 mm	5 mm
Stroke:	21.0 mm	27.0 mm
Free Length:	N/A	N/A
Notes:	#91493 X-Rings	



Track Info:

Size: Small Medium Large Extra Large

Surfaces: Dirt Carpet Astroturf Multi Surface

Traction: Low Medium High Very High

Moisture: Dry Damp Wet

Condition: Indoor Outdoor Dusty Hard Packed

Bumpy Grooved Smooth Loamy

Temperature: Ambient: 68° Track: 68°

Notes:

Tires:

Tires (F/R): JConcepts Dirt Webs 61mm / JConcepts Dirt Webs 61mm

Compound (F/R): Gold / Gold

Insert (F/R): AKA Red Closed Cell / AKA Red Closed Cell

Wheel (F/R): Team Associated Hex 61mm / Team Associated Hex 61mm

Notes:

Body, Wing & Chassis:

Body: JConcepts Silencer

Wing: JConcepts Hi-Clearance (Lip Cut To Two Lines)

Wing Angle: 0° 3° 6° Moved forward 5mm from marks; Raised two wing wedges

Chassis: #91510 - B5M #91511 - B5M Lite

Race Results:

Qualify: 1 **Main:** A

Finish: 1 **TQ:**

Best Lap Time: 19.1

Vehicle Comments:

#90000 B5M Factory Lite Kit; #91600 Factory Team Titanium Screw Kit; Rib between speed control and battery removed; Battery double sided taped in;

Total Vehicle Weight: 1535g