

Front Suspensions:

Camber: 0

Total Toe: -1/4

Ride Height: 24 mm

Arm Type: #91399 Flat, Hard

Tower Type: #91374 Flat, Hard

Caster Block Insert: 5

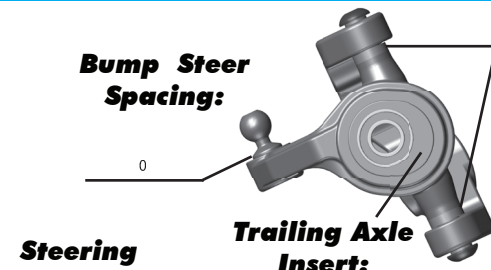
Kick-Up Angle: 25

Notes: #91373 Plastic Front Hinge Pin Brace

#91392 Factory Team Aluminum Steering Set

#91401 Factory Team Caster Block, Hard

#91405 Factory Team Steering Block, Hard

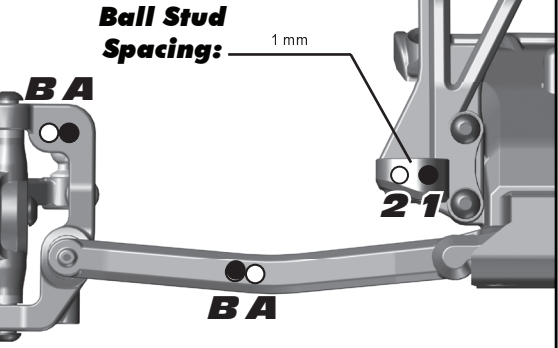
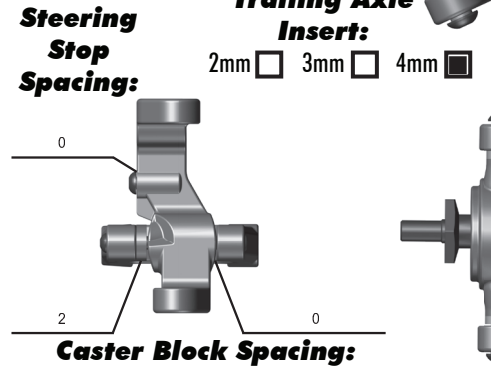


Axle Height:

Up

Middle

Down



Rear Suspension:

Camber: -1

Ride Height: 24 mm

Hub Spacing: Forward Middle Back

Notes: #91412 Rear Arms

#91548 Factory Team 0° Aluminum Hubs (Back Row Inside + 3 mm)

#91520 Factory Team Aluminum Camber Link Mount (Low + 3 mm)

#91522 & 91524 Factory Team Aluminum "C" and "D" plate

Anti Roll Bar: None Black (1.2mm) Silver (1.3mm) Gold (1.4mm)

Rear Hub Link Setting:

A Up Down

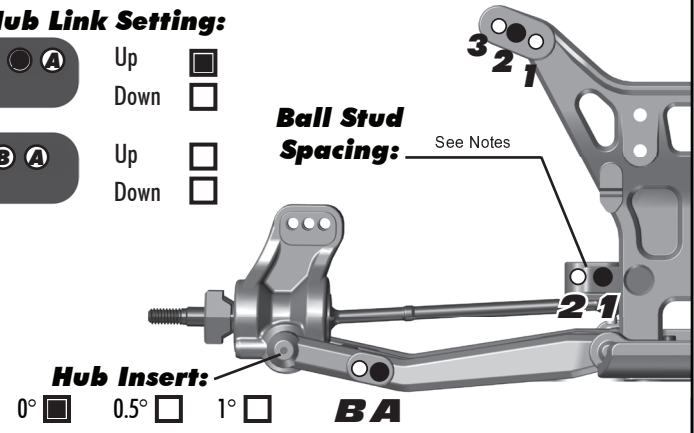
B Up Down



Arm Mount: 3

Inboard Toe: 3

Anti-Squat: 1



Electronics:

Radio: Airtronics M12 **Servo:** Airtronics

EPA Throttle: 100 % **Brake:** 92 %

ESC: Team Orion R10.1

ESC Settings: N/A

Motor: Team Orion VST2

Wind: 6.5 **Timing:** N/A

Pinion: 21 **Spur:** 78

Battery: Team Orion 4000 mAh Shorty

Battery Position: Back

Drivetrain:

Differential:

Ball:

Setting: Tight

Gear:

Oil:

Slipper Clutch:

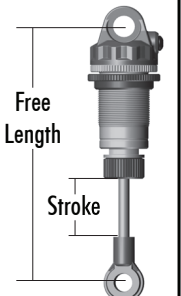
Type: Associated

of Pads: 2

Notes: #7485 V2 Slipper Plates

Shocks:

	Front	Rear
Piston:	3 x 1.4 Flat	2 x 1.6 Flat
Oil:	35	30
Spring:	Gray	White
Limiters:	2	2
Cup Offset:	5 mm	5 mm
Stroke:	20.5 mm	26.75 mm
Free Length:	N/A	N/A
Notes:	#91493 Factory Team Low Friction X-Rings	



Track Info:

Size: Small Medium Large Extra Large

Surfaces: Dirt Carpet Astroturf Multi Surface

Traction: Low Medium High Very High

Moisture: Dry Damp Wet

Condition: Indoor Outdoor Dusty Hard Packed Bumpy Grooved Smooth Loamy

Temperature: Ambient: 75 Track: 70

Notes: Minimum groove with dust outside; Dries out during the day

Tires:

Tires (F/R): AKA Pinstripes / AKA Typo

Compound (F/R): Clay / Clay

Insert (F/R): AKA Evo / AKA Evo

Wheel (F/R): AKA Evo / AKA Evo

Notes:

Body & Wing:

Body: JConcepts Silencer

Wing: JConcepts High Clearance 6.5"

Wing Angle: 0° 3° 6°

Notes: Wing lip cut to 2 lines

Race Results:

Qualify: 2 **Main:** A

Finish: 1 **TQ:**

Best Lap Time: 21.1

Vehicle Comments:

#91551 Factory Team Bearing Set; #91545 Factory Team Graphite Battery Strap; #91446 & 91447 Factory Team Shock Bushings; #91546 Factory Team Milled Motor Plate, Black;

Total Vehicle Weight: 1625g