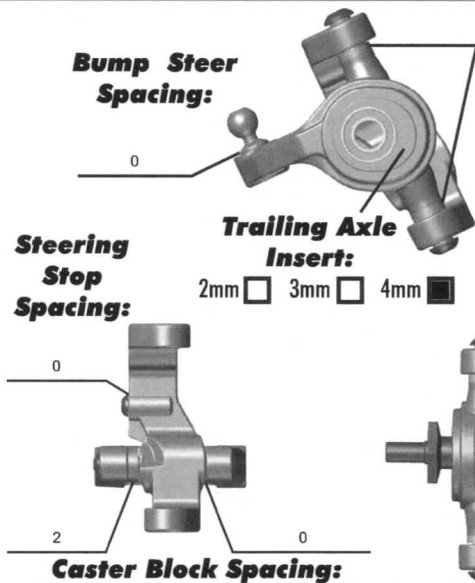


**Front Suspension:**

**Camber:** -1    
**Total Toe:** 0    
**Ride Height:** 24mm  
**Arm Type:** flat, composite  
**Tower Type:** flat arm, B5  
**Caster Block Insert:** 5 deg    
**Kick-Up Angle:** 25 deg

**Notes:** B5 flat arm and tower



**Axle Height:**  
Up   
Middle   
Down



**Ball Stud Spacing:** 1mm

**Rear Suspension:**

**Camber:** -1    
**Ride Height:** 23.5mm  
**Hub Spacing:** Forward  Middle  Back

**Notes:** B5 Rear Arm, Composite  
Aluminum Rear Hubs, 2mm spacing, "B" position  
Schelle prototype Inboard Mount, flipped with 2mm spacing

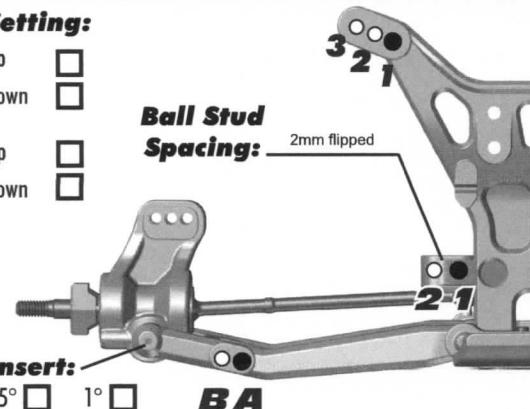
**Anti Roll Bar:**  
None   
Black (1.2mm)   
Silver (1.3mm)   
Gold (1.4mm)

**Rear Hub Link Setting:**  
**A** C A Up   
Down   
**B** B A Up   
Down



**Arm Mount:**  
**Inboard Toe:** 3    
**Anti-Squat:** 1

**Hub Insert:** 0°  0.5°  1°  **BA**



**Electronics:**

**Radio:** M11x **Servo:** AIR94661  
**EPA: Throttle:** 100% **Brake:** 75%  
**ESC:** LRP FLOW 3.3  
**ESC Settings:** 3-3-1-0-0-0  
**Motor:** Sonic 2 8.0 turn  
**Wind:** 8.0 **Timing:** 20  
**Pinion:** 22 **Spur:** 78  
**Battery:** Wolfpack Shorty  
**Battery Position:** Back

**Drivetrain:**

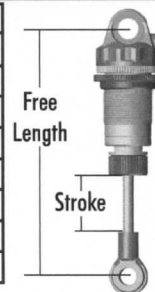
**Differential:**  
**Ball:**   
**Setting:** MED.  
**Gear:**   
**Oil:**

**Slipper Clutch:**

**Type:** Schelle Nova  
**# of Pads:** white, white, red  
**Notes:** Schelle Alum. Topshaft

**Shocks:**

	Front	Rear
<b>Piston:</b>	1.5-1.1, 4 hole	2x1.6
<b>Oil:</b>	32.5	27.5
<b>Spring:</b>	Avid Red	Avid Yellow
<b>Limiters:</b>	2.5	2
<b>Cup Offset:</b>	+5	+5
<b>Stroke:</b>	.800"	
<b>Free Length:</b>		
<b>Notes:</b>		



**Track Info:**

**Size:** Small  Medium  Large  Extra Large   
**Surfaces:** Dirt  Carpet  AstroTurf  Multi Surface   
**Traction:** Low  Medium  High  Very High   
**Moisture:** Dry  Damp  Wet   
**Condition:** Indoor  Outdoor  Dusty  Hard Packed   
Bumpy  Grooved  Smooth  Loamy

**Temperature:** Ambient: \_\_\_\_\_ Track: \_\_\_\_\_  
**Notes:** \_\_\_\_\_

**Tires:**

**Tires (F/R):** Dirt Web / Dirt Web  
**Compound (F/R):** Gold / Gold  
**Insert (F/R):** stock / AKA Red  
**Wheel (F/R):** Yellow / Yellow  
**Notes:** WD-40 sauce 1 heat before.

**Body & Wing:**

**Body:** JConcepts Silencer  
**Wing:** JConcepts  
**Wing Angle:** 0°  3°  6°   
**Notes:** \_\_\_\_\_

**Race Results:**

**Qualify:** 20 **Main:** c  
**Finish:** 19 **TQ:**   
**Best Lap Time:** \_\_\_\_\_

**Vehicle Comments:**

\_\_\_\_\_  
\_\_\_\_\_  
**Total Vehicle Weight:** 1575g