

Front Suspensions:

Camber: -1

Total Toe: 0

Ride Height: 23 mm

Arm Type: #91399 Flat, Hard

Tower Type: #91373 Flat, Standard

Caster Block Insert: 5

Kick-Up Angle: 25

Wheel Hex: #91411 Aluminum Axle

Notes: #91373 Standard Front Hinge Pin Brace

#91440 Standard Front Caster Blocks

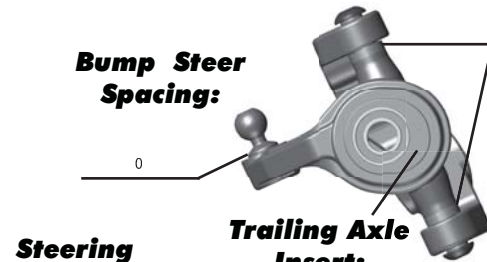
#91404 Standard Steering Blocks

#91362 Standard Top Plate

#91392 Aluminum Steering Set

#91512 Chassis Plate, Standard

#91514 Chassis Cradle, Standard



Axle Height:

Up

Middle

Down

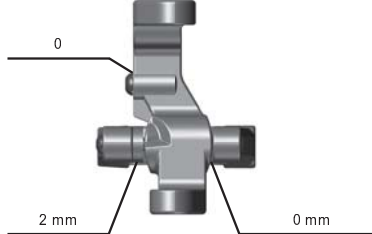


Steering Stop Spacing:

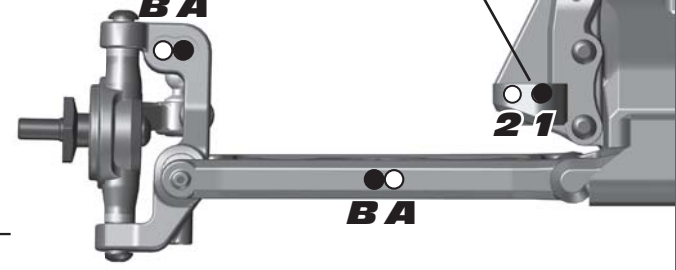
0

2mm 3mm 4mm

Ball Stud Spacing: 1.5 mm



Caster Block Spacing:



Rear Suspension:

Camber: -1

Ride Height: 23 mm

Wheel Hex: #91410 Clamping Hex 7.0mm

Hub Spacing:

Forward Middle Back

Notes: #91413 Rear Arms, Hard

#91548 Factory Team 0° Aluminum Hubs (Back Row Inside + 3 mm)

#91522 & #91524 Factory Team Aluminum Arm Mount (C) & (D)

#91518 Standard Rear Tower

Anti Roll Bar:

None

Black (1.2mm)

Silver (1.3mm)

Gold (1.4mm)

Rear Hub Link Setting:

A Up Down

B Up Down

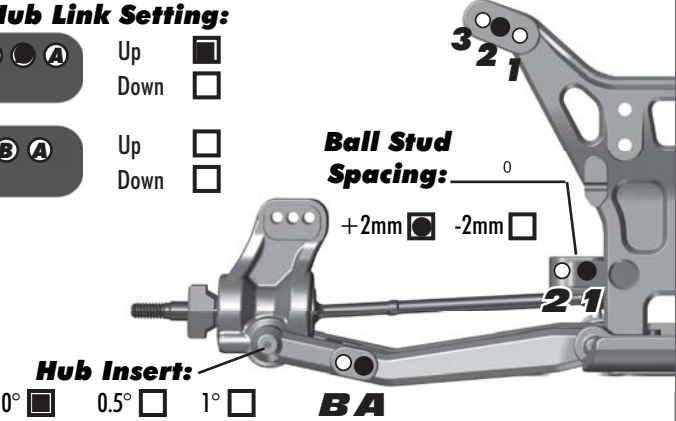


Arm Mount:

Inboard Toe: 3

Anti-Squat: 1

Insert (D): Arrow In



Electronics:

Radio: Airtronics M12 **Servo:** Reedy 1206

EPA Throttle: 100 % **Brake:** 90 %

ESC: Reedy Blackbox 410R

ESC Settings: See Spencer Rivkin Setup Sheet

Motor: Reedy Sonic Mach2

Wind: 17.5 **Timing:** 46°

Pinion: 30 **Spur:** 69

Battery: Reedy Lo-Pro 3900mAh #738

Battery Position: Middle

Drivetrain:

Differential:

3 Gear: **4 Gear:**

Ball Diff: **Gear Diff:**

Notes: Standard

Slipper Clutch:

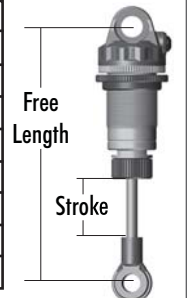
Type: Associated

of Pads: 2

Notes: Tight

Shocks:

	Front	Rear
Piston:	3 x 1.4 Flat	2 x 1.6 Flat
Oil:	30 wt	27.5 wt
Spring:	White	Green
Limiters:	1	1
Cup Offset:	5 mm	5 mm
Stroke:	21.0 mm	27.0 mm
Free Length:	N/A	N/A
Notes:	#91493 X-Rings; #91450 Aluminum Caps	



Track Info:

Size: Small Medium Large Extra Large

Surfaces: Dirt Carpet Astroturf Multi Surface

Traction: Low Medium High Very High

Moisture: Dry Damp Wet

Condition: Indoor Outdoor Dusty Hard Packed

Bumpy Grooved Smooth Loamy

Temperature: Ambient: 80° Track: 80°

Notes:

Tires:

Tires (F/R): JConcepts Dirt Webs 61mm / JConcepts Dirt Webs 61mm

Compound (F/R): Gold / Gold

Insert (F/R): Closed Cell / Closed Cell

Wheel (F/R): Team Associated Hex 61mm / Team Associated Hex 61mm

Notes:

Body, Wing & Chassis:

Body: Team Associated B5M Kit #91538

Wing: Team Associated B5M Kit #91471

Wing Angle: 0° 3° 6° Wing Lip Cut To Line

Chassis: #91510 - B5M #91511 - B5M Lite

Race Results:

Qualify: 2 **Main:** A

Finish: 2 **TQ:**

Best Lap Time: 19.3

Vehicle Comments:

#90000 B5M Factory Lite Kit; #91600 Factory Team Titanium Screw Kit;

Total Vehicle Weight: 1525g