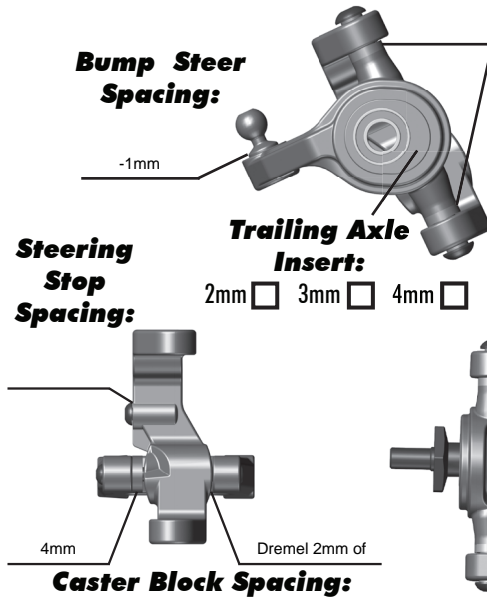


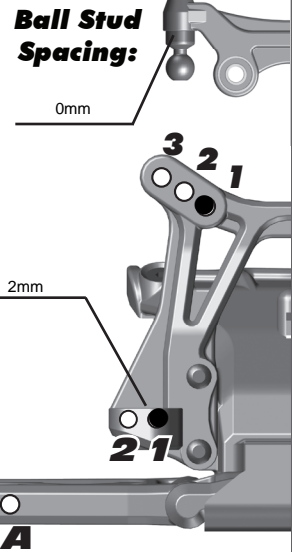
Front Suspensions:

Camber: _____ -2 _____ °
Total Toe: _____ 0 _____ °
Ride Height: _____ 18mm _____
Arm Type: _____ HARD B5m (Gullwings) _____
Tower Type: _____ B5m _____
Caster Block Insert: _____ 5 _____ °
Kick-Up Angle: _____ 25 _____ °
Wheel Hex: _____ STD ALU _____

Notes: _____ KICK UP Block in brass _____



Axle Height:
 Up
 Middle
 Down



Rear Suspension:

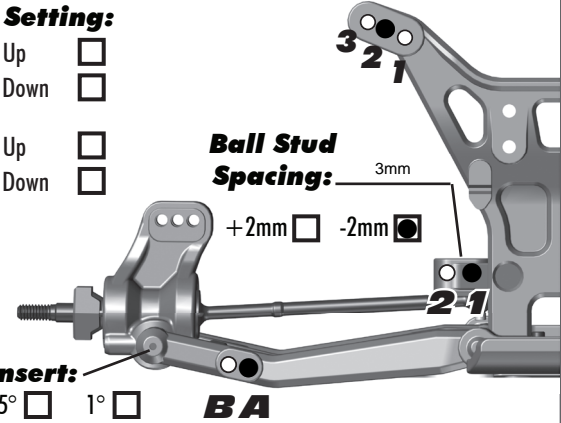
Camber: _____ -2 _____ °
Ride Height: _____ 18mm _____
Wheel Hex: _____ 5mm _____
Hub Spacing:
 Forward Middle Back

Notes: _____ ALU hum outside hole with 0mm shims _____

Anti Roll Bar:
 None
 Green (1.2mm)
 White (1.3mm)
 Blue (1.4mm)

Rear Hub Link Setting:
A C B A Up
 Down
B B A Up
 Down

Arm Mount:
 Inboard Toe: _____ 2.5 _____ °
 Anti-Squat: _____ 2 _____ °
 Insert (D): _____ <-- +4 --> _____ °



Electronics:

Radio: _____ M12 _____ **Servo:** _____ REEDY _____
EPA: Throttle: _____ 100 % **Brake:** _____ 91 %
ESC: _____ REEDY _____
ESC Settings: _____
Motor: _____ REEDY _____
Wind: _____ 6.5 _____ **Timing:** _____ 29 _____
Pinion: _____ 24 _____ **Spur:** _____ 81 _____
Battery: _____ REEDY _____
Battery Position: _____ FORWARD _____

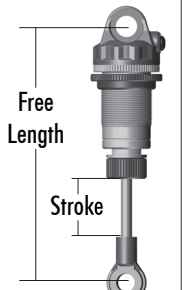
Drivetrain:

Differential:
3 Gear: **4 Gear:**
Ball Diff: **Gear Diff:**
Notes: 5000 wt oil in diff with only 2 small gear and low rider gear box

Slipper Clutch:
Type: _____
of Pads: _____
Notes: _____

Shocks:

	Front	Rear
Piston:	2x1.6	2x1.7
Oil:	37.5wt	35wt
Spring:	Black Yatabe	Green Yatabe
Limiters:	2	2
Cup Offset:	+5	+0
Stroke:	21.25mm	27.25mm
Free Length:		
Notes:		



Track Info:

Size: Small Medium Large Extra Large
Surfaces: Dirt Carpet Astroturf Multi Surface
Traction: Low Medium High Very High
Moisture: Dry Damp Wet
Condition: Indoor Outdoor Dusty Hard Packed
 Bumpy Grooved Smooth Loamy
Temperature: Ambient: _____ **Track:** _____ Worlds track _____
Notes: _____

Tires:

Tires (F/R): _____ RIB Stagger _____ / _____ Mini spike 2 _____
Compound (F/R): _____ yellow _____ / _____ yellow _____
Insert (F/R): _____ nono _____ / _____ Handout (Schumacher) _____
Wheel (F/R): _____ AE _____ / _____ AE _____
Notes: _____

Body, Wing & Chassis:

Body: _____ JConcepts Low Rider _____
Wing: _____ JConcepts 6.5" _____
Wing Angle: 0° 3° 6°
Chassis: #91510 - B5M #91511 - B5M Lite

Race Results:

Qualify: _____ 8th _____ **Main:** _____ C _____
Finish: _____ 5th _____ **TQ:**
Best Lap Time: _____

Vehicle Comments:

Total Vehicle Weight: _____