

Front Suspension:

Reset Forms

Camber: 1.5

Total Toe: 0

Ride Height: 20 _____

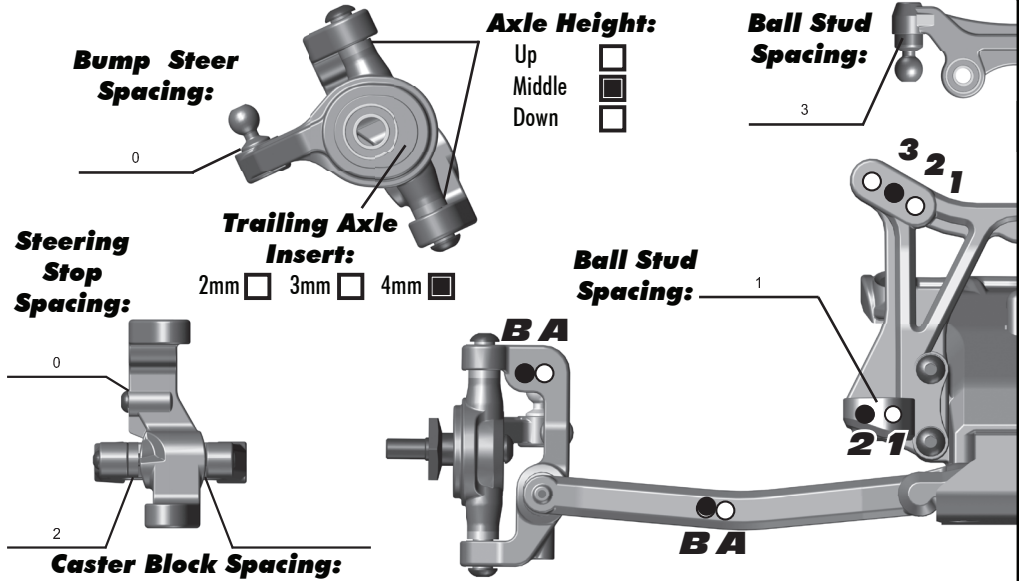
Arm Type: Gull standard _____

Tower Type: Gull Standard _____

Caster Block Insert: 5

Kick-Up Angle: 25

Notes: Ghea Brass bulk head



Rear Suspension:

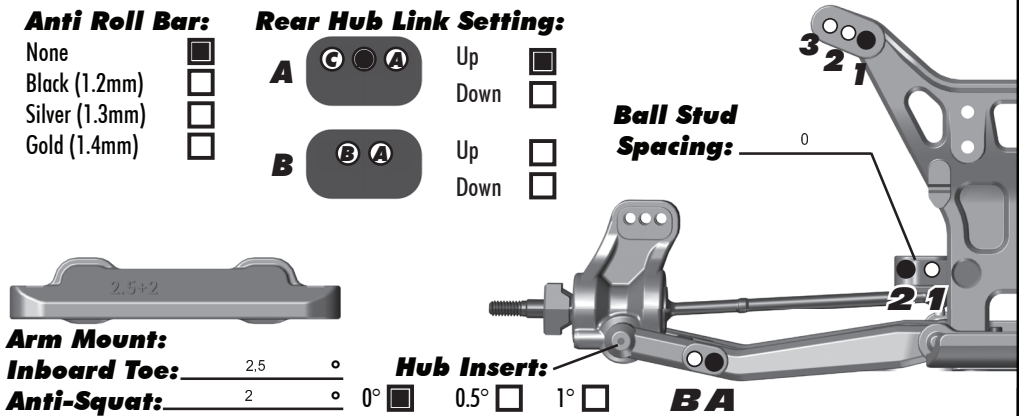
Camber: 1.5

Ride Height: 21 _____

Hub Spacing: Forward Middle Back

Notes: Alloy centre brace, low setting

The day started in dry conditions to wet in the finals



Electronics:

Radio: Sanwa M12 **Servo:** Savox 1258

EPA: Throttle: % **Brake:** %

ESC: Hobby Wing V3.1

ESC Settings: No timing / boost

Motor: Reedy

Wind: 7.5 **Timing:** _____

Pinion: _____ **Spur:** 81

Battery: Reedy Saddle packs

Battery Position: forward

Drivetrain:

Differential: Ball: Setting: tight

Gear:

Oil: _____

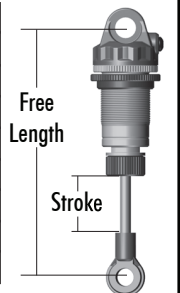
Slipper Clutch: Type: Standard

of Pads: 3

Notes: _____

Shocks:

	Front	Rear
Piston:	2x1,6	2x1,7
Oil:	AE 35	AE 30
Spring:	Losi Green	Losi Yellow
Limiters:	2	2
Cup Offset:	std	std
Stroke:	21,3	27,7
Free Length:		
Notes:		



Track Info:

Size: Small Medium Large Extra Large

Surfaces: Dirt Carpet Astroturf Multi Surface

Traction: Low Medium High Very High

Moisture: Dry Damp Wet

Condition: Indoor Outdoor Dusty Hard Packed Bumpy Grooved Smooth Loamy

Temperature: Ambient: _____ Track: _____

Notes: _____

Tires:

Tires (F/R): Schumacher Cut stagger / Schumacher MiniPin / Ballistic Mini Pin

Compound (F/R): Yellow / Silver / Yellow / Green

Insert (F/R): none / Schumacher U6738 / Schumacher U6734 / BB Hard

Wheel (F/R): AE / AE

Notes: Dry / Wet

Body & Wing:

Body: AE

Wing: Jconcepts

Wing Angle: 0° 3° 6°

Notes: _____

Race Results:

Qualify: 1 **Main:** A

Finish: 1 st. **TQ:**

Best Lap Time: _____

Vehicle Comments:

Total Vehicle Weight: _____