

Front Suspension:

Reset Forms

Camber: 1.5

Total Toe: 0

Ride Height: 17mm

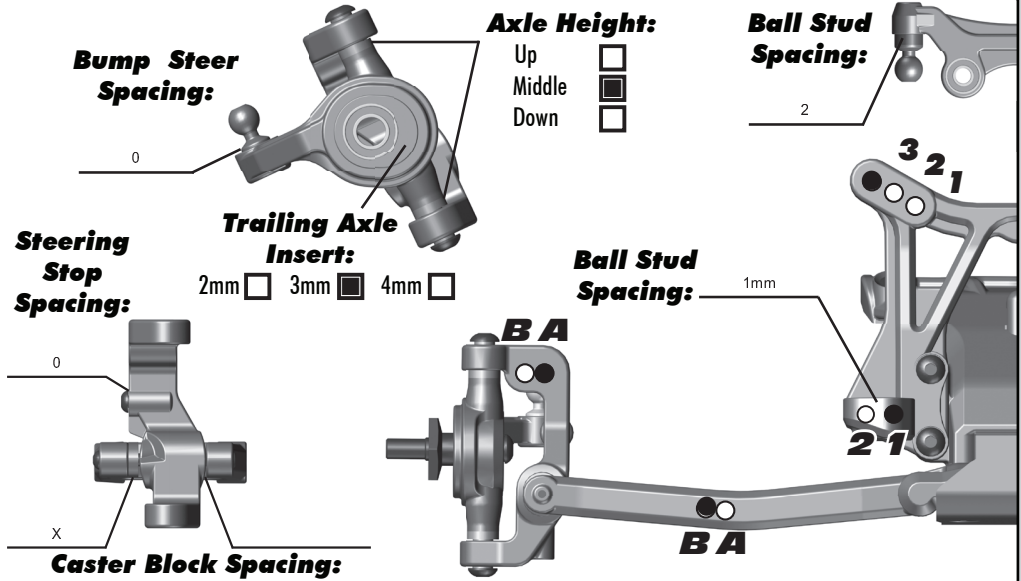
Arm Type: B5M

Tower Type: B5

Caster Block Insert: 5

Kick-Up Angle: 25

Notes:



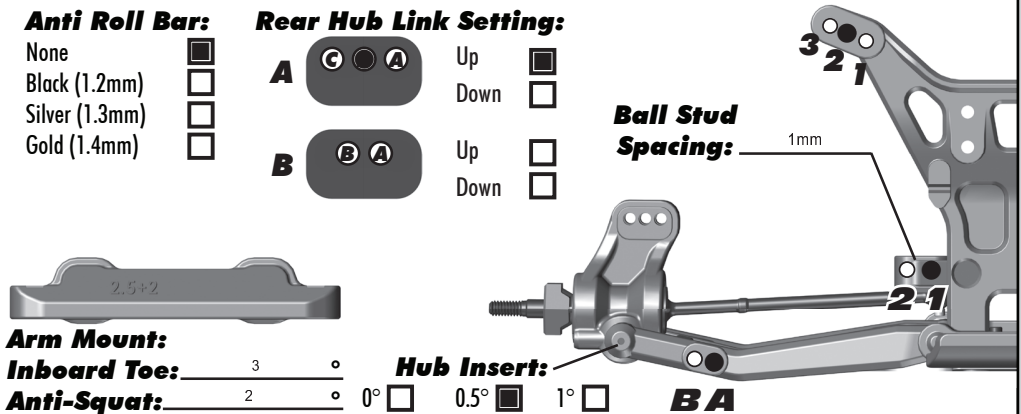
Rear Suspension:

Camber: 1.5

Ride Height: 17mm

Hub Spacing: Forward Middle Back

Notes:



Electronics:

Radio: M12 **Servo:** Savox 1258

EPA: Throttle: % **Brake:** %

ESC: Hobbywing V3.1

ESC Settings:

Motor: Reedy

Wind: 7.0 **Timing:** 20

Pinion: 24 **Spur:** 81

Battery: Shorty Gens Ace

Battery Position: Back

Drivetrain:

Differential: Ball: Setting: Tight 1/8 off

Gear:

Oil:

Slipper Clutch:

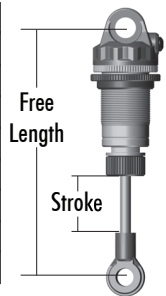
Type: Standard

of Pads:

Notes:

Shocks:

	Front	Rear
Piston:	2x1,6 flat	2x1,6 flat
Oil:	35	32,5
Spring:	Grey	Green
Limiters:	2	2
Cup Offset:	medium	medium
Stroke:	21,3	27,7
Free Length:		
Notes:		



Track Info:

Size: Small Medium Large Extra Large

Surfaces: Dirt Carpet Astroturf Multi Surface

Traction: Low Medium High Very High

Moisture: Dry Damp Wet

Condition: Indoor Outdoor Dusty Hard Packed Bumpy Grooved Smooth Loamy

Temperature: Ambient: 15 deg. C. **Track:** ORCM Indoor

Notes: Testing

Tires:

Tires (F/R): Schumacher Cut Stagger U6770 / Schumacher Mini Pin U6608

Compound (F/R): Yellow / Yellow

Insert (F/R): none / Schumacher Medium U6734

Wheel (F/R): AE / AE

Notes:

Body & Wing:

Body: Standard

Wing: B44.2

Wing Angle: 0° 3° 6°

Notes:

Race Results:

Qualify: **Main:**

Finish: **TQ:**

Best Lap Time:

Vehicle Comments:

Notes:

Total Vehicle Weight: 1553g