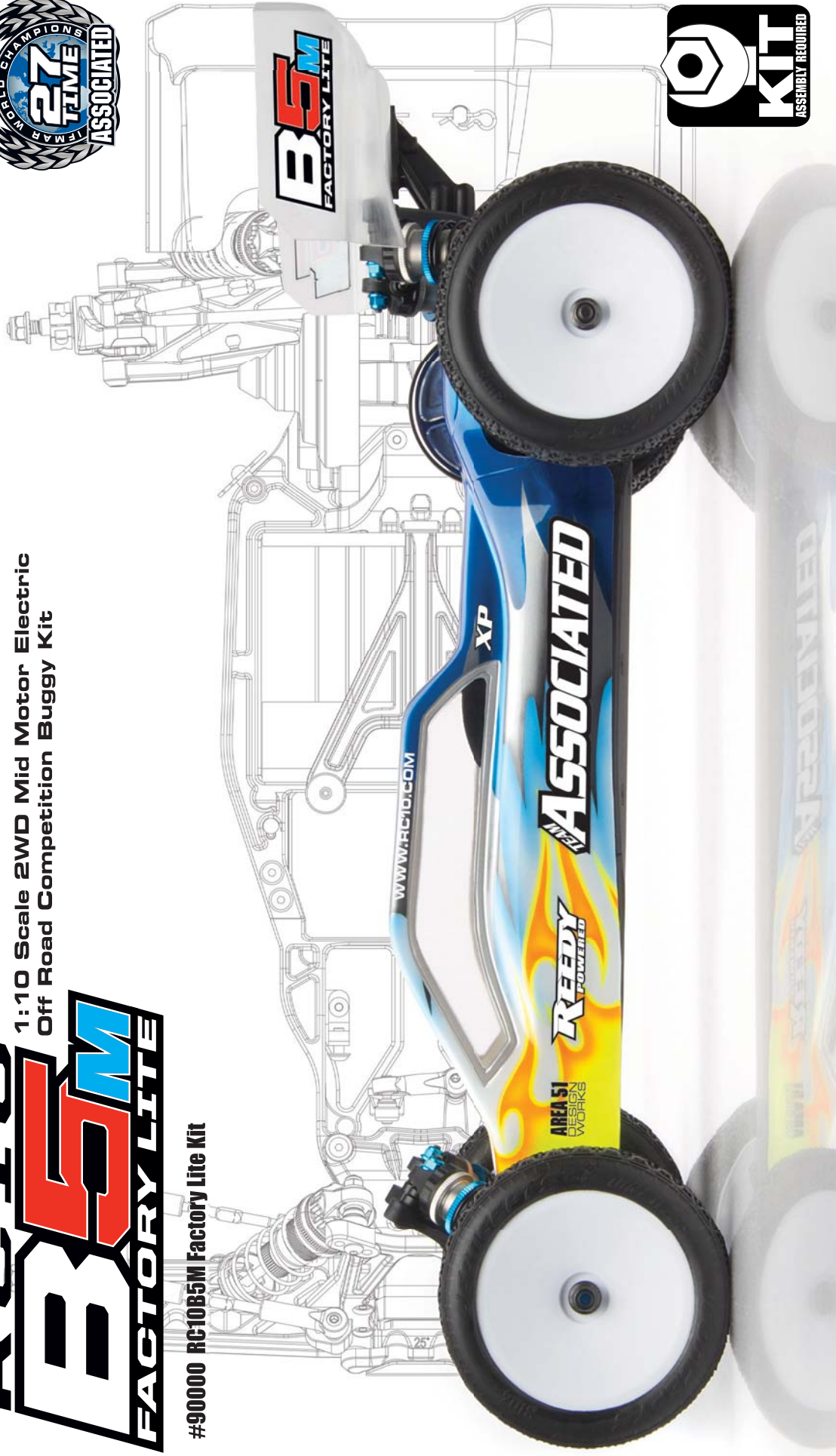


# RC10 **B5M** FACTORY LITE

1:10 Scale 2WD Mid Motor Electric  
Off Road Competition Buggy Kit

#90000 RC10B5M Factory Lite Kit



1:10 Scale Electric 2WD Mid Motor Off Road Buggy Kit Manual & Catalog

# TEAM ASSOCIATED



Designed in California, USA

## :: Introduction

Thank you for purchasing this Team Associated product. This assembly manual contains instructions and tips for building and maintaining your new RC10B5M Factory Lite Team Kit. Please take a moment to read through this manual to help familiarize yourself with these steps.

We are continually changing and improving our designs; therefore, actual parts may appear slightly different than in the illustrations. New parts will be noted on supplementary sheets located in the appropriate parts bags. Check each bag for these sheets before you start to build.

## :: KIT Features

Features in the RC10B5M Factory Lite Team Kit:

- Light weight hard anodized aluminum chassis with centralized mass and mid-motor position for improved handling on high grip off road tracks
- Chassis fits R.O.A.R. approved 2S saddle packs and 2S short packs using optional foam insert
- V2 12mm "Big Bore" threaded aluminum shocks with 3mm shafts and updated O-rings for improved smoothness
- New 3 gear transmission for lower rotating mass and extra acceleration with light weight V2 aluminum top shaft included
- Aluminum rear ball stud mount for added strength
- Aluminum rear clamping hex with laser etching
- Heavy-duty rear axle for added strength
- Light weight aluminum front axle/hex adapter and larger front wheel bearing for added durability
- Updated full bearing steering system with horizontal ball studs for finer Ackermann adjustments
- Heavy-duty ball cups and ball studs allow for maximum suspension travel while reducing binding and friction
- Factory Team upgraded ball bearing kit and titanium turnbuckles included
- Rear hubs feature larger bearings and the easy insert system to adjust camber link position and rear toe-in
- Team Associated B5M clear body and wing included

## :: Additional

Your new B5M Factory Lite Team Kit comes unassembled and requires the following items for completion (refer to catalog section for suggestions):

- R/C two channel surface frequency radio system
- AA-size batteries for transmitter (#302 alkaline)
- Electronic Speed Control, ESC (#29140, #29143, #27000, #27001)
- Steering servo (#29166, #29167) • R/C electric motor
- Pinion gear (48P), size determined by type/wind of motor
- Battery charger (a peak detection charger, or LiPo compatible charger)
- 2 cell LiPo battery pack (#310, 314, 317, 602, 737, 738)
- Lexan specific spray paint

- Cyanacrylate glue (#1597)
- Thread locking compound (#1596)
- Tires and Inserts, Fronts and Rears
- Wheels w/12mm Hex  
Front Wheels #9690, #9691, #91572, #91573  
Rear Wheels #9695, #9696, #91570, #91571

Tools included:

- Allen wrenches 1.5mm, 2.0mm
- #1113 12mm Shock Tool
- Multi-wrench

## :: Other Helpful Items

- Silicone Shock Fluid (Refer to catalog for complete listings)
- Body Scissors (AE Part # 1737)
- FT Hex Wrenches (AE Part # 1655)
- Soldering Iron
- Reamer / Hole Punch
- Needle Nose Pliers
- Calipers or a Precision Ruler
- Wire Cutters
- Multi Tool (AE Part #7494)
- Green Slime shock lube (AE Part # 1105)
- Hobby Knife
















**Associated Electrics, Inc.**  
26021 Commercentre Dr.  
Lake Forest, CA 92630





**Customer Service**  
Tel: 949.544.7500  
Fax: 949.544.7501

**:: Hardware - 1:1 Scale View**







**Button Head (bhcs)**

-  **2x4mm (31510)**  
**Aluminum (8545)**
-  **2.5x6mm (31520)**
-  **2.5x8mm (31521)**
-  **3x4mm (91158)**
-  **3x5mm (31530)**
-  **3x6mm (31531)**  
**Aluminum (8550)**  
**Titanium (91580)**
-  **3x8mm (31532)**  
**Aluminum (8552)**  
**Titanium (91581)**
-  **3x10mm (25211)**  
**Aluminum (8554)**  
**Titanium (91582)**
-  **3x12mm (89202)**  
**Titanium (91583)**
-  **3x14mm (25187)**  
**Titanium (91584)**
-  **3x16mm (89203)**  
**Titanium (91585)**
-  **3x18mm (2308)**
-  **3x22mm (25189)**  
**Titanium (91588)**
-  **3x24mm (89204)**  
**Titanium (91589)**
-  **3x30mm (91478)**

**Cap Head (shcs)**

-  **1.6 x 5mm (91611)**
-  **2.5 x 8mm (89222)**



**Flat Head (fhcs)**

-  **3x8mm (25201)**  
**Aluminum (8553)**  
**Titanium (91592)**
-  **3x10mm (25202)**  
**Aluminum (8555)**  
**Titanium (91593)**
-  **3x12mm (25203)**  
**Aluminum (8556)**  
**Titanium (91594)**
-  **3x14mm (89208)**  
**Aluminum (8567)**  
**Titanium (91595)**
-  **3x16mm (25204)**  
**Titanium (91596)**
-  **3x18mm (89209)**  
**Titanium (91597)**

**Set Screws**

-  **3x3mm (25225)**
-  **3x8mm (4670)**
-  **3x16mm (4689)**

**Shims and Washers**

-  **Servo Mount Washer (7337)**  
**(.250 x .125 x .815)**
-  **FT Ballstud Washer, Aluminum**  
**(1mm and 2mm, 4 each) (31286)**






**Diff Balls**

-  **5/64 Diff Thrust Balls (6574)**
-  **3/32 Carbide Diff Balls (6581)**
-  **3/32 Ceramic Diff Balls (6584)**






**Clips**

-  **E-clip 1/8 (6299)**



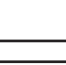
**Ball Bearings**

-  **3x7x3mm (91475)**
-  **5x8mm (31400)**
-  **5x10x4mm (25237)**
-  **6x13x5 (91476)**
-  **10x15x4 (25616)**

**Ballstuds**

-  **HD 4mm (91451)**  
**Ti Nitride HD 4mm (91452)**
-  **HD 6mm (91047)**  
**Ti Nitride HD 6mm (91118)**
-  **HD 8mm (91048)**  
**Ti Nitride HD 8mm (91119)**
-  **HD 10mm (91049)**  
**Ti Nitride HD 10mm (91120)**
-  **HD 12mm (91050)**  
**Ti Nitride HD 12mm (91121)**

**Nuts (lock/plain)**

-  **M3 Nut (91477)**
-  **M3 Alum. Locknut, Blue (31550)**
-  **M3 Locknut, Black (25215)**
-  **M3 Locknut w/Flange (25612)**
-  **FT 3mm Locknuts, Blue(25392)**
-  **M4 Locknut w/Flange (91148)**
-  **FT M4 Locknuts w/Flange,**  
**Blue (31551)**

**Notes:**

**:: Table of Contents**

1.....	Cover	12 - 13.....	Turnbuckles Build (Bag H)
2.....	Introduction	13 - 15.....	Shocks Build (Bag HI)
3.....	1:1 Hardware “Fold Out”	15 - 17.....	Electronics Build (Bag J)
4.....	Table of Contents	17 - 18.....	Wheels, Tires, and Body Build (Bag K)
5 - 6.....	Front Top Plate and Steering Build (Bag A-AA)	19 - 21.....	Tuning Tips
6 - 7.....	Front Arms and Uprights Build (Bag B)	22 - 30.....	Catalog
7 - 8.....	Shock Towers and Rear Chassis Brace Build (Bag C)	31.....	Notes / Contact Info
9.....	Differential Build (Bag D-DD)	32.....	Setup Sheet “Kit Setup”
10.....	Gearbox Build (Bag E)	33.....	Setup Sheet “Blank”
10 - 11.....	Slipper Build (Bag F-FF)	34.....	Back Cover
11 - 12.....	Rear Hub and CVA Build (Bag G-GG)		

**:: Notes**

***This symbol indicates a special note or instruction in the manual.***



***This symbol indicates a Racers Tip.***



***Scanning this QR code will take you to Team Associated’s Tech Tips videos. These videos will help you with your build and setup!***



***There is a 1:1 hardware foldout page in the front of the manual. To check the size of a part, line up your hardware with the correct drawing until you find the exact size. Each part in the foldout has a number assigned to it for ordering replacement parts.***

**Associated Electrics, Inc.  
26021 Commercentre Dr.  
Lake Forest, CA 92630**



**Customer Service  
Tel: 949.544.7500  
Fax: 949.544.7501**

**<http://www.TeamAssociated.com> • <http://www.RC10.com> • [http://twitter.com/Team\\_Associated](http://twitter.com/Team_Associated) • <http://bit.ly/AEonFacebook>**



**:: Front Top Plate and Steering Build - Bag A - AA - Step 1**

**5407**  $\times 2$   
**Red O-Ring**

**91048**  $\times 2$   
**Heavy-duty Ballstud, 8mm**

**91475**  $\times 4$   
**3 x 7 x 3 Ball Bearing**

**91391**  
**Steering Rack**

**91391**  
**Steering Bellcrank Brace**

**91047**  
**Heavy-duty Ballstud, 6mm**

**89202**  $\times 2$   
**M3 x 12mm BHCS**

**31286**  $\times 2$   
**FT Ballstud Washer, aluminum (2mm)**

Note orientation of steering rack.

Do not overtighten steering bolts. Make sure there is free movement in the steering rack.

**:: Front Top Plate and Steering Build - Bag A - AA - Step 2**

**91475**  $\times 4$   
**3 x 7 x 3 Ball Bearing**

**91391**  
**Steering Bellcrank Brace**

**25189**  $\times 2$   
**M3 x 22mm BHCS**

**91362**  
**B5 Top Plate**

Note orientation of the brace.

**:: Front Top Plate and Steering Build - Bag A - AA - Step 3**

**91512**  
**RC10B5M Front Chassis Plate**

**91511**  
**RC10B5M Factory Life Chassis**

**25202**  $\times 4$   
**M3 x 10mm FHCS**

**91514**  
**RC10B5M Chassis Cradle**

**25201**  $\times 6$   
**M3 x 8mm FHCS**

Remove any flashing material from part #91512 to ensure a smooth fit to part #91514.

**:: Front Top Plate and Steering Build - Bag A - AA - Step 4**

**91364 Bulkhead (25°)**

**25202 X2 M3 x 10mm FHCS**

**25204 X2 M3 x 16mm FHCS**

**!** There are two bulkheads included (25°, 30°). 25° is the standard one used.

**:: Front Arms and Uprights Build - Bag B - Step 1**

**31530 M3 x 5mm BHCS**

**#1596 thread lock**

**91047 Heavy-duty Ballstud, 6mm**

**91404 Steering Block**

**91404 X2 Steering Block Insert (2-4)**

**91407 Front Axle Crush Tube**

**91411 Aluminum Front Axles**

**91560 X2 5 x 10 x 4 Bearing**

**25215 M3 Locknut, black**

**Trailing Axle Inserts**

**!** There are multiple options for the trailing axle inserts. 4mm is the standard setting. Make sure the arrow is pointing forward for your desired selection. Also make sure both the right and left sides are on the same setting.

**Build 2 (1 left, 1 right)**

**:: Front Arms and Uprights Build - Bag B - Step 2**

**!** There are two caster block inserts included (0°, 5°). 5° is the standard one used.

**91049 Heavy-duty Ballstud, 10mm**

**25215 M3 Locknut, black**

**91400 Caster Block Insert (5°)**

**31520 M2.5 x 6mm BHCS (not included in kit)**

**91400 Caster Block**

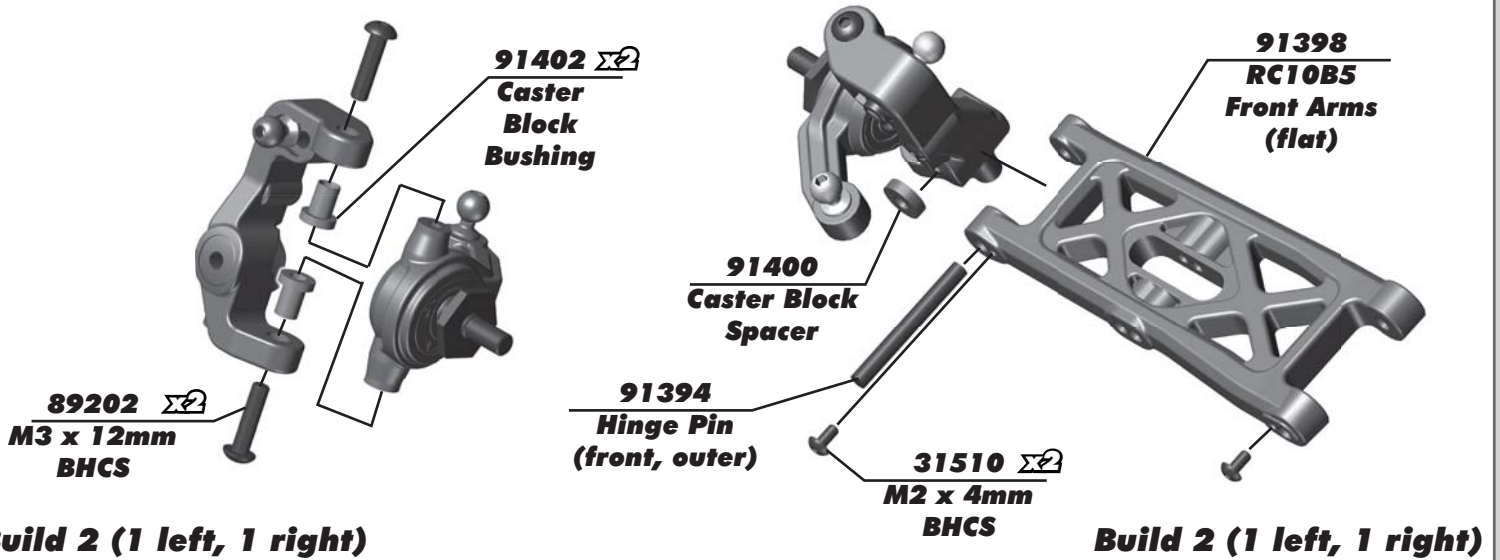
**4670 M3 x 8mm Set Screw (not included in kit)**

You can install an optional #31520 screw to use as a steering stop setting.

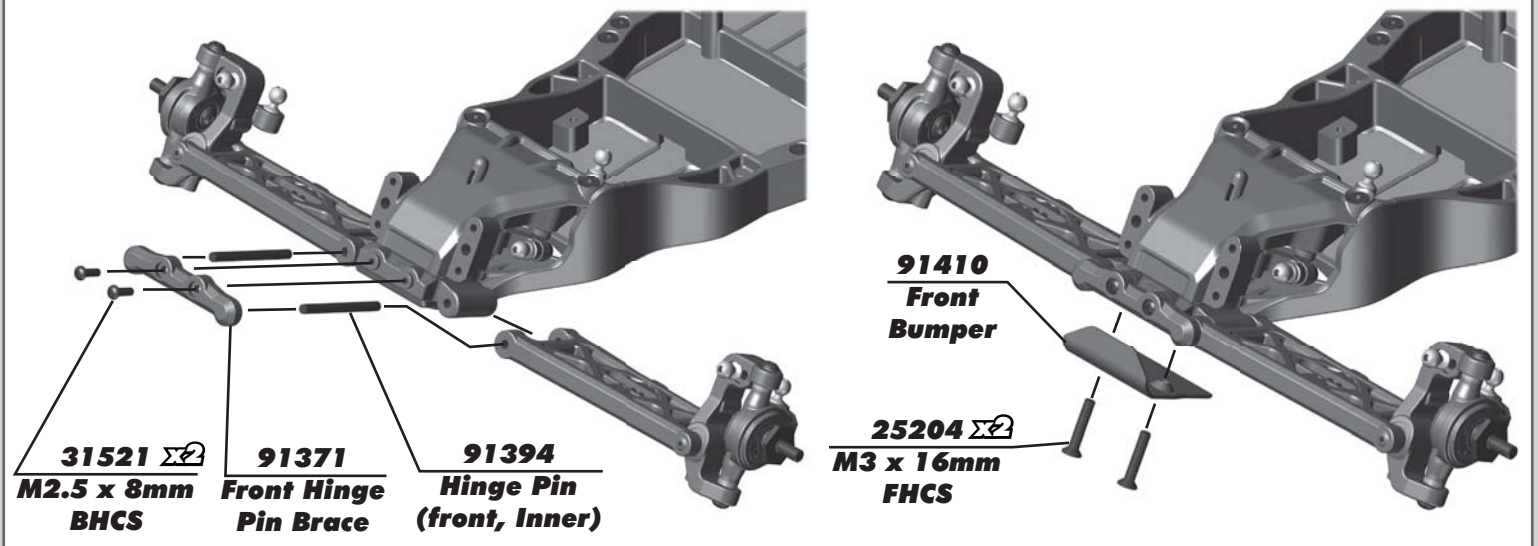
You can install an optional #4670 set screw to better hold the caster block inserts and hinge pin.

**Build 2 (1 left, 1 right)**

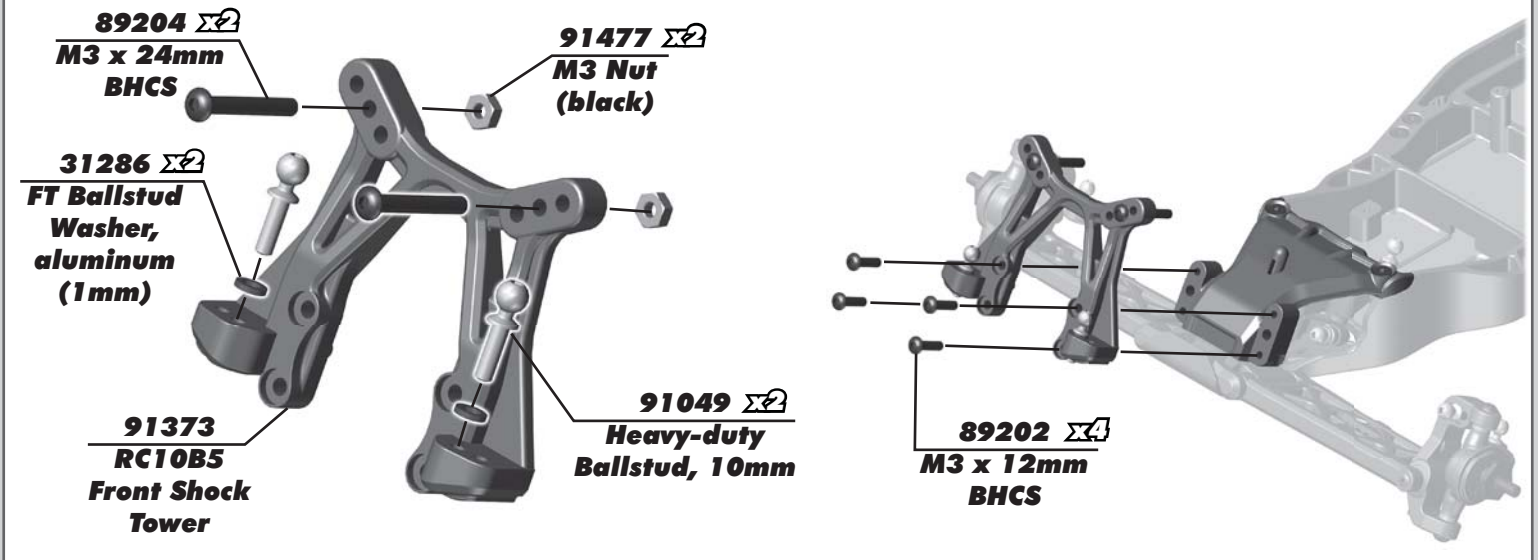
### :: Front Arms and Uprights Build - Bag B - Step 3



### :: Shock Towers and Rear Chassis Brace Build - Bag C - Step 1

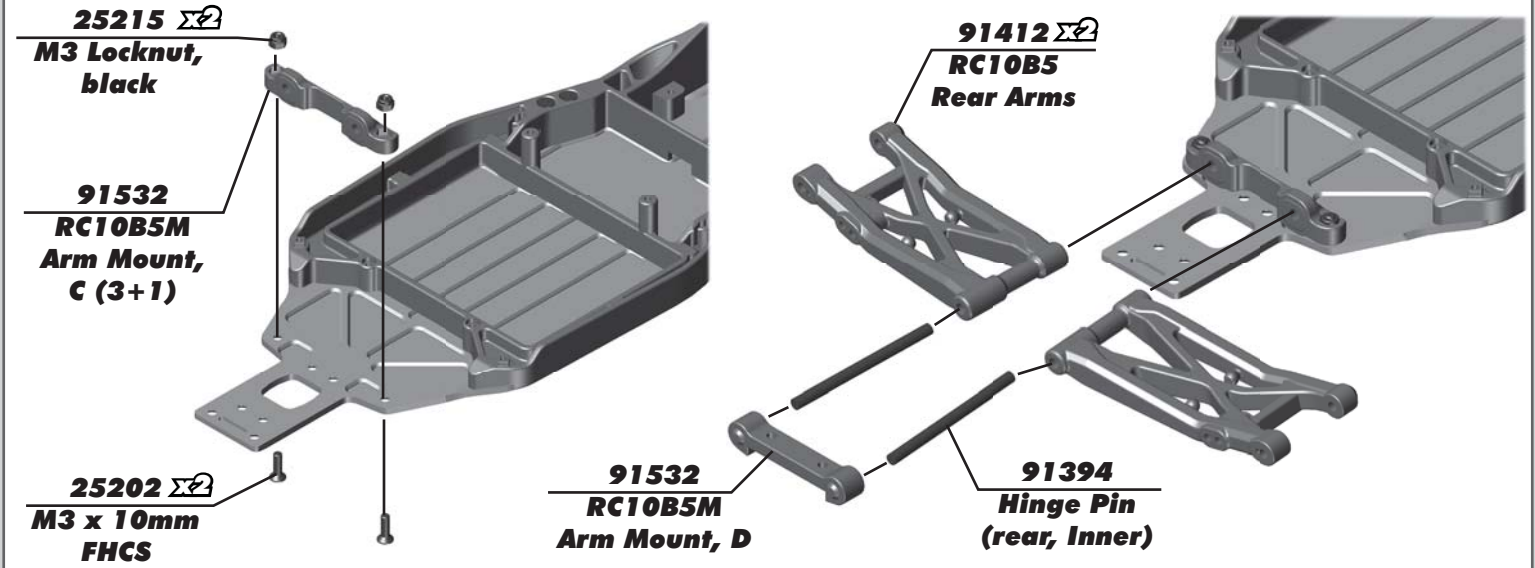


### :: Shock Towers and Rear Chassis Brace Build - Bag C - Step 2

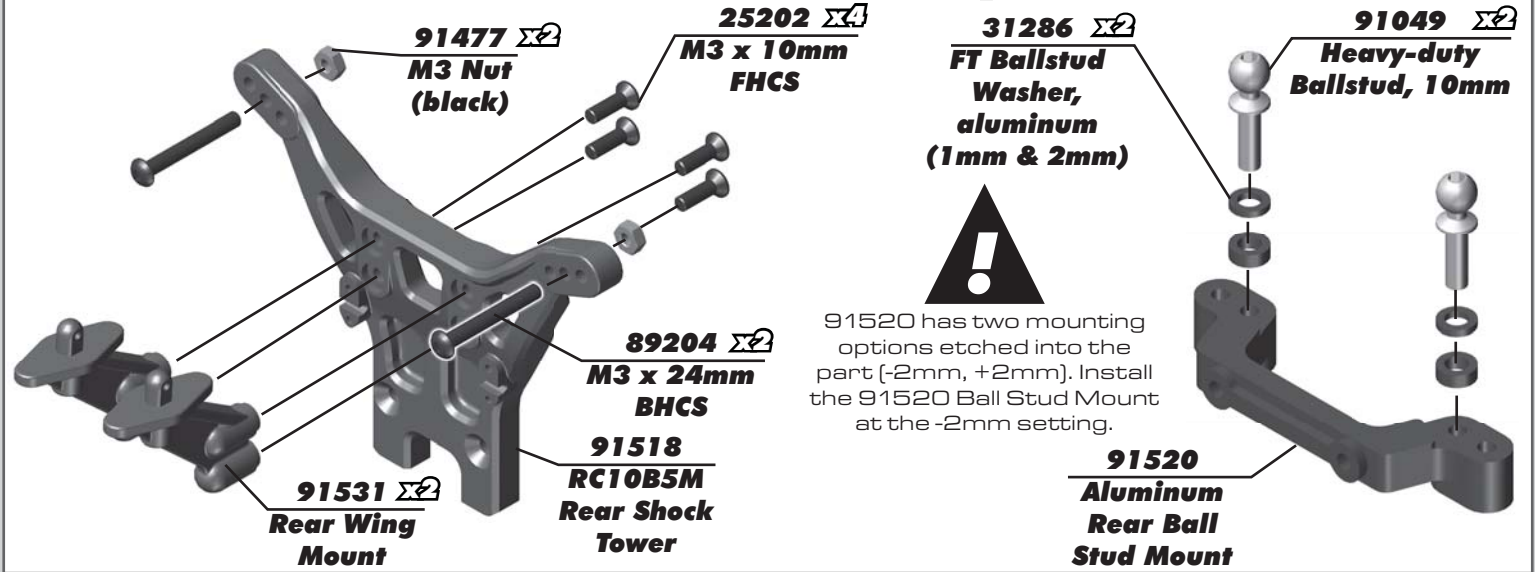




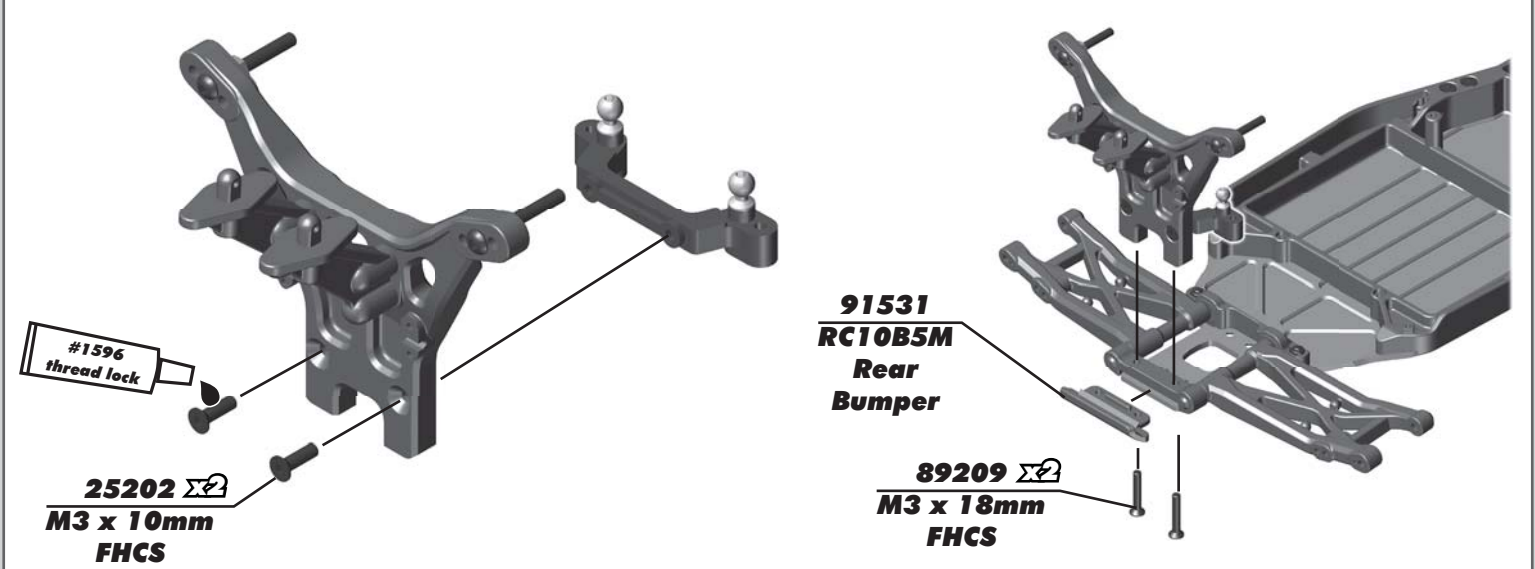
**:: Shock Towers and Rear Chassis Brace Build - Bag C - Step 3**



**:: Shock Towers and Rear Chassis Brace Build - Bag C - Step 4**

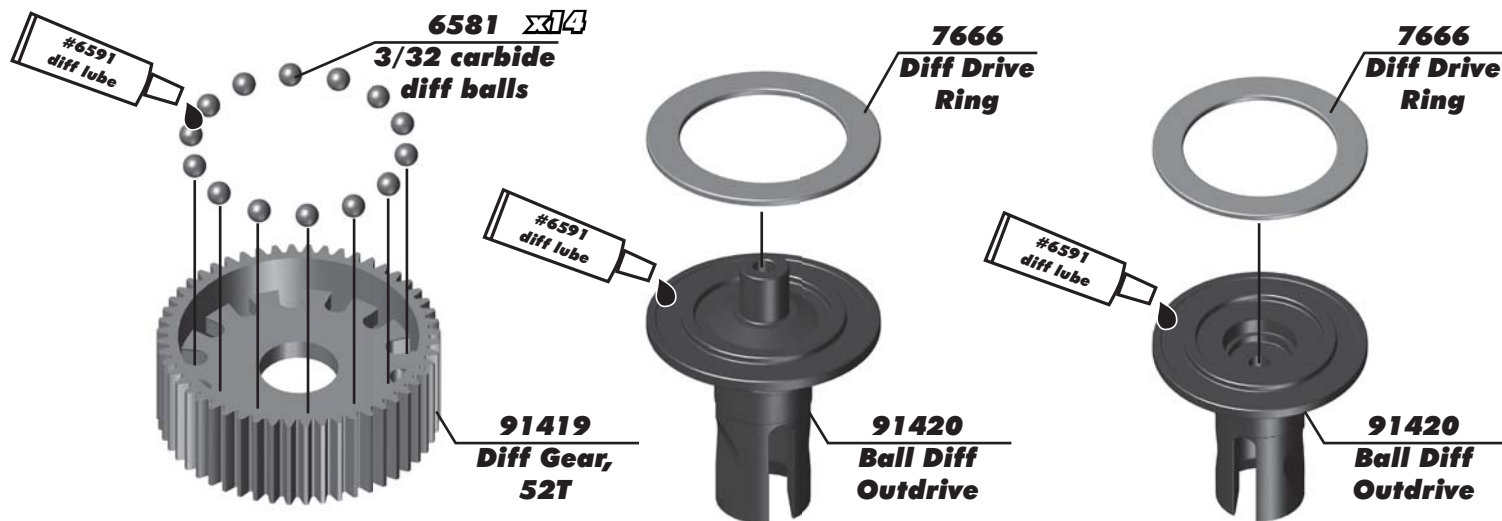


**:: Shock Towers and Rear Chassis Brace Build - Bag C - Step 5**





**:: Differential Build - Bag D - DD - Step 1**



**:: Differential Build - Bag D - DD - Step 2**



**:: Differential Build - Bag D - DD - Step 3**

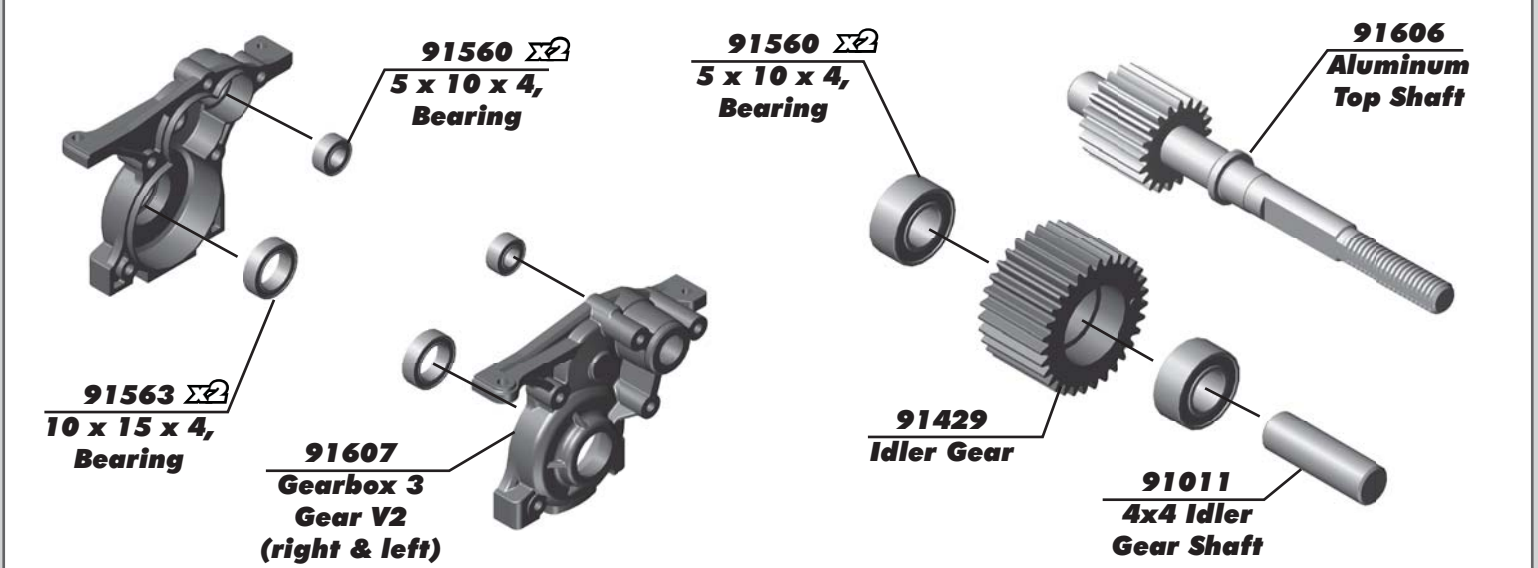
**!**  
Compress spring first.



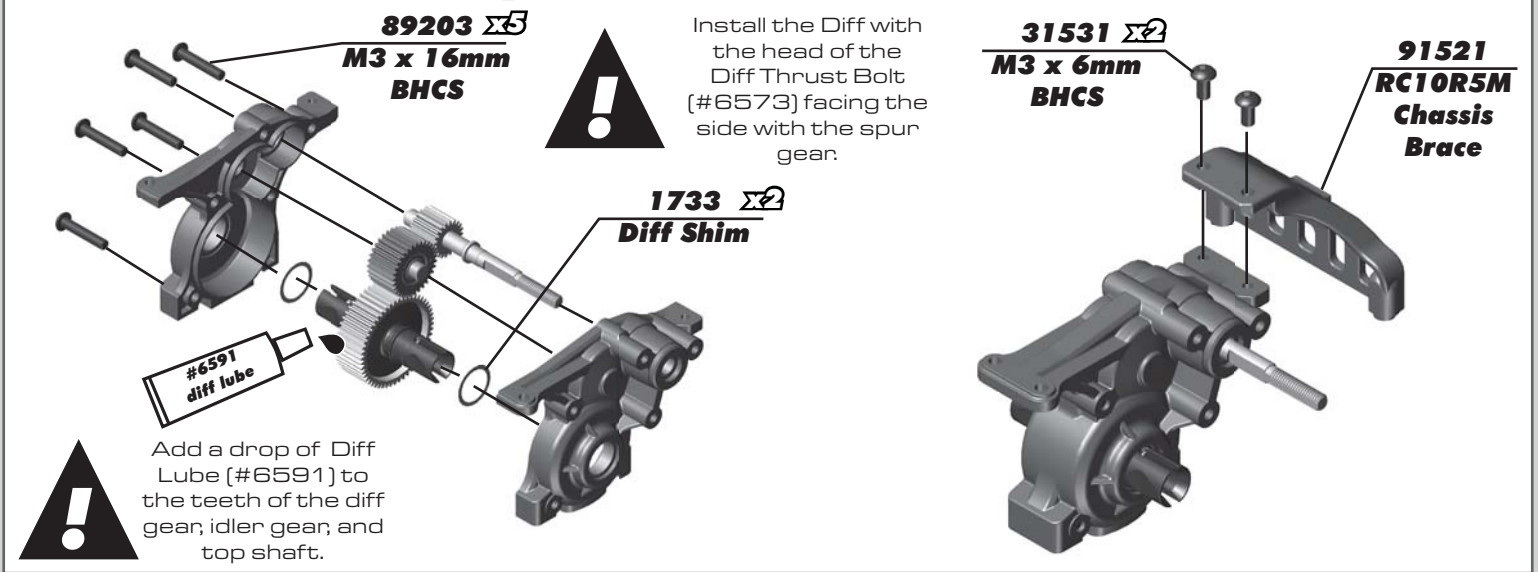
As you tighten the diff bolt, you will notice the T-nut ears moving closer to the bottom of the outdrive slot. This compresses the spring behind the T-nut. The spring should be completely compressed at the same time the T-nut reaches the end of the slot. Caution! Pay close attention to the feeling when the spring is completely compressed. Do not overtighten the bolt. When you feel the spring completely compressed, loosen the diff bolt 1/8" of a turn. Your diff should now operate smoothly with resistance as the outdrives move in opposite directions. After you have driven the car once, re-check the diff setting.



**:: Gearbox Build - Bag E - Step 1**



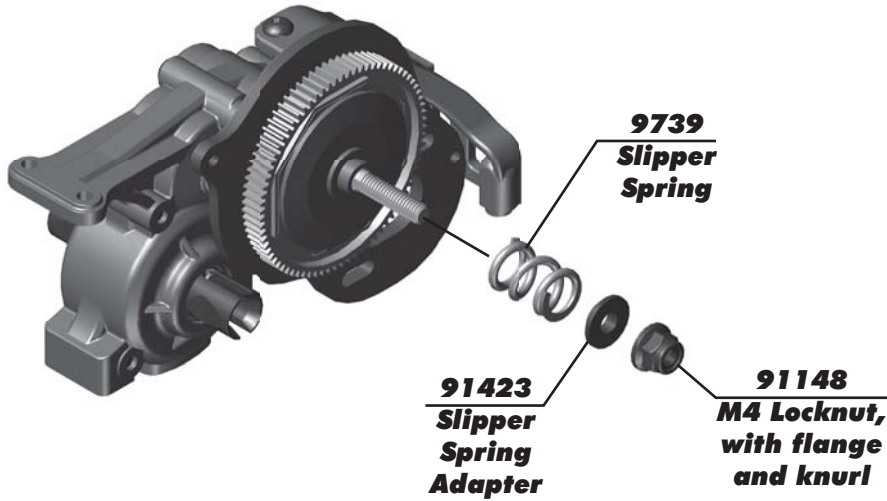
**:: Gearbox Build - Bag E - Step 2**



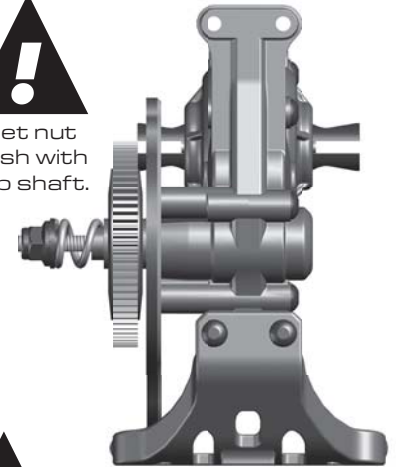
**:: Slipper Build - Bag F - FF - Step 1**



**:: Slipper Build - Bag F - FF - Step 2**

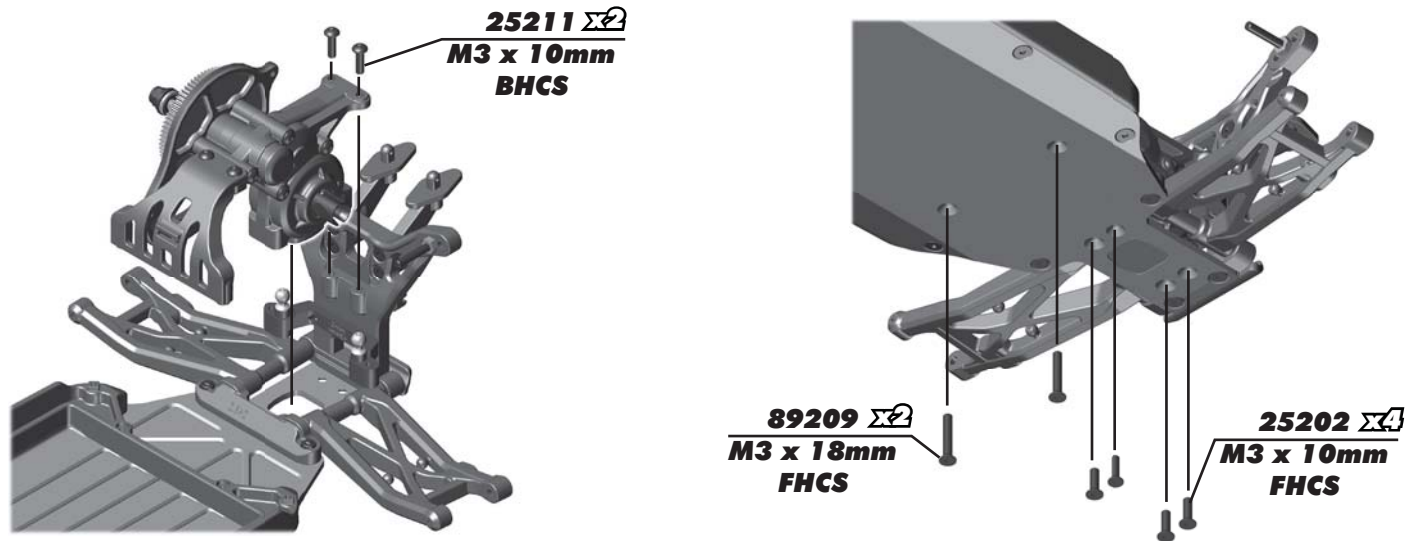


Set nut flush with top shaft.

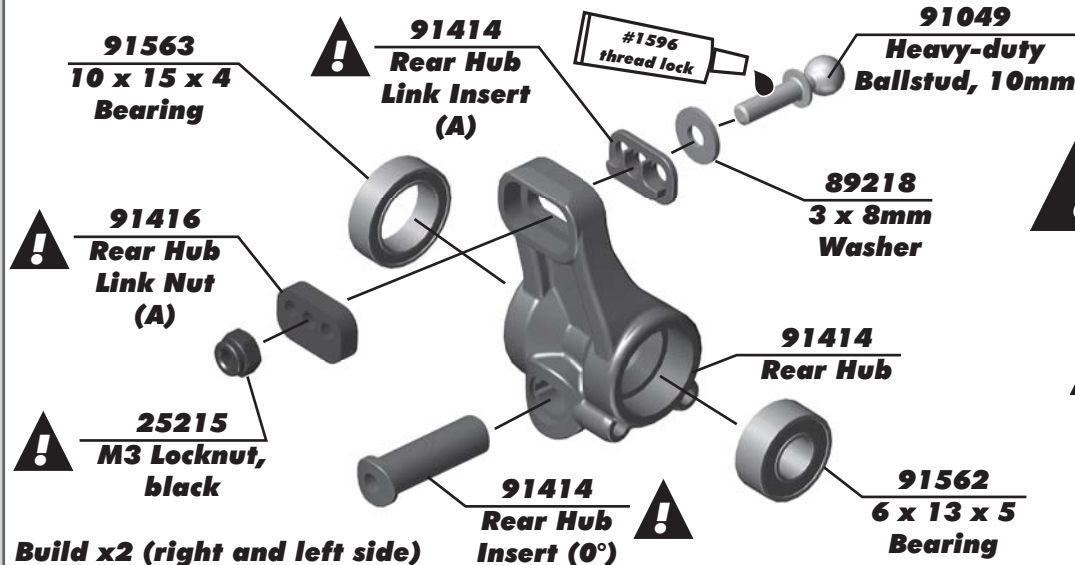


See page 19 for gear mesh, and slipper clutch setting instructions!

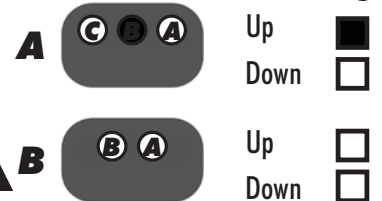
**:: Slipper Build - Bag F - FF - Step 3**



**:: Rear Hub and CVA Build - Bag G - GG - Step 1**



**Rear Hub Link Setting:**



Screw the ballstud into the rear hub link nut first. Then secure ballstud with M3 Locknut.



There are multiple optional inserts for the Rear Hub Insert (0°, 0.5°, 1°). 0° is the standard insert used.

**Build x2 (right and left side)**

**:: Rear Hub and CVA Build - Bag G - GG - Step 2**

**91438 CVA Coupler**

**91439 CVA Bone**

**71019 HD CVA Axle**

**#6588 black grease**

**91438 CVA Pin**

**91436 CVA Wheel Hex Pin**

**91611 M1.6 x 5mm SHCS**

**91610 Clamping Wheel Hex, 7mm Offset (rear)**

**Build x2 (right and left side)**

**Build x2 (right and left side)**

**:: Rear Hub and CVA Build - Bag G - GG - Step 3**

**91414 Rear Hub Spacer**

**91394 Hinge Pin (rear, outer)**

**4670 M3 x 8mm Set Screw (not included in kit)**

**31510 M2 x 4mm BHCS**

You can install optional #4670 set screws to better hold the rear hub inserts and hinge pin.

**Build x2 (right and left side)**

**Build x2 (right and left side)**

**:: Turnbuckles Build - Bag H - Step 1**

**91453 HD Ball Cup**

**1405 Ti Turnbuckle, 1.875"**

**91453 HD Ball Cup (right)**

**Steering Turnbuckle 27.50mm**

**Racers Tip:**

Orient the notch to the left throughout the car. It indicates which end has the left hand threads!

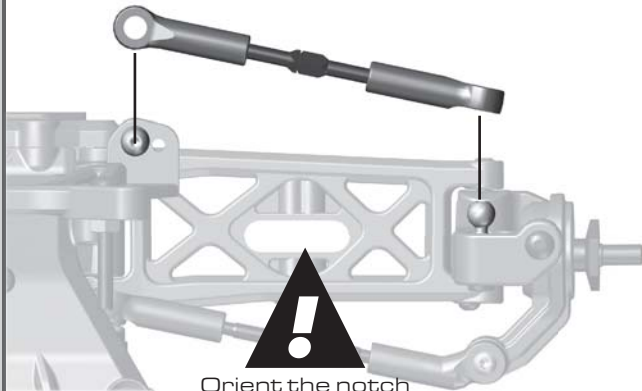
Use black grease (#6588) on the threads of the turnbuckles for easier ball cup installation!

Install the ballstuds on curved side of the ballcup!

**Build x2 (right and left side)**



**:: Turnbuckles Build - Bag H - Step 2**



! Orient the notch to the left throughout the car. It indicates which end has the left hand threads!



**Front Camber Turnbuckle**

23.50mm



Racers Tip:

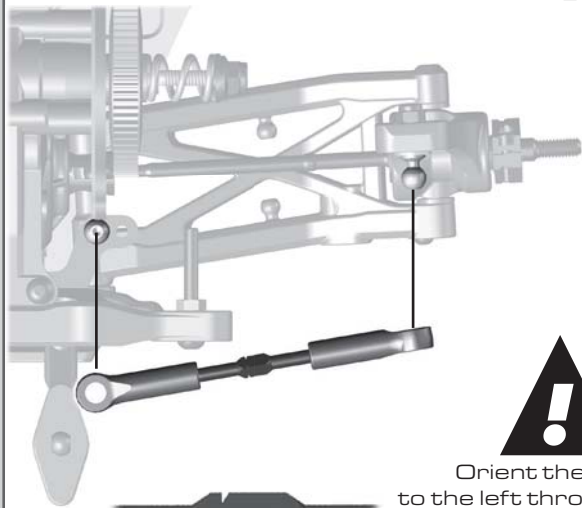
Use black grease (#6588) on the threads of the turnbuckles for easier ball cup installation!



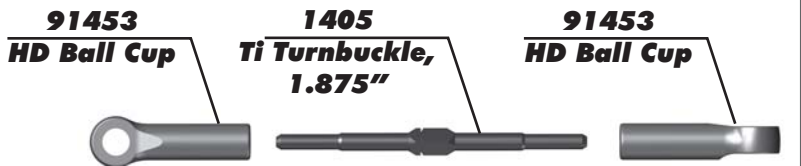
! Install the ballstuds on curved side of the ballcup!

**Build x2 (right and left side)**

**:: Turnbuckles Build - Bag H - Step 3**



! Orient the notch to the left throughout the car. It indicates which end has the left hand threads!



**Rear Camber Turnbuckle**

23.50mm



Racers Tip:

Use black grease (#6588) on the threads of the turnbuckles for easier ball cup installation!



! Install the ballstuds on curved side of the ballcup!

**Build x2 (right and left side)**

**:: Shocks Build - Bag I - II - Step 1**



**91308**  
12mm  
**Shock Piston**  
(1.6 front)  
(1.6 rear)

**91488**  
3 x 21  
**Shock Shaft**  
(front)

**91489**  
3 x 27.5  
**Shock Shaft**  
(rear)

**6299**  
1/8 E-Clip



Racers Tip:

Use a marker over the numbers on the pistons to make them easily visible!



**6299**  
1/8 E-Clip

**4187**  
**Nylon Spacer,**  
(.030)

**Front:**  
2 spacers

**Rear:**  
2 spacers

**:: Shocks Build - Bag I - II - Step 2**

**91480**  
12x23mm V2 Shock Bodies (front)

**91482**  
12x31mm V2 Shock Bodies (rear)

**5407** O-Ring

**91491**  
V2 Shock Spacer

**91491** 12mm Shock Cap O-Ring

**31327**  
VCS3 Shock Bottom Cap O-Ring

**31327**  
VCS3 Shock Bottom Cap

**#1105**  
green slime

Lightly rub shock oil on the o-ring before installation!

Racers Tip:  
Coating the o-rings with green slime (#1105) helps seal & reduce o-ring swell!! **Green slime not included in kit!**

**91448**  
Shock eyelet

**91448**  
Shock Pivot Ball

**:: Shocks Build - Bag I - II - Step 3**

**Shock Bleeding Steps:**

1. Before assembly, get each bleed screw and thread it 1-2 turns into the shock cap. This will make it easier when you are bleeding your shocks. Pull shock shaft down.
2. Fill shock body 3/4 full with silicone shock fluid.
3. Slowly move the shock shaft up and down to remove air from under the piston.
4. Wait for bubbles to come to surface.
5. Fill shock body to top with silicone shock fluid.
6. Place a drop of oil in the cap and on cap threads.
7. Install cap (without bleed screw) and tighten completely.
8. Slowly compress shaft all the way to bleed excess silicone shock fluid out the hole in the cap (use rag around shock to catch excess fluid).
9. Install M2x4mm button head screw until snug while shaft is fully compressed.
10. Install M2x4mm button head screw until snug while shaft is fully compressed.

**Shock fluid #5432**

**Front Shock: 32.5 wt**

**Rear Shock: 32.5 wt**

**31510**  
M2 x 4mm BHCS

Free Length

Stroke

**Stroke**  
Front: 20mm  
Rear: 26.5mm

**Free Length**  
Front: 75.5mm  
Rear: 89mm

Step 2-3      Step 4-5      Step 6-7      Step 8      Step 9-10

**:: Shocks Build - Bag I - II - Step 4**

**91304 x4**  
12mm threaded collar o-ring

**91304 x4**  
12mm threaded collar

Racers Tip:  
Use your finger to rub shock oil on the o-ring for smoother adjustment!

**91328**  
12mm front spring, White (3.30lb)

**91337**  
12mm rear spring, White (2.10lb)

**#91310 12mm Shock Spring Cups**  
0mm    5mm    9mm

**Front: 5.00mm**

**Rear: 5.75mm**

**91310**  
12mm shock spring cup (5mm offset)

**Build x2 front and x2 rear shocks**

**:: Shocks Build - Bag I - II - Step 5**

**25189**  
M3 x 22mm  
BHCS

**91445**  
Shock  
Bushing

**25392**  
FT Locknut,  
aluminum  
(blue)

**25392**  
FT Locknut,  
aluminum  
(blue)

**91445**  
Shock  
Bushing

**89202**  
M3 x 12mm  
BHCS

**Build x2 (right and left side)**

**Build x2 (right and left side)**

Use outside hole in front arm!

Use inside hole in rear arm!

**:: Electronics Build - Bag J - Step 1**

**31286**  
FT Ballstud  
Washer,  
aluminum  
(1mm)

**91047**  
Heavy-duty  
Ballstud, 6mm

**9180**  
Servo  
Horn

**91455**  
Steering  
Link

**89009**  
Servo Horn  
Ring

**91443**  $\Sigma 2$   
Servo  
Mount

**91455**  $\Sigma 2$   
Servo  
Spacers

**31532**  $\times 4$   
M3 x 8mm  
BHCS

**7337**  $\times 4$   
Gold  
Washer

**Servo not included!**

Align the servo horn 90 degrees

**A - Airtronics**  
**F - Futaba**  
**H - Hitec**  
**J - JR**  
Printed here

**Servo screw not included!**

**:: Electronics Build - Bag J - Step 2**

**31532**  $\times 2$   
M3 x 8mm  
BHCS

**89218**  $\times 2$   
3 x 8mm  
Washer

**31532**  $\times 2$   
M3 x 8mm  
BHCS

**Motor not included!**



**:: Electronics Build - Bag J - Step 2**

**!**  
See page 19 for gear mesh setting instructions!

**91604**  
**B5M Gear Cover, 3 Gear**

**31530**  $\Sigma 2$   
**M3 x 5mm BHCS**

**91089**  
**Belt Cover Cap**

**Pinion / Setscrew not included!**

**:: Electronics Build - Bag J - Step 3**

**Receiver not included!**

**ESC not included!**

**6727**  
**Servo Tape**

**25225**  
**M3 x 3mm Set Screw**

**6338**  
**Antenna Tube & Cap**

**!**  
There are two options for mounting your antenna.

**:: Electronics Build - Bag J - Step 4**

**4689**  $\Sigma 2$   
**M3 x 16mm Set Screw**

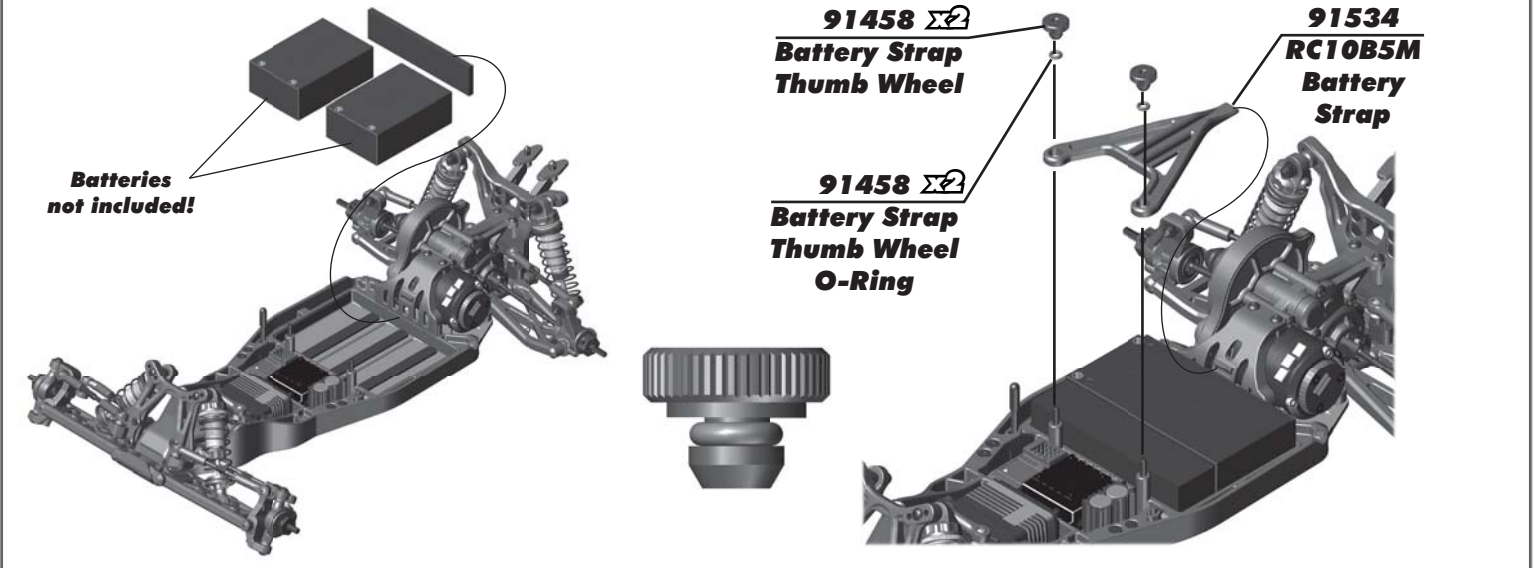
**91536**  
**RC10B5M Battery Spacer**

**Battery not included!**

**91536**  
**RC10B5M Battery Spacer**



**:: Electronics Build - Bag J - Step 5**



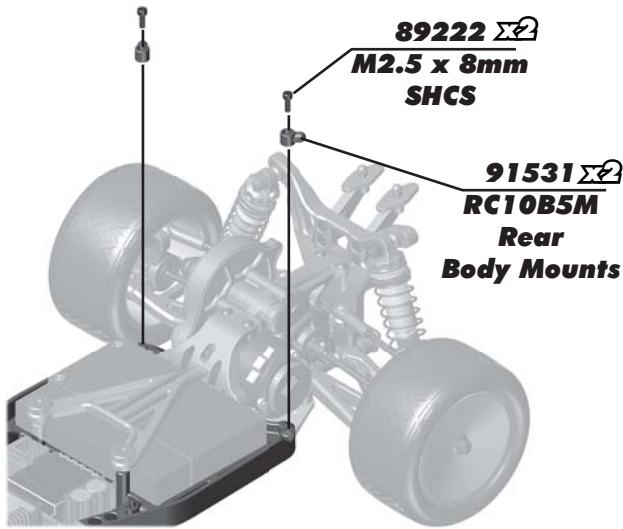
**:: Wheels / Tires and Body - Bag K - Step 1**



**:: Wheels / Tires and Body - Bag K - Step 2**

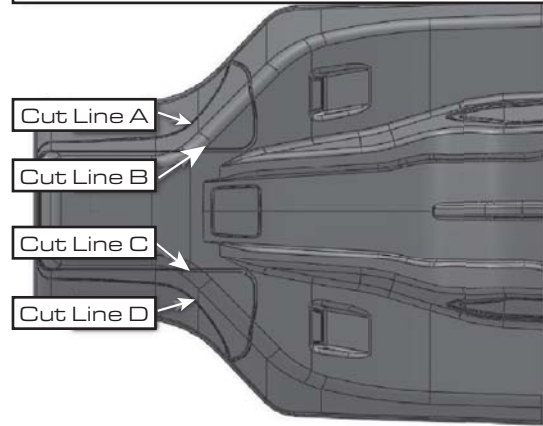


**:: Wheels / Tires and Body - Bag K - Step 3**

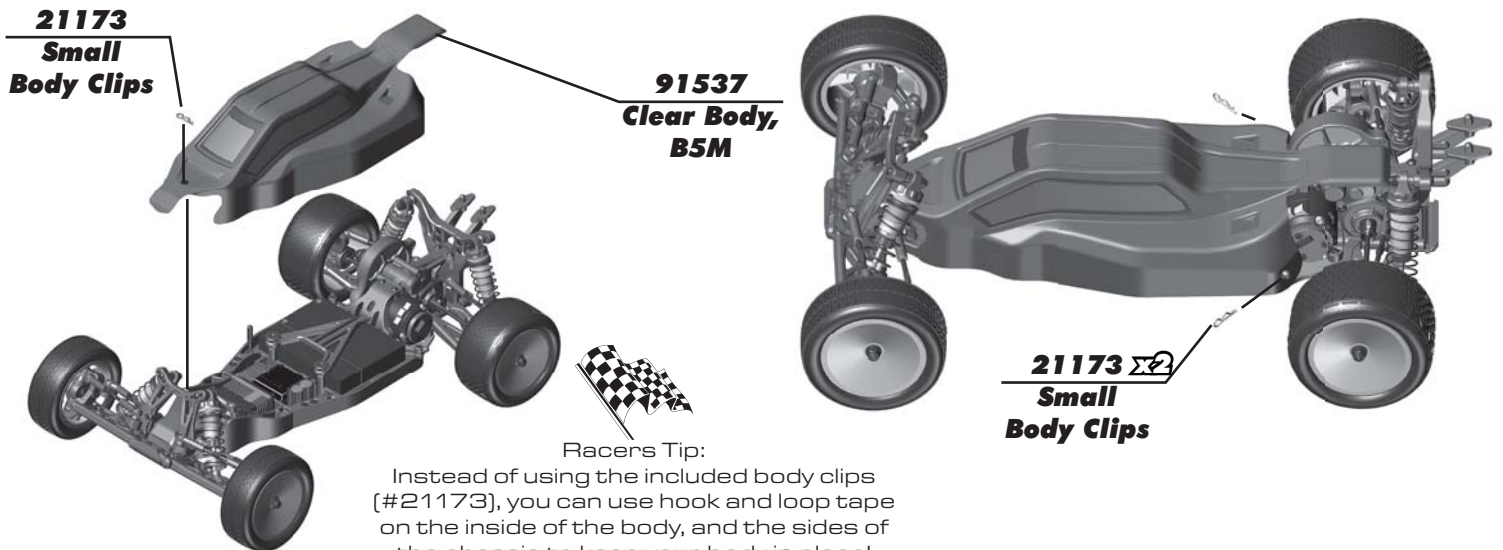


**Body Trimming Options:**

- Option 1) Cut on lines A and C for 3 gear layout.
- Option 2) Cut on lines B and D for 4 gear layout.
- Option 3) Cut on lines B and C for universal layout.

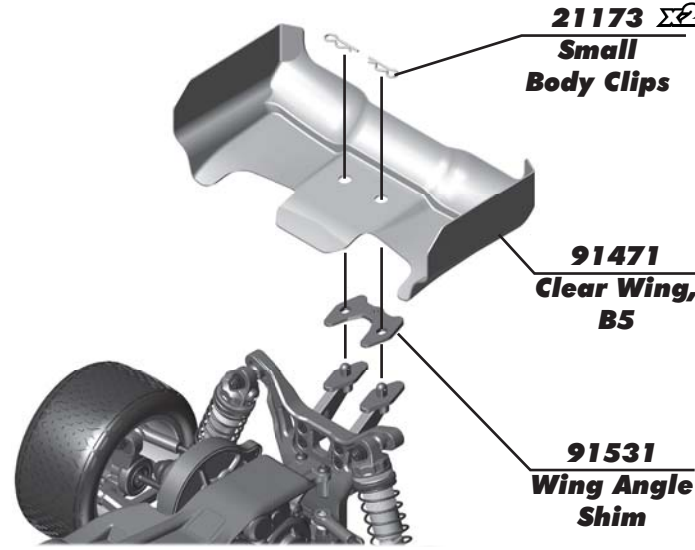


**:: Wheels / Tires and Body - Bag K - Step 4**



**Racers Tip:**  
 Instead of using the included body clips (#21173), you can use hook and loop tape on the inside of the body, and the sides of the chassis to keep your body in place!

**:: Wheels / Tires and Body - Bag K - Step 5**



**Painting Tips:**

Your B5M Factory Lite Team Kit comes with a clear polycarbonate body. You will need to prep the body before you can paint it. Wash the inside thoroughly with warm water and liquid detergent. Dry the body using a clean, soft, lint-free cloth. Use the supplied window masks to cover the windows from the INSIDE of the body (RC cars get painted from the inside). Using high quality masking tape, apply tape to the inside of the body to create a design. Spray (use either rattle can or airbrush) the paint on the inside of the body (preferably dark colors first, lighter colors last).

**NOTE: ONLY use paint that is recommended for use with [polycarbonate] plastics. If you do not, you can destroy the plastic body!!!!.**

After paint has completely dried, cut the body along the trim lines. Make sure to drill or use a body reamer to make the holes for the body mounts and antenna!

## :: Tuning Tips

### Tips for Beginners:

Before making any changes to the standard setup, make sure you can get around the track without crashing. Changes to your vehicle will not be beneficial if you can't stay on the track. Your goal is consistent laps.

Once you can get around the track consistently, start tuning your vehicle. Make only ONE adjustment at a time, testing it before making another change. If the result of your adjustment is a faster lap, mark the change on the included setup sheet (make additional copies of the sheet before writing on it). If your adjustment results in a slower lap, revert back to the previous setup and try another change.

When you are satisfied with your vehicle, fill in the setup sheet thoroughly and file it away. Use this as a guide for future track days or conditions. Periodically check all moving suspension parts. Suspension components must be kept clean and move freely without binding to prevent poor and/or inconsistent handling.

### Motor Gearing:

Proper motor gearing will result in maximum performance and run time while reducing the chance of overheating and premature motor failure. The gear ratio chart lists recommended **starting gear ratios** for the most widely used motor types. Gear ratios will vary depending upon motor brand, wind, and electronic speed control. Consult your motor and electronic speed control manufacturers for more information.

Team Associated is not responsible for motor damage due to improper gearing.

#### B5M FL Gear Ratio Chart (Internal Gear Ratio 2.60:1)

Motor	Pinion	Spur	Final Drive Ratio
17.5 Reedy Sonic Brushless	31	69	5.79:1
13.5 Reedy Sonic Brushless	30	75	6.50:1
10.5 Reedy Sonic Brushless	24	78	8.45:1
9.5 Reedy Sonic Brushless	23	78	8.82:1
8.5 Reedy Sonic Brushless	22	78	9.22:1
7.5 Reedy Sonic Brushless	21	78	9.65:1
6.5 Reedy Sonic Brushless	20	78	10.14:1
3300kV Brushless	21	81	10.03:1
3900kV Brushless	21	81	10.03:1
4900kV Brushless	19	81	11.08:1
6100kV Brushless	18	81	11.70:1

\* These gears are for use with advanced timing speed control settings!



### Set The Gear Mesh:

You should be able to rock the spur gear back and forth in the teeth of the pinion gear without making the pinion gear move. If the spur gear mesh is tight, then loosen the #31532 screws and move the motor away, then try again. A gear mesh that is too tight or too loose will reduce power and damage the gear teeth.

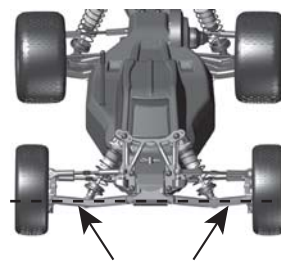
### Slipper Clutch:

The assembly instructions give you a base setting for your clutch. Turn the nut on the shaft so that the end of the top shaft is even with the outside of the nut. At the track, tighten or loosen the nut in 1/8 turn increments until you hear a faint slipping sound for 1-2 feet on takeoffs. Another popular way to set the clutch is to hold both rear tires firmly in place and apply short bursts of throttle. If the clutch is properly set, the front tires should lift slightly up off the surface.

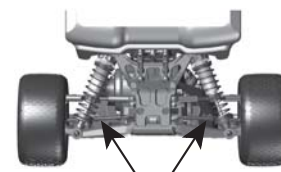
### Ride Height:

Ride height is the distance from the ground to the bottom of the chassis. The standard front ride height setting is with the front arms level (referred to as "arms level") or 24mm (Ride Height Gauge # 1449). Check the ride height by lifting up the entire car about 8-12 inches off the bench and drop it. After the suspension "settles" into place, measure ride height (Ride Height Gauge # 1449). Raise or lower the shock collars as necessary so that the left & right arms appear to be level.

The rear ride height setting you should use most often is with the outrdrive, driveshaft, and axles all on the same imaginary horizontal line (referred to as "bones level") or 24mm (Ride Height Gauge # 1449). Check the ride height by lifting up the entire car about 8-12 inches off the bench and drop it. After the suspension "settles" into place, measure ride height (Ride Height Gauge # 1449). Raise or lower the shock collars as necessary so that the left & right driveshafts appear to be level.



**!**  
\*Front arms inner and outer hinge pins should be in a imaginary horizontal line when ride height is set



**!**  
\*CVA bones should be in a straight line when ride height is set at "CVA bones level"

**:: Tuning Tips (cont.)**

**Wheelbase Adjustment:**

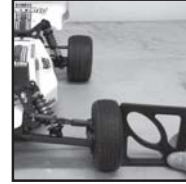
You have three options for rear hub spacing, Forward, Middle, & Back. The kit setting of Middle is the most neutral, and will be used most often. For improved handling in bumps or rhythm sections, try moving the hubs to the Back position. This can also make the car handle better in 180° turns.



**!**  
\*Spacers to the rear will place hubs forward, shortening the wheelbase

**Front Camber:**

Camber describes the angle at which the tire and wheel rides when looked at from the front. Negative camber means that the tire leans inward at the top. A good starting camber setting is -1°. Positive camber, where the top of the tire is leaning out, is not recommended. Optional # 1719 camber gauge can be used to more accurately set camber.



**!**  
\*Testing camber with camber gauge

**Rear Camber:**

Camber describes the angle at which the tire and wheel rides when looked at from the back. Negative camber means that the tire leans inward at the top. A good starting camber setting is -1°. Adding a small amount of positive camber, where the top of the tire is leaning out, will tend to improve straight-line acceleration on loose tracks. Optional # 1719 camber gauge can be used to more accurately set camber.

**Front Camber Links:**

Changing the length of the camber link is considered a bigger step than adjusting the ball end height on the tower. Shortening the camber link (or lowering the ball end) will give the front end less roll and quicken steering response. Lengthening the camber link (or raising the ball end) will give the front more roll and slower steering response. Longer camber links are typically used on high grip tracks and shorter links tend to work better on medium-grip loose tracks.



**!**  
\*Raise or lower the ball end by adding or subtracting washers here

**Rear Camber Link:**

Changing the length of the camber link is considered a bigger step than adjusting the ball end height on the rear chassis brace. Shortening the camber link (or lowering the ball end) will give the rear end less roll and the car will tend to accelerate or "square up" better. Lengthening the camber link (or raising the ball end) will give the rear more roll and more cornering grip. Longer camber links are typically used on high grip tracks, while shorter links tend to work better on medium grip loose tracks. The kit setting is the best compromise of cornering grip and acceleration.



**!**  
\*Raise or lower the ball end by adding or subtracting washers here

**Kickup:**

Kickup is the angle the front suspension arm mounts at where the front of the arm is higher than the rear. The standard kickup angle for the B5M is 25°, and is most common. If more corner entry steering is desired, try the included 30° front bulkhead. It is important to adjust the bumpsteer to match the kickup angle adjustment. Refer to the chart below for some common settings:

<b>Kickup Angle</b>	<b>Less Agressive Bumpsteer Shims</b>	<b>Standard Bumpsteer Shims</b>	<b>More Agressive Bumpsteer Shims</b>
<b>25°</b>	<b>1mm</b>	<b>0mm</b>	<b>N/A</b>
<b>30°</b>	<b>3mm</b>	<b>2mm</b>	<b>1mm</b>

**Caster:**

Caster describes the angle of the kingpin as it leans toward the rear of the vehicle. Positive caster means the kingpin leans rearward at the top. The B5M includes two inserts to adjust caster angle at the caster block, 0° and +5°. The total caster angle is the sum of the kick-up angle and the caster block angle. Standard total caster angle for the B5 is 30°, with 25° kick-up and 5° caster block angle. For less entry steering and more exit steering, try 0° caster block angle.



## :: Tuning Tips

### **Trailing Axle:**

Trailing axle is the distance from the king pin to the axle that "trails" behind the pin. The B5M includes inserts to allow adjustments for trailing axle to three positions: 4mm (standard), 3mm, and 2mm. The standard setup uses 4mm trailing axle for the most stable handling. For more corner entry steering, try the 3mm trailing axle option.

It is important to adjust the ackermann and wheelbase settings to match the trailing axle adjustment. refer to the chart below for some common settings:

<b>Trailing Axle Position</b>	<b># of Shims on Rack for Less Ackermann</b>	<b># of Shims on Rack for Std. Ackermann</b>	<b># of Shims on Rack for More Ackermann</b>	<b>Rear Caster Block Wheelbase Shim</b>
<b>4mm</b>	<b>3mm</b>	<b>2mm</b>	<b>1mm</b>	<b>2mm (forward)</b>
<b>3mm</b>	<b>2mm</b>	<b>1mm</b>	<b>0mm</b>	<b>1mm (middle)</b>
<b>2mm</b>	<b>1mm</b>	<b>0mm</b>	<b>N/A</b>	<b>0mm (back)</b>

### **Ackermann:**

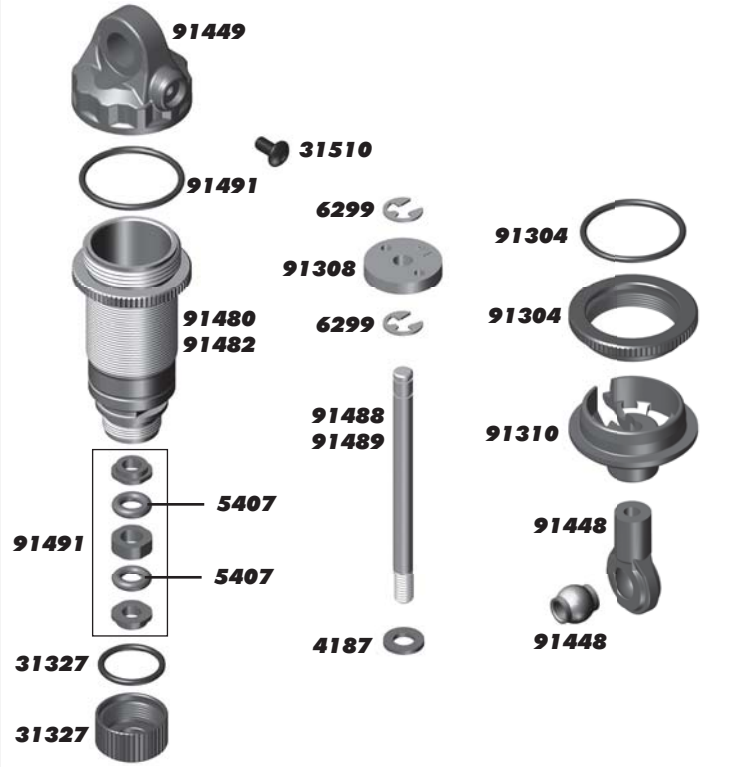
Ackermann is the angle difference between the front wheels when they are turned to steer the car. For minimal tire slip, it is standard for the inside wheel to steer to a greater angle than the outside wheel. The B5M allows ackermann adjustments by changing the washer thickness used behind the steering rack ballstuds. The kit setup uses 2mm washers and is most common for racing conditions. If corner entry steering is too aggressive, try increasing the ackermann by removing shims from behind the steering rack ballstuds. Increasing the ackermann will increase the angle difference of the front wheels when steered, resulting in a more stable car on corner entry.

### **Anti-Roll Bars:**

The optional #91535 rear anti-roll bar kit (also called the "swaybar") allows you to add roll resistance to the rear end with minimal effect on handling over bumps and jumps. It is an especially helpful tuning item on high-grip tracks (try the gold bar). The silver and black anti-roll bars are typically used on medium-grip loose tracks.

**:: Shocks**

4187	.030 Nylon Washer	12
5407	Red O-Rings	8
6299	E-Clip	12
31327	VCS3 Shock Bottom Cap and O-Ring	2 ea.
31510	M2 x 4mm BHCS	6
91304	12MM Threaded Collar and O-Ring	2
91308	12MM Shock Pistons, (1.5, 1.6, 1.7)	4 ea.
91310	12MM Shock Spring Cups (+0mm, +5mm, +9mm)	4 ea.
91448	Shock Pivot Ball and Rod End	4
91449	12MM V2 Composite Shock Cap w/O-ring and bleeder screw	4
91480	12x23MM V2 Shock Bodies	2
91482	12x31MM V2 Shock Bodies	2
91488	3x21MM Shock Shaft	1
91489	3x27.5MM Shock Shaft	1
91491	12MM V2 Shock Rebuild Kit	1
91496	12x23B/21S V2 Shock Kit (B5 Front)	2
91498	12x31B/27.5S V2 Shock Kit (B5 Rear)	2



**:: Ball Differential**

1733	Diff Shims	8
6573	Diff Thrust Washer & Bolt	2
6574	Precision Diff Thrust Balls, 5/64"	6
6575	Locking T-Nut, Diff Thrust Bolt, & Cover	1
6581	3/32" Carbide Diff Balls	12
6582	Diff Thrust Spring	1
7666	Diff Drive Rings, 2.60:1	2
7677	Ball Diff Rebuild Kit	1
31400	Bearing, 5 x 8mm	2
91419	Diff Gear, B5	1
91420	Ball Diff Outdrive, B5	1 ea.
91421	Ball Diff Kit, B5	1



**:: Shock Springs**

91325	12MM Front SPRING BRN 2.85	Pr.
91326	12MM Front SPRING BLK 3.00	Pr.
91327	12MM Front SPRING GRN 3.15	Pr.
91328	12MM Front SPRING WHT 3.30 - Kit	Pr.
91329	12MM Front SPRING GRY 3.45	Pr.
91330	12MM Front SPRING BLU 3.60	Pr.
91331	12MM Front SPRING YLW 3.75	Pr.
91332	12MM Front SPRING RED 3.90	Pr.
91333	12MM Front SPRING ORN 4.05	Pr.
91334	12MM Front SPRING PRL 4.20	Pr.
91335	12MM Rear SPRING BLK 1.90	Pr.
91336	12MM Rear SPRING GRN 2.00	Pr.
91337	12MM Rear SPRING WHT 2.10 - Kit	Pr.
91338	12MM Rear SPRING GRY 2.20	Pr.
91339	12MM Rear SPRING BLU 2.30	Pr.
91340	12MM Rear SPRING YLW 2.40	Pr.
91341	12mm Big Bore Front Soft Spring Kit	1
91342	12mm Big Bore Front Medium Spring Kit	1
91343	12mm Big Bore Front Hard Spring Kit	1
91344	12mm Big Bore Rear Soft Spring Kit	1
91345	12mm Big Bore Rear Medium Spring Kit	1



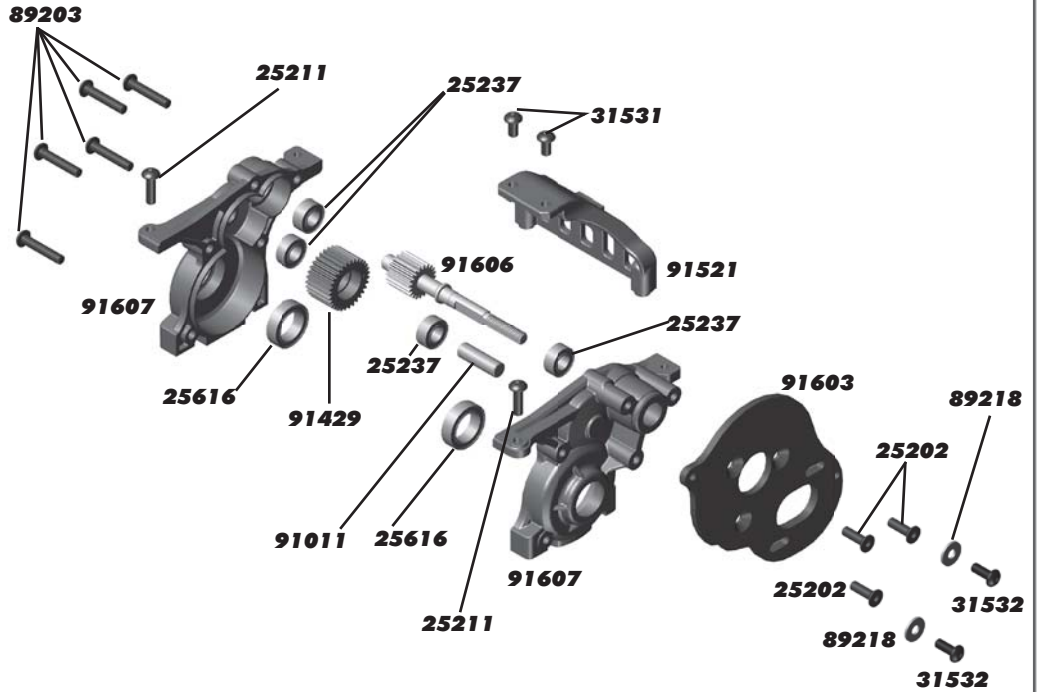
**:: Shock Fluid**

5420	10 Weight Silicone Shock Fluid	2oz.
5421	20 Weight Silicone Shock Fluid	2oz.
5422	30 Weight Silicone Shock Fluid	2oz.
5423	40 Weight Silicone Shock Fluid	2oz.
5424	22.5 Weight Silicone Shock Fluid	2oz.
5425	80 Weight Silicone Shock Fluid	2oz.
5426	27.5 Weight Silicone Shock Fluid	2oz.
5427	15 Weight Silicone Shock Fluid	2oz.
5428	25 Weight Silicone Shock Fluid	2oz.
5429	35 Weight Silicone Shock Fluid	2oz.
5430	45 Weight Silicone Shock Fluid	2oz.
5431	55 Weight Silicone Shock Fluid	2oz.
5432	32.5 Weight Silicone Shock Fluid	2oz.
5433	37.5 Weight Silicone Shock Fluid	2oz.
5434	42.5 Weight Silicone Shock Fluid	2oz.
5435	50 Weight Silicone Shock Fluid	2oz.
5436	60 Weight Silicone Shock Fluid	2oz.
5437	70 Weight Silicone Shock Fluid	2oz.
5438	47.5 Weight Silicone Shock Fluid	2oz.



### :: Transmission

25202	M3 x 10mm FHCS	20
25211	M3 x 10mm BHCS	20
25237	Bearing, 5 x 10 x 4	2
25616	Bearing, 10 x 15 x 4	2
31531	M3 x 6mm BHCS	6
31532	M3 x 8mm BHCS	6
89203	M3 x 16mm BHC	10
89218	3 x 8mm Washer	10
91011	4x4 Idler Gear Shaft	1
91429	Idler Gears, B5	2
91521	RC10B5M Chassis Brace	1
91603	Motor Plate, Blue, (3 Gear)	1
91606	FT Alum. Top Shaft V2	1
91607	RC10B5M Gearbox, (3 Gear)	1 ea.



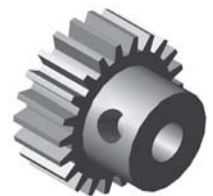
### :: Slipper Clutch

7485	FT V2 Slipper Hubs	2
9603	Slipper Pad	2
9648	69T 48P Spur Gear (Kit)	1
9649	72T 48P Spur Gear	1
9650	75T 48P Spur Gear	1
9651	81T 48P Spur Gear	1
9652	78T 48P Spur Gear (Kit)	1
9653	84T 48P Spur Gear	1
9739	Slipper Spring	1
31530	M3 x 5 BHCS	6
91089	4X4 Belt Cover Cap	2
91148	M4 Locknut, w/flange and knurl	4
91175	FT VTS Slipper Conversion	1
91176	VTS Slipper Housing	1
91177	VTS Slipper Pads	2
91178	VTS Slipper Plate	1
91179	FT VTS Slipper Hub, outer	1
91423	Slipper Spring Adapter	2
91605	Gear Cover (Black), 3 Gear	1



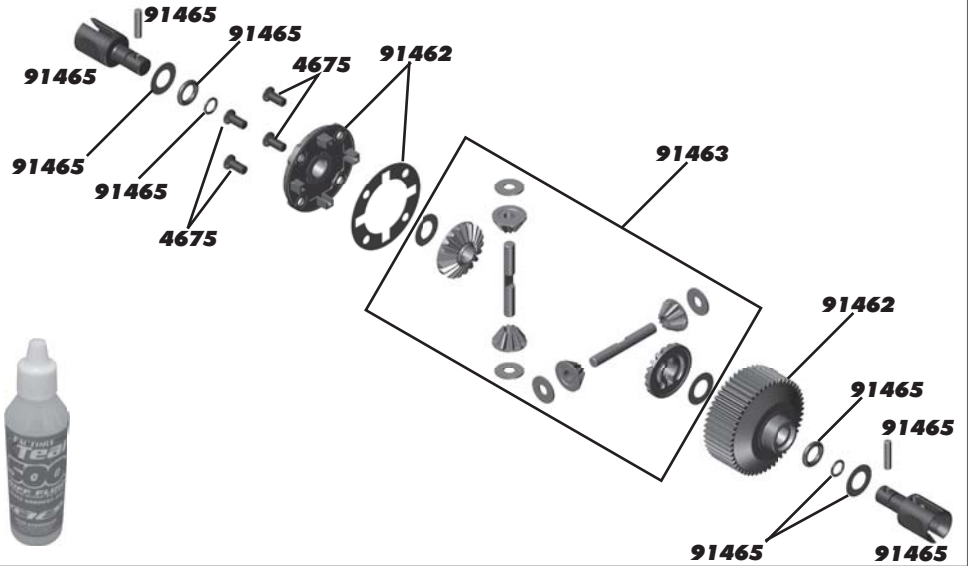
### :: Pinion Gears

8253	16T 48P Pinion Gear	1	30T 48P Pinion Gear	1
8254	17T 48P Pinion Gear	1	31T 48P Pinion Gear	1
8255	18T 48P Pinion Gear	1	32T 48P Pinion Gear	1
8256	19T 48P Pinion Gear	1	33T 48P Pinion Gear	1
8257	20T 48P Pinion Gear	1	34T 48P Pinion Gear	1
8258	21T 48P Pinion Gear	1	35T 48P Pinion Gear	1
8259	22T 48P Pinion Gear	1		
8260	23T 48P Pinion Gear	1		
8261	24T 48P Pinion Gear	1		
8262	25T 48P Pinion Gear	1		
8263	26T 48P Pinion Gear	1		
8264	27T 48P Pinion Gear	1		
8265	28T 48P Pinion Gear	1		
8266	29T 48P Pinion Gear	1		



**:: Optional Gear Differential**

4675	M2.5 x 6 FHCS	6
91461	Gear Diff Kit, B5	1
91462	Gear Diff Gear/Cover, B5	1
91463	Gear Diff Rebuild, B5	1
91465	Gear Diff Outdrives, B5	2



**:: Differential Fluids**

5450	Silicone Diff Fluid 1,000CST	1
5451	Silicone Diff Fluid 2,000CST	1
5452	Silicone Diff Fluid 3,000CST	1
5444	Silicone Diff Fluid 4,000CST	1
5453	Silicone Diff Fluid 5,000CST	1
5446	Silicone Diff Fluid 6,000CST	1
5454	Silicone Diff Fluid 7,000CST	1
5455	Silicone Diff Fluid 10,000CST	1
5466	Silicone Diff Fluid 15,000CST	1
5456	Silicone Diff Fluid 20,000CST	1
5457	Silicone Diff Fluid 30,000CST	1
5458	Silicone Diff Fluid 60,000CST	1
5448	Silicone Diff Fluid 80,000CST	1
5459	Silicone Diff Fluid 100,000CST	1
5461	Silicone Diff Fluid 200,000CST	1

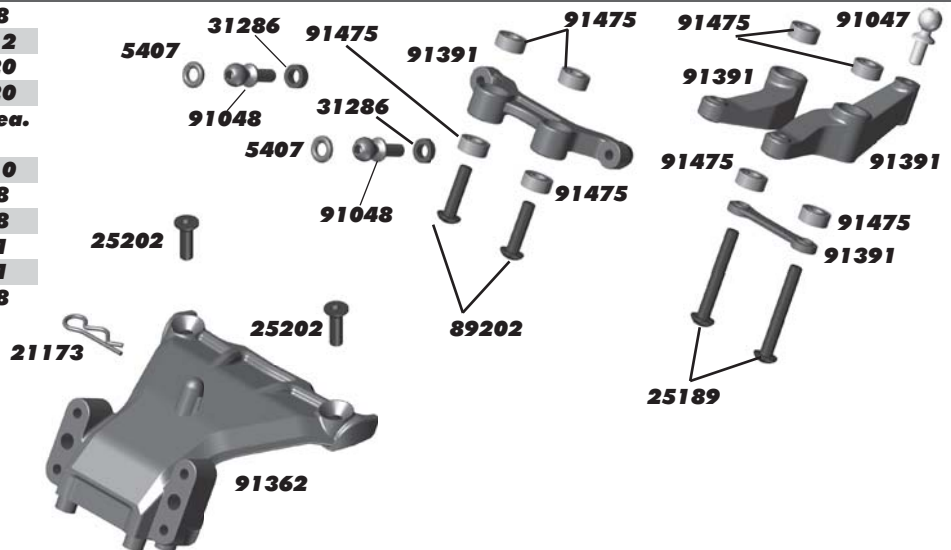
**:: Turnbuckles and Servo Mounts**

1405	Ti Turnbuckle, 1.875"	2
7337	.250 x .125 x .015" Washer	4
9180	Servo Horns, Molded	1
31286	FT Ballstud Washer, aluminum (1mm, 2mm)	4 ea.
31532	M3 x 8 BHCS	6
89007	Steering Servo Ring, blue	1
91047	Heavy-duty Ballstud, 6mm	8
91443	Servo Mount, B5	2
91453	HD Ball Cup Set (Small), B5	1
91455	Steering Link, B5	4



**:: Front Bulkhead / Steering**

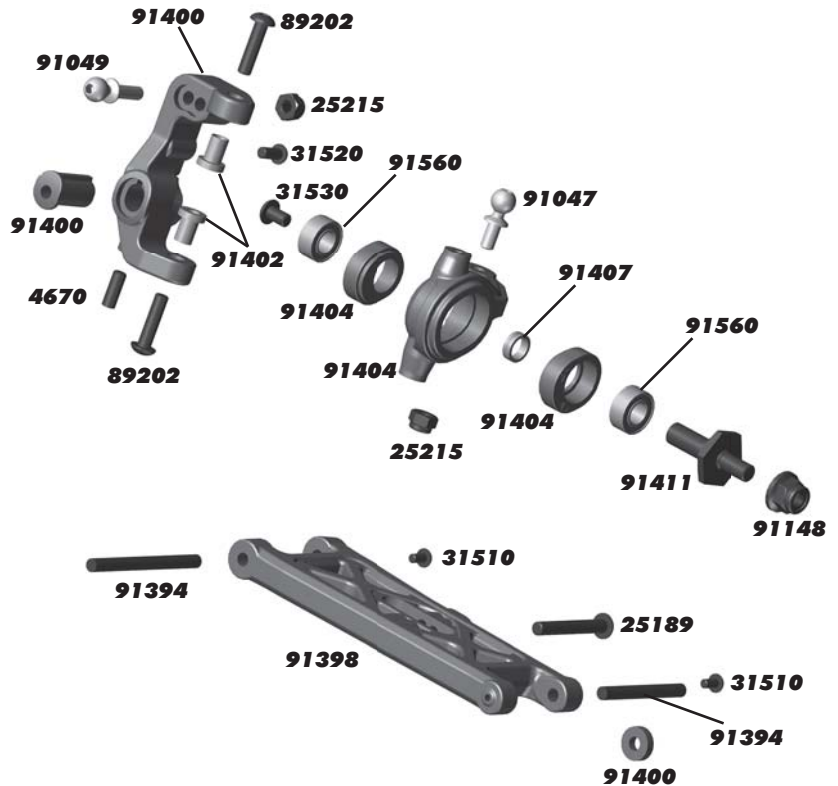
5407	Red O-Ring	8
21173	Small Body Clips	12
25189	M3 x 22mm BHCS	20
25202	M3 x 10mm FHCS	20
31286	FT Ballstud Washer, aluminum (1mm, 2mm)	4 ea.
89202	M3 x 12mm BHCS	10
91047	Heavy-duty Ballstud, 6mm	8
91048	Heavy-duty Ballstud, 8mm	8
91362	Top Plate, B5	1
91391	Steering Set, B5	1
91475	3x7x3 Ball Bearing	8





**:: Front Arm**

4670	M3 x 8mm Set Screw	6
25189	M3 x 22mm BHCS	20
25215	M3 Locknut, Black	20
31510	M2 x 4mm BHCS	6
31520	M2.5 x 6mm BHC	6
31530	M3 x 5mm BHCS	6
89202	M3 x 12mm BHCS	10
91047	Heavy-duty Ballstud, 6mm	8
91049	Heavy-duty Ballstud, 10mm	8
91148	M4 Locknut, with flange and knurl	8
91394	Hinge Pin Set, B5	1
91398	RC10B5 Front Arms, Flat	Pr.
91400	Caster Block, B5	Pr.
91402	Caster Block Bushing, B5	4
91404	Steering Block, B5	Pr.
91407	Front Axle Crush Tubes, B5	2
91411	Aluminum Front Axles, B5	2
91560	FT Bearing, 5 x 10 x 4	4



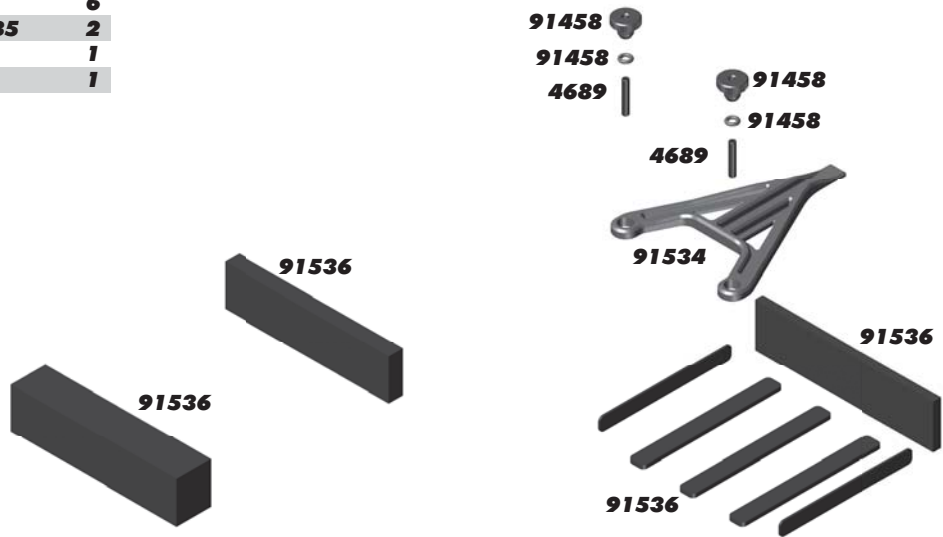
**:: Rear Arm**

4670	M3 x 8mm Set Screw	6
25215	M3 Locknut, Black	20
31510	M2 x 4mm BHCS	6
71019	HD CVA Axle	2
89202	M3 x 12mm BHCS	10
89218	Washer, 3 X 8mm	10
91049	Heavy-duty Ballstud, 10mm	8
91148	M4 Locknut, with flange and knurl	8
91394	Hinge Pin Set, B5	1
91412	Rear Arms	Pr.
91414	Rear Hubs, B5	Pr.
91416	Rear Hub Link Nut Set, B5	1
91436	CVA/Wheel Hex Pin, B5	4
91438	CVA Rebuild Kit, B5	1
91439	CVA Bone, B5	1
91562	FT Bearing, 10 x 15 x 4	4
91563	FT Bearing, 6 x 13 x 5	4
91610	Clamping Wheel Hex, 7mm	2
91611	M1.6 x 8mm SHCS	4
91612	HD CVA Kit	2



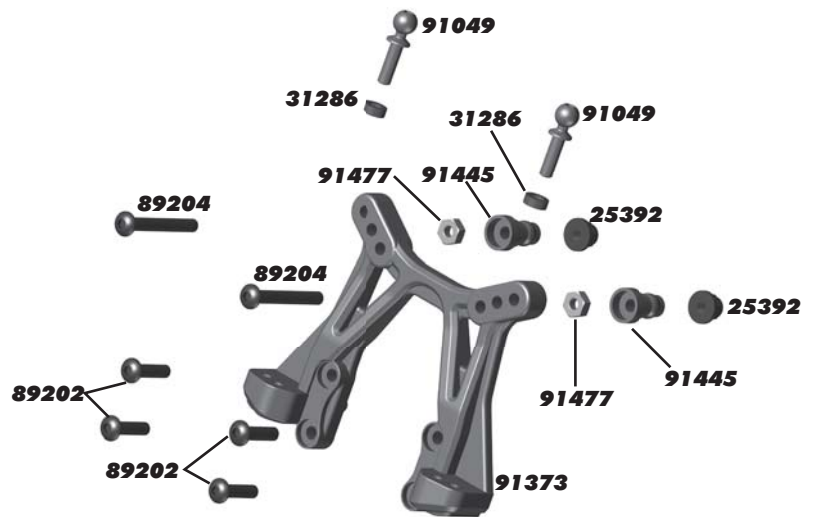
**:: Battery Strap**

4689	M3 x 16mm Set Screw	6
91458	Battery Strap Thumbwheel, B5	2
91534	RC10B5M Battery Strap	1
91536	RC10B5M Battery Foams	1



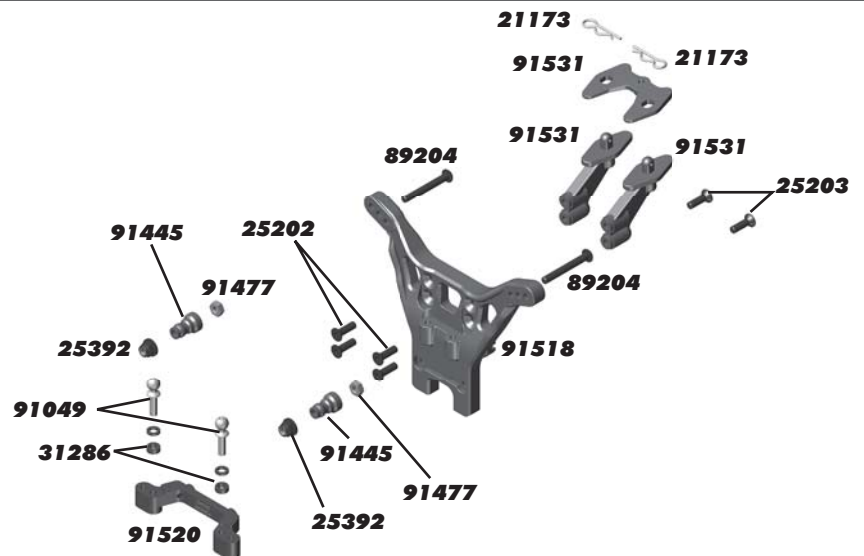
**:: Front Shock Tower**

25392	FT M3 Locknut, Blue Aluminum	10
31286	FT Ballstud Washer, aluminum (1mm, 2mm)	4 ea.
89202	M3 x 12mm BHCS	10
89204	M3 x 24mm BHCS	10
91049	Heavy-duty Ballstud, 10mm	8
91373	Front Tower, B5	1
91445	Shock Bushing (Composite), B5	4
91477	M3 Nut, Black	6



**:: Rear Shock Tower**

21173	Small Body Clips	12
25202	M3 x 10mm FHCS	20
25203	M3 x 12mm FHCS	20
25392	FT M3 Locknut, Blue Aluminum	10
31286	FT Ballstud Washer, aluminum (1mm, 2mm)	4 ea.
89204	M3 x 24mm BHCS	10
91445	Shock Bushing Composite, B5	4
91477	M3 Nut, Black	6
91520	Aluminum Rear Ballstud Mount	1
91531	RC10B5M Wing Mounts and Shim	1





## :: Factory Team and Option Parts

1282	Ti Turnbuckle Set, B4/B5	1
1406	FT Ti Turnbuckle, 2.00" (blue)	Pr.
1409	FT Ti Turnbuckle, 1" (sway bar) (blue)	Pr.
1734	FT Blue Body Clip, 4 long, 6 short	10
1735	FT Blue Body Clip, long	4
1736	FT Blue Body Clip, short	6
7495	Vented V2 Slipper Hubs	2
31286	FT Ballstud Washer, aluminum (1mm, 2mm)	4 ea.
91175	FT VTS Slipper Conversion	1
91176	VTS Slipper Housing	1
91177	VTS Slipper Pads	2
91178	VTS Slipper Plate	1
91179	FT VTS Slipper Hub, outer	1
91363	Top Plate (HARD), B5	1
91365	Brass Bulkhead, 25 degree	1
91366	Brass Bulkhead, 30 degree	1
91372	Aluminum Front Pin Brace, B5	1
91374	Front Tower (HARD), B5	1
91376	Rear Tower (HARD), B5	1
91378	Chassis Brace (HARD), B5	1
91385	Arm Mount Inserts Set (C), B5	1
91389	Arm Mount Insert (D), B5	1
91392	Aluminum Steering Set, B5	1
91399	Front Arms (HARD), B5	Pr.
91401	Caster Block (HARD), B5 w/inserts	Pr.
91403	Caster Block Bushing (Offset - long/short), B5	2 ea.
91405	Steering Block (HARD), B5	Pr.
91408	Front Axle (Clamp Hex), B5 - Req. #91409	2
91409	Clamping Hex (Front), B5 - Req. #91408	2
91413	Rear Arms (HARD), B5	Pr.
91415	Rear Hubs (HARD), B5 w/inserts	Pr.
91435	Gear Cover (Req. 91546 or 91547, 91552)	1
91446	Shock Bushing (Aluminum), B5 - Req. #91447	4
91447	Shock Bushing Ball, B5 - Req. #91446	4
91450	12mm V2 Aluminum Shock Cap (2 screws, 2 bleeder gaskets, and 2 o-rings)	2
91492	12mm V2 Bleeder Gasket/Screw	1
91493	FT Low Friction X-Rings	8
91495	12mm V2 X-Ring Rebuild Kit (4 clear x rings, 2 spacers, 4 hat bushings)	1
91513	RC10B5M Front Chassis Plate (HARD)	1
91515	RC10B5M Chassis Cradle (HARD)	1
91517	RC10B5M Front Tower (HARD)	1
91519	RC10B5M Rear Tower/Mount (HARD)	1
91520	RC10B5M Rear Ball Stud Mount, Aluminum	1
91522	RC10B5M Aluminum Arm Mount C	1
91523	RC10B5M Brass Arm Mount (C)	1
91524	RC10B5M Aluminum Arm Mount D	1
91525	RC10B5M Brass Arm Mount (D)	1
91527	RC10B5M Front Arm (HARD)	Pr.
91529	RC10B5M Rear Arm (HARD)	Pr.
91533	RC10B5M Shock Bushing, Short	4
91535	RC10B5M Anti-Roll Bar Kit	1
91539	RC10B5 to B5M Conversion Kit	1
91540	RC10B5M to B5 Conversion Kit	1
91544	RC10B5M Aluminum Screw Kit	1
91545	RC10B5M Graphite Battery Strap	1
91546	RC10B5 Milled Motor Plate, Black (Req. 91435, 91552)	1
91547	RC10B5 Milled Motor Plate, Blue (Req. 91435, 91552)	1
91548	RC10B5 Aluminum Rear Hubs (Blue)	Pr.
91549	RC10B5 Aluminum Rear Hubs (Black)	Pr.
91550	RC10B5 Rear Hub Bearing Inserts	2 ea.
91552	Gearbox 4 Gear V2 (Req. 91435, 91546 or 91547)	Pr.
91553	Factory Team Bearing Kit, B5, B5M	1
91560	5x10x4mm Factory Team Bearings	4
91562	6x13x5mm Factory Team Bearings	4
91563	10x15x4mm Factory Team Bearings Titanium	4
91580	Titanium Screws, 3x6mm BHCS	4
91581	Titanium Screws, 3x8mm BHCS	4
91582	Titanium Screws, 3x10mm BHCS	4
91583	Titanium Screws, 3x12mm BHCS	4

## :: Factory Team and Option Parts (cont.)

91584	Titanium Screws, 3x14mm BHCS	4
91585	Titanium Screws, 3x16mm BHCS	4
91588	Titanium Screws, 3x22mm BHCS	4
91589	Titanium Screws, 3x24mm BHCS	4
91592	Titanium Screws, 3x8mm FHCS	4
91593	Titanium Screws, 3x10mm FHCS	4
91594	Titanium Screws, 3x12mm FHCS	4
91595	Titanium Screws, 3x14mm FHCS	4
91596	Titanium Screws, 3x16mm FHCS	4
91597	Titanium Screws, 3x18mm FHCS	4
91600	Titanium Screw Set, RC10B5M	1
91602	FT Motor Plate, Black, 3 Gear	1
91608	Aluminum Arm Mount +4mm (C)	1
91609	Clamping Wheel Hex, (5.0mm)	2
91612	RC10B5 HD CVA Kit	1

## :: Reedy Batteries

304	LiPo Pro TX/RX Battery 1600mAh 7.4V Flat	1
305	LiFe Pro TX/RX Battery 1300mAh 6.6V Flat	1
310	LiPo 65C 5700mAh 7.4V SP	1
314	LiPo 65C 5800mAh 7.4V SQ	1
315	LiPo Pro TX/RX Battery 2100mAh 7.4V Flat	1
317	LiPo 50C 5200mAh 7.4V SQ	1
602	LiPo 65C 4100mAh 7.4V Shorty	1
637	LiPo TX Battery - M11X 2500mAh 7.4V	1
737	Wolfpack LiPo 4800mAh 7.4V 25C S.P.	1
738	Wolfpack LiPo 3800mAh 7.4V 25C Shorty	1

## :: Reedy Accessories

247	Sonic 540 Mach 2 Sensor w/bearing	1
248	Sonic 540 Mach 2 Steel Bearing Set	1
249	Sonic 540 Mach 2 Ceramic Bearing Set	1
250	Sonic 540 Mach 2 Insulator Set	1
604	526-S AC/DC 2S-6S LiPo/LiFe Charger	1
606	Charge Harness 2S Saddle Pack 4mm	1
607	Charge Harness 2S Standard Pack 4mm	1
611	Charge Harness 2S Standard Pack 5mm	1
616	423-S AC 35W Compact Balance Charger	1
643	Low-Profile Bullet Connector, 4mm x 14mm (2)	1
644	Low-Profile Bullet Connector, 4mm x 14mm (10)	1
645	Low-Profile Bullet Connector, 5mm x 14mm (2)	1
646	Low-Profile Bullet Connector, 5mm x 14mm (10)	1
647	Silicone Wire 12AWG-Black (1m)	1
648	Silicone Wire 14AWG-Black (1m)	1
649	Silicone Wire 16AWG-Black (1m)	1
650	Shrink Tubing (Yellow, Orange, Red, Blue, Black)	3ea.
654	4.0mm Bullet Plugs (2M, 2F)	1
655	4.0mm Bullet Plugs (2M, 10F)	1
656	4.0mm Bullet Plugs (10F)	1
657	4.0mm Bullet Plugs (100F)	1
658	4.0mm Bullet Plugs (10M)	1
659	4.0mm Bullet Plugs (30M)	1
669	5mm Bullet Connector	2
716	Reedy 09 Decal Set	1
962	Sonic 540 Case Screws	3
974	540-SL/550-SL Steel Bearing Set	1
975	540-SL/550-SL Ceramic Bearing Set	1
978	Flat Sensor Wire 70mm	1
979	Flat Sensor Wire 110mm	1
980	Flat Sensor Wire 150mm	1
981	Flat Sensor Wire 200mm	1
982	Flat Sensor Wire 270mm	1
994	Flat Sensor Wire 125mm	1
995	Flat Sensor Wire 175mm	1
996	5.0mm 1S-2S Balance Charge lead w/SP Clip	1
997	4.0mm 1S-2S Balance Charge lead w/SP Clip	1
999	Saddle Pack Balance Charge Clip	1



**:: XP Electronics**

29107	XP DS1903/S1903 Metal Gear Set	1
29133	XP DS1903 Digital Servo	1
29134	XP DS1903MG Digital Servo	1
29138	XP SC500-BL Brushless ESC	1
29139	XP SC900-BL Brushless ESC	1
29141	XP SC450 Brushless ESC	1
29142	XP ESC Fan Option	1
29143	XP SC700-BL Brushless ESC	1
29144	XP SC1200-BL Brushless ESC	1
29145	XP SC1300-BL Brushless ESC	1
29166	XP DS1313 Digital Servo	1
29167	XP DS1015 Digital Servo	1
29168	XP DS1510MG Digital Servo	1
29209	Gear Set, DS1313	1
29210	Gear Set, DS1015	1
29211	Servo Case, DS1313/DS1015	1
29212	Accessory Pack, DS1313/DS1015	1
29214	TRS403-SSi 2.4GHz 4Ch Receiver	1
29215	XP2G 2.4GHz Radio System	1
29216	XP3G 2.4GHz Radio System	1
29252	XP DS1505 Metal Gear Set	1
29253	XP DS1510 Metal Gear Set	1
29254	XPSSi Receiver Antenna	1

**:: Reedy Motors, ESC's, Servos**

228	Sonic 540 Mach 2 25.5 Competition Brushless Motor	1
231	Sonic 540 Mach 2 21.5 Competition Brushless Motor	1
232	Sonic 540 Mach 2 17.5 Competition Brushless Motor	1
233	Sonic 540 Mach 2 13.5 Competition Brushless Motor	1
233S	Sonic 540/540 Mach 2 Stator 13.5	1
234	Sonic 540 Mach 2 10.5 Competition Brushless Motor	1
235	Sonic 540 Mach 2 9.5 Competition Brushless Motor	1
236	Sonic 540 Mach 2 8.5 Competition Brushless Motor	1
237	Sonic 540 Mach 2 8.0 Competition Brushless Motor	1
238	Sonic 540 Mach 2 7.5 Competition Brushless Motor	1
239	Sonic 540 Mach 2 7.0 Competition Brushless Motor	1
240	Sonic 540 Mach 2 6.5 Competition Brushless Motor	1
241	Sonic 540 Mach 2 6.0 Competition Brushless Motor	1
242	Sonic 540 Mach 2 5.5 Competition Brushless Motor	1
243	Sonic 540 Mach 2 5.0 Competition Brushless Motor	1
244	Sonic 540 Mach 2 4.5 Competition Brushless Motor	1
245	Sonic 540 Mach 2 4.0 Competition Brushless Motor	1
246	Sonic 540 Mach 2 3.5 Competition Brushless Motor	1
941S	Sonic 540/540 Mach 2 Stator 17.5	1
954	Sonic 540 Stock Rotor 12.3 x 24.2 (7.25)	1
955	Sonic 540 Stock Rotor 12.3 x 25.0 (7.25)	1
956	Sonic 540 Stock Rotor 12.5 x 25.0 (7.25)	1
957	Sonic 540 Modified Rotor 12.2 x 25.0 (5.0)	1
958	Sonic 540 Modified Rotor 12.5 x 25.0 (5.0)	1
987	Sonic 540 Modified Rotor 13.0 x 25.0 (5.0)	1
27000	Blackbox 410R 1S-2S Competition ESC	1
27001	Blackbox 410R 1S-2S Competition ESC w/PROgrammer	1
27020	Blackbox ESC PROgrammer	1
27021	Blackbox 410R Fan w/Screws	1
27022	Blackbox 410R Heavy-Duty Capacitor Unit	1
27023	Blackbox 410R XL Capacitor Unit	1
27024	Blackbox 410R Pro Capacitor Unit	1
27025	Blackbox ESC PROgrammer Wire Extension	1
27100	RS1206 Digital HV Hi-Speed Competition Servo	1
27101	RT1508 Digital HV Hi-Speed Competition Servo	1
27102	RS1206 Servo Case Set w/screws	1
27103	RS1206 Servo Gear Set	1
27104	RT1508 Servo Case Set w/screws	1
27105	RT1508 Servo Gear Set	1
29180	Reedy SC800-BL Sensorless Brushless ESC	1

**:: Body and Decals**

91470	RC10B5 Clear Body	1
91471	RC10B5 Clear Wing	1
91472	RC10B5 Sticker Sheet	1
91537	RC10B5M Sticker Sheet	1
91538	RC10B5M Clear Body	1
91613	RC10B5M Factory Lite Sticker Sheet	1

**:: Qualifier Series Vehicles**

7062	Pro SC 4x4 RTR, 1/10 Scale (ready-to-run)	1
7070	Pro Rally 4wd RTR, 1/10 Scale (ready-to-run)	1
20111	Rival Mini Monster Truck 1/18 Scale (ready-to-run)	1
20119	APEX Mini Touring 1/18 Scale (ready-to-run)	1
20510	RIVAL Electric Monster Truck RTR, 1/8 Scale (ready-to-run)	1
30112	APEX Touring V-Type, 1/10 Scale (ready-to-run)	1
30113	APEX Scion Racing FR-S 1/10 Scale (ready-to-run)	1
30113D	APEX Scion Racing FR-S Drift 1/10 Scale (ready-to-run)	1
30114	APEX Scion Racing tC 1/10 Scale (ready-to-run)	1
30115	APEX Lexus RC F, 1/10 Scale (ready-to-run)	1

**:: 1/18 Kits and RTR's**

20103	RC18B2 - RC18T2 Team Kit	1
20121	SC18 RTR Brushless (ready-to-run)	1

**:: 1/12, 1/10 Kits and RTR's**

4020	FT 12R5.2 Kit	1
7025	FT RC10T4.2 Kit	1
7030	SC10 KMC Wheels Race Truck RTR (ready-to-run)	1
7038	FT SC10.2 Kit	1
7039	RC10T4.2 RS RTR 2.4GHz Brushless (ready-to-run)	1
7046	SC10 RS RTR, Lucas Oil (ready-to-run)	1
7049	SC10 RS RTR, Rockstar/Makita (ready-to-run)	1
7093	SC10GT RTR (ready-to-run)	1
9042	RC10B4.2 RS RTR 2.4GHz Brushless (ready-to-run)	1
9050	SC10B RS RTR (ready-to-run)	1
9063	FT B44.3 4WD Buggy Kit	1
30101	TC4 Club Racer 4WD Touring Car Race Roller	1
30109	FT TC6.2 Kit	1
90000	RC10B5M Factory Lite Team Kit	1
90001	RC10B5 Team Kit	1
90003	RC10B5M Team Kit	1

**:: 1/8 Kits and RTR's**

20501	MGT 4.60 SE RTR (ready-to-run)	1
20502	MGT 8.0 Nitro RTR (ready-to-run)	1
20503	Limited Edition MGT 4.60 Nitro RTR, w/flag body (ready-to-run)	1
20504	Limited Edition MGT 8.0 Nitro RTR, w/flag body (ready-to-run)	1
80907	RC8.2e Electric Buggy FT Kit	1
80908	RC8.2e Electric Buggy RTR (ready-to-run)	1
80909	RC8.2RS Nitro Buggy RTR (ready-to-run)	1
80912	RC8T Championship Edition	1

**:: Tools**

1111	FT Turnbuckle Wrench	1
1113	12mm Big Bore Shock Tool	1
1449	FT Off Road Ride Height Gauge	1
1541	FT Hex Driver Set, (7 pcs)	1
1542	FT .050" Silver Hex Driver	1
1543	FT 1/16" Black Hex Driver	1
1544	FT 1.5mm Purple Hex Driver	1
1545	FT 5/64" Blue Hex Driver	1
1546	FT 3/32" Gold Hex Driver	1
1547	FT 2.5mm Green Hex Driver	1
1548	FT 3mm Red Hex Driver	1
1553	FT Phillips Silver Screwdriver	1
1554	FT Silver Spring Hook Tool	1
1561	FT Nut Driver Set, (6 pcs)	1
1562	FT 3/16" Black Nut Driver	1
1563	FT 1/4" Red Nut Driver	1
1564	FT 5.5mm Red Nut Driver	1
1565	FT 11/32" Green Nut Driver	1
1567	FT 8mm Gold Nut Driver	1
1568	Factory Team 5.5mm Short Nut Driver	1
1569	Factory Team 7mm Nut Driver, T-Handle	1
1570	Factory Team 7.0mm Short Nut Driver	1
1589	FT 5/64" Blue Ball Hex Driver	1
1590	FT 3/32" Gold Ball Hex Driver	1
1592	FT Ball Hex Driver Set, (3 pcs)	1
1655	FT 8-Piece 1/4" Hex Drive Set	1
1656	FT 1/4" Hex Drive Handle, without tips	1
1657	FT 1/4" Hex Drive .050" Tip	1
1658	FT 1/4" Hex Drive 1/16" Tip	1
1659	FT 1/4" Hex Drive 5/64" - 2.0mm Tip	1
1660	FT 1/4" Hex Drive 3/32" Tip	1
1661	FT 1/4" Hex Drive 1.5mm Tip	1
1662	FT 1/4" Hex Drive 2.5mm Tip	1
1663	FT 1/4" Hex Drive 3/16" Nut Driver Tip	1
1664	FT 1/4" Hex Drive 1/4" Nut Driver Tip	1
1665	FT 1/4" Hex Drive 11/32" Nut Driver Tip	1
1666	FT 1/4" Hex Drive 5.5mm Nut Driver Tip	1
1667	FT 1/4" Hex Drive 7.0mm Nut Driver Tip	1
1668	FT 1/4" Hex Drive 8.0mm Nut Driver Tip	1
1669	FT 1/4" Hex Drive 5/64" - 2.0mm Ball End Tip	1
1670	FT 1/4" Hex Drive 3/32" Ball End Tip	1
1671	FT 1/4" Hex Drive Standard Screwdriver Tip	1
1672	FT 1/4" Hex Drive Phillips Screwdriver Tip	1
1673	FT 1/4" Hex Drive 2.5mm Ball End Tip	1
1674	FT 1/4" 5 Piece Power Tool Tips Set (5/64-2.0mm, 1.5mm, 2.5mm, 5/64"- 2.0mm ball, 2.5mm ball)	1
1675	FT Shock Shaft Pliers	1
1719	FT Camber + Track Width Tool	1
1737	FT Body Scissors	1
3718	12 Inch Nylon Wire Ties	12
3719	6 Inch Nylon Wire Ties	12
3720	8 Inch Nylon Wire Ties	12
3987	Composite Droop Gauge	1
6429	Shock Building Tool	1
6956	Molded Tools, Set	1
7494	V2 Stamped Multi-tool	1
7709	4 Inch Nylon Wire Ties	12

**:: Lubes & Adhesives / Decals / Misc.**

1105	FT Green Slime Shock Lube	1
1596	FT Locking Adhesive	1
1597	FT Tire Adhesive, medium	1
6588	Black Grease - 4cc	1
6591	S.Diff Lube - 4cc	1
6636	Silicone Grease - 4cc	1
6727	Servo Tape	2
716	Reedy 2009 Sticker Set	1
3816	American Bumper Sticker	1
3820	AE Logo Decal Sheet	1
3834	AE Blue Embossed Logo Sticker	2
9787	FT Chassis Protective Sheet	1

**:: RePlay Cameras**

RP004	Replay XD1080 Mini Complete Camera System	1
RP005	Replay XD PrimeX Camera System	1
RP021	Replay XD1080 Lens Bezel Kit	1
RP022	Replay XD1080 Clear Lens Cover	1
RP023	Replay XD1080 Lens Bezel & Rear Cap O-Ring	1
RP029	Replay XD1080 HDMI to Mini-HDMI	1
RP030	Replay XD1080 Mini 8-pin USB Charge Data Cable	1
RP032	USB DC Car Charger 1A Stubby	1
RP034	Micro SDHC USB Reader	1
RP036	3M VHB 4991 Mount Adhesive for SnapTray	1
RP042	Replay XD Suction Cup Short Arm Base	1
RP043	Replay XD Skateboard Mount	1
RP044	Replay XD VHB SnapTray, Convex	1
RP045	Replay XD VHB SnapTray, Flat	1
RP046	Au Plug for Universal DC Wall Charger	1
RP047	Eu Plug for Universal DC Wall Charger	1
RP048	Uk Plug for Universal DC Wall Charger	1
RP049	Universal USB DC Wall Charger 1A	1
RP050	Au Plug for Uni DC Wall Charger	1
RP054	Replay ReView Field Monitor	1
RP055	Replay PrimeX Lens 5 pack	1
RP056	Replay PrimeX HDMI Cable	1
RP057	Replay PrimeX Deep Dive Waterproof Case	1
RP058	Replay PrimeX Heim Lock Mount	1
RP059	Replay PrimeX Low Boy Mount	1
RP060	Replay PrimeX Tilt Mount	1

**:: Apparel**

SP17**	AE INT'L T-Shirt - Black (S, M, L, XL-5XL)	1
SP18**	AE INT'L T-Shirt - White (S, M, L, XL-5XL)	1
SP19**	AE INT'L Hoodie - Black (S, M, L, XL-3XL)	1
SP20	AE Patch Trucker Hat	1
SP22**	Reedy Vintage '81 T-Shirt - Blue (S, M, L, XL-3XL)	1
SP23**	AE Splash T-shirt - Black (S, M, L, XL-5XL)	1
SP24**	AE Splash T-shirt - Blue (S, M, L, XL-5XL)	1
SP31**	27 Time WC T-shirt - Black (S, M, L, XL-3XL)	1
SP32**	AE Kids T-shirt - Blue (S, M, L)	1
SP37**	Reedy 2012 T-shirt - Black (S, M, L, XL-3XL)	1
SP38	Reedy Trucker Hat	1
SP39	Reedy Patch	1
SP79**	AE 2012 T-Shirt, Black (S, XL, 2XL)	1
SP84**	Reedy 3D T-Shirt, Black (S, M, L, XL-3XL)	1
SP87**	AE 2013 Zip Hoodie (S, M, L, XL-3XL)	1
SP90**	AE Retro T-shirt, Blue (S, M, L, XL-5XL)	1
SP91**	AE Retro T-shirt, Black (S, M, L, XL-5XL)	1
SP92**	AE Retro T-shirt, White (S, M, L, XL-5XL)	1
SP93**	AE 2013 Worlds T-shirt - Blue (S, M, L, XL-5XL)	1
SP94**	AE 2013 Worlds T-shirt - Black (S, 3XL, 5XL)	1
SP95**	AE 2013 Worlds Hoodie - Black (S, M, L, XL-3XL)	1
SP96**	AE Womens Retro - Pink (S, M, L, XL)	1
SP110*	Reedy R-Powered T-Shirt - Black (2XL, 3XL)	1
SP111*	Reedy W15 Sweatshirt - Black (S, M, L, XL-3XL)	1
SP420**	AE Pit Gloves (XL)	Pr.
SP421S	AE 2012 Hat, Black, Flat Bill, S/M	1
SP421L	AE 2012 Hat, Black, Flat Bill, L/XL	1
SP422S	AE 2012 Hat, Black, Curved Bill, S/M	1
SP422L	AE 2012 Hat, Black, Curved Bill, L/XL	1
SP423S	AE 2012 Hat, White, Flat Bill, S/M	1
SP423L	AE 2012 Hat, White, Flat Bill, L/XL	1
SP424S	AE 2012 Hat, White, Curved Bill, S/M	1
SP424L	AE 2012 Hat, White, Curved Bill, L/XL	1
715	Reedy 2009 Track Banner	1
110684	Team Associated Track Banner	1
110685	Team Associated Cloth Banner	1

\*\* Use part number plus the desired size when ordering!

**:: Notes****:: Contact Information**

**Associated Electrics, Inc.  
26021 Commercentre Drive  
Lake Forest, CA 92630-8853 USA  
<http://www.TeamAssociated.com>  
<http://www.RC10.com>  
[http://twitter/Team Associated](http://twitter/TeamAssociated)  
<http://bit.ly/AEonFacebook>**

**call: (949) 544-7500**

**fax: (949) 544-7501**

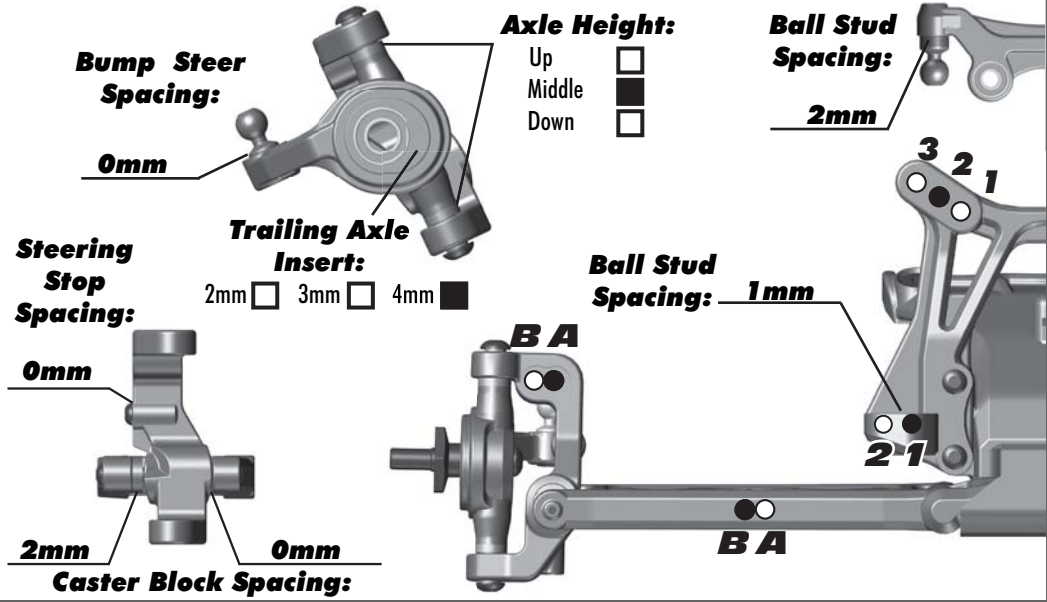
**Check out the following web sites for all  
of our electric kits, current products, new  
releases, setup help, tips, and racing info!**

**[www.TeamAssociated.com](http://www.TeamAssociated.com) - [www.RC10.com](http://www.RC10.com)**

### Front Suspensions:

**Camber:** -1 °  
**Total Toe:** 0 °  
**Ride Height:** 24mm  
**Arm Type:** Kit  
**Tower Type:** Kit  
**Caster Block Insert:** 5 °  
**Kick-Up Angle:** 25 °  
**Wheel Hex:** Kit

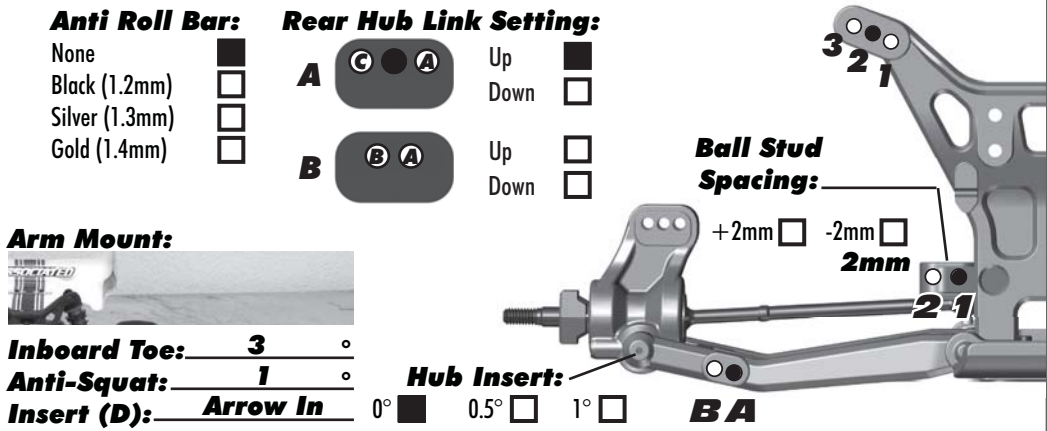
Notes: \_\_\_\_\_  
 \_\_\_\_\_  
 \_\_\_\_\_  
 \_\_\_\_\_



### Rear Suspension:

**Camber:** -1 °  
**Ride Height:** 24mm  
**Wheel Hex:** 7mm Kit  
**Hub Spacing:** Forward  Middle  Back

Notes: \_\_\_\_\_  
 \_\_\_\_\_  
 \_\_\_\_\_  
 \_\_\_\_\_



### Electronics:

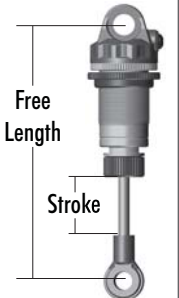
**Radio:** \_\_\_\_\_ **Servo:** \_\_\_\_\_  
**EPA: Throttle:** \_\_\_\_\_ % **Brake:** \_\_\_\_\_ %  
**ESC:** \_\_\_\_\_  
**ESC Settings:** \_\_\_\_\_  
**Motor:** \_\_\_\_\_  
**Wind:** \_\_\_\_\_ **Timing:** \_\_\_\_\_  
**Pinion:** \_\_\_\_\_ **Spur:** \_\_\_\_\_  
**Battery:** \_\_\_\_\_  
**Battery Position:** \_\_\_\_\_

### Drivetrain:

**Differential:**  
**3 Gear:**  **4 Gear:**   
**Ball Diff:**  **Gear Diff:**   
**Notes:** \_\_\_\_\_  
**Slipper Clutch:**  
**Type:** AE  
**# of Pads:** 2  
**Notes:** \_\_\_\_\_

### Shocks:

	Front	Rear
<b>Piston:</b>	1.6	1.6
<b>Oil:</b>	32.5 wt	32.5 wt
<b>Spring:</b>	White	White
<b>Limiters:</b>	2	2
<b>Cup Offset:</b>	5mm	5mm
<b>Stroke:</b>	20mm	26.5mm
<b>Free Length:</b>		
<b>Notes:</b>		



### Track Info:

**Size:** Small  Medium  Large  Extra Large   
**Surfaces:** Dirt  Carpet  AstroTurf  Multi Surface   
**Traction:** Low  Medium  High  Very High   
**Moisture:** Dry  Damp  Wet   
**Condition:** Indoor  Outdoor  Dusty  Hard Packed   
 Bumpy  Grooved  Smooth  Loamy

**Temperature:** Ambient: \_\_\_\_\_ Track: \_\_\_\_\_  
**Notes:** \_\_\_\_\_

### Tires:

**Tires (F/R):** \_\_\_\_\_ / \_\_\_\_\_  
**Compound (F/R):** \_\_\_\_\_ / \_\_\_\_\_  
**Insert (F/R):** \_\_\_\_\_ / \_\_\_\_\_  
**Wheel (F/R):** \_\_\_\_\_ / \_\_\_\_\_  
**Notes:** \_\_\_\_\_

### Body, Wing & Chassis:

**Body:** AE Kit  
**Wing:** AE Kit  
**Wing Angle:** 0°  3°  6°   
**Chassis:** #91510 - B5M  #91511 - B5M Lite

### Race Results:

**Qualify:** \_\_\_\_\_ **Main:** \_\_\_\_\_  
**Finish:** \_\_\_\_\_ **TQ:**   
**Best Lap Time:** \_\_\_\_\_

### Vehicle Comments:

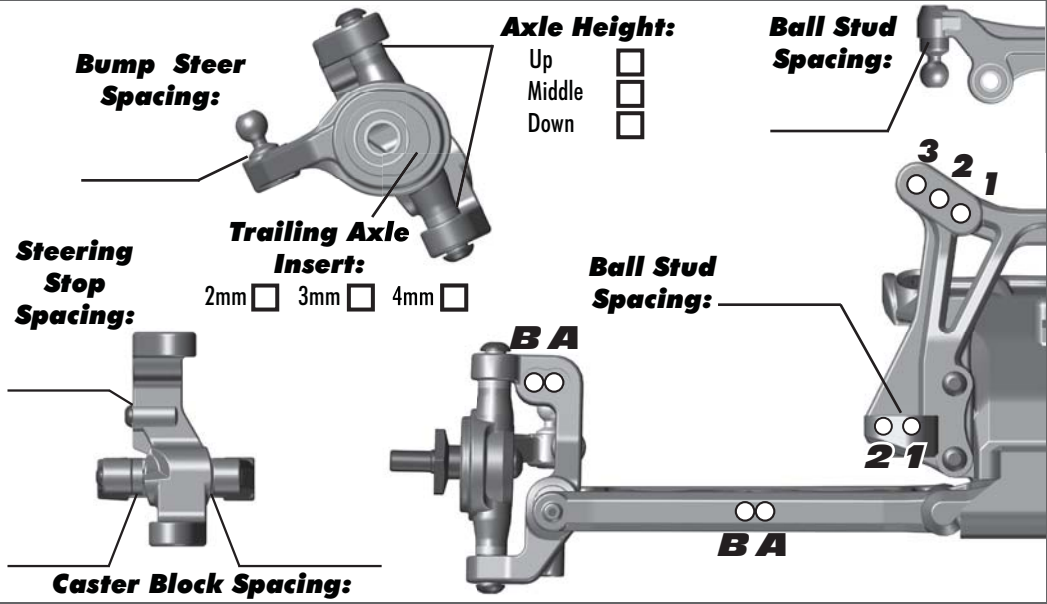
\_\_\_\_\_  
 \_\_\_\_\_  
**Total Vehicle Weight:** \_\_\_\_\_



### Front Suspensions:

Camber: \_\_\_\_\_ °  
 Total Toe: \_\_\_\_\_ °  
 Ride Height: \_\_\_\_\_  
 Arm Type: \_\_\_\_\_  
 Tower Type: \_\_\_\_\_  
 Caster Block Insert: \_\_\_\_\_ °  
 Kick-Up Angle: \_\_\_\_\_ °  
 Wheel Hex: \_\_\_\_\_

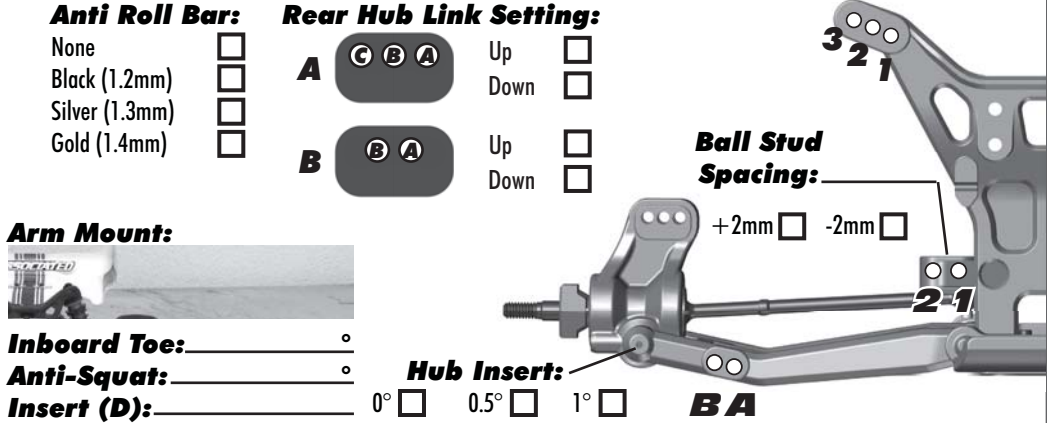
Notes: \_\_\_\_\_  
 \_\_\_\_\_  
 \_\_\_\_\_  
 \_\_\_\_\_



### Rear Suspension:

Camber: \_\_\_\_\_ °  
 Ride Height: \_\_\_\_\_  
 Wheel Hex: \_\_\_\_\_  
 Hub Spacing: Forward  Middle  Back

Notes: \_\_\_\_\_  
 \_\_\_\_\_  
 \_\_\_\_\_  
 \_\_\_\_\_



### Electronics:

Radio: \_\_\_\_\_ Servo: \_\_\_\_\_  
 EPA: Throttle: \_\_\_\_\_ % Brake: \_\_\_\_\_ %  
 ESC: \_\_\_\_\_  
 ESC Settings: \_\_\_\_\_  
 Motor: \_\_\_\_\_  
 Wind: \_\_\_\_\_ Timing: \_\_\_\_\_  
 Pinion: \_\_\_\_\_ Spur: \_\_\_\_\_  
 Battery: \_\_\_\_\_  
 Battery Position: \_\_\_\_\_

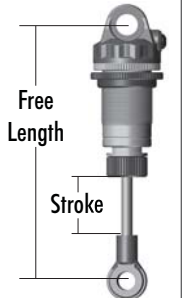
### Drivetrain:

**Differential:**  
 3 Gear:  4 Gear:   
 Ball Diff:  Gear Diff:   
 Notes: \_\_\_\_\_

**Slipper Clutch:**  
 Type: \_\_\_\_\_  
 # of Pads: \_\_\_\_\_  
 Notes: \_\_\_\_\_

### Shocks:

	Front	Rear
Piston:		
Oil:		
Spring:		
Limiters:		
Cup Offset:		
Stroke:		
Free Length:		
Notes:		



### Track Info:

**Size:** Small  Medium  Large  Extra Large   
**Surfaces:** Dirt  Carpet  Astroturf  Multi Surface   
**Traction:** Low  Medium  High  Very High   
**Moisture:** Dry  Damp  Wet   
**Condition:** Indoor  Outdoor  Dusty  Hard Packed   
 Bumpy  Grooved  Smooth  Loamy

Temperature: Ambient: \_\_\_\_\_ Track: \_\_\_\_\_  
 Notes: \_\_\_\_\_

### Tires:

Tires (F/R): \_\_\_\_\_ / \_\_\_\_\_  
 Compound (F/R): \_\_\_\_\_ / \_\_\_\_\_  
 Insert (F/R): \_\_\_\_\_ / \_\_\_\_\_  
 Wheel (F/R): \_\_\_\_\_ / \_\_\_\_\_  
 Notes: \_\_\_\_\_

### Body, Wing & Chassis:

Body: \_\_\_\_\_  
 Wing: \_\_\_\_\_  
 Wing Angle: 0°  3°  6°   
 Chassis: #91510 - B5M  #91511 - B5M Lite

### Race Results:

Qualify: \_\_\_\_\_ Main: \_\_\_\_\_  
 Finish: \_\_\_\_\_ TQ:   
 Best Lap Time: \_\_\_\_\_

### Vehicle Comments:

\_\_\_\_\_  
 \_\_\_\_\_  
 \_\_\_\_\_  
 Total Vehicle Weight: \_\_\_\_\_



**Associated Electrics, Inc.  
26021 Commercentre Dr.  
Lake Forest, CA 92630 USA**

**<http://www.TeamAssociated.com>**

**<https://www.RC10.com>**

**[https://twitter/Team\\_Associated](https://twitter/Team_Associated)**

**<https://bit.ly/AEonFacebook>**

**call: (949) 544-7500 - fax: (949) 544-7501**

**Check out the following web sites for all of our kits,  
current products, new releases, setup help, tips, and racing info!  
[www.TeamAssociated.com](http://www.TeamAssociated.com) - [www.RC10.com](http://www.RC10.com)**