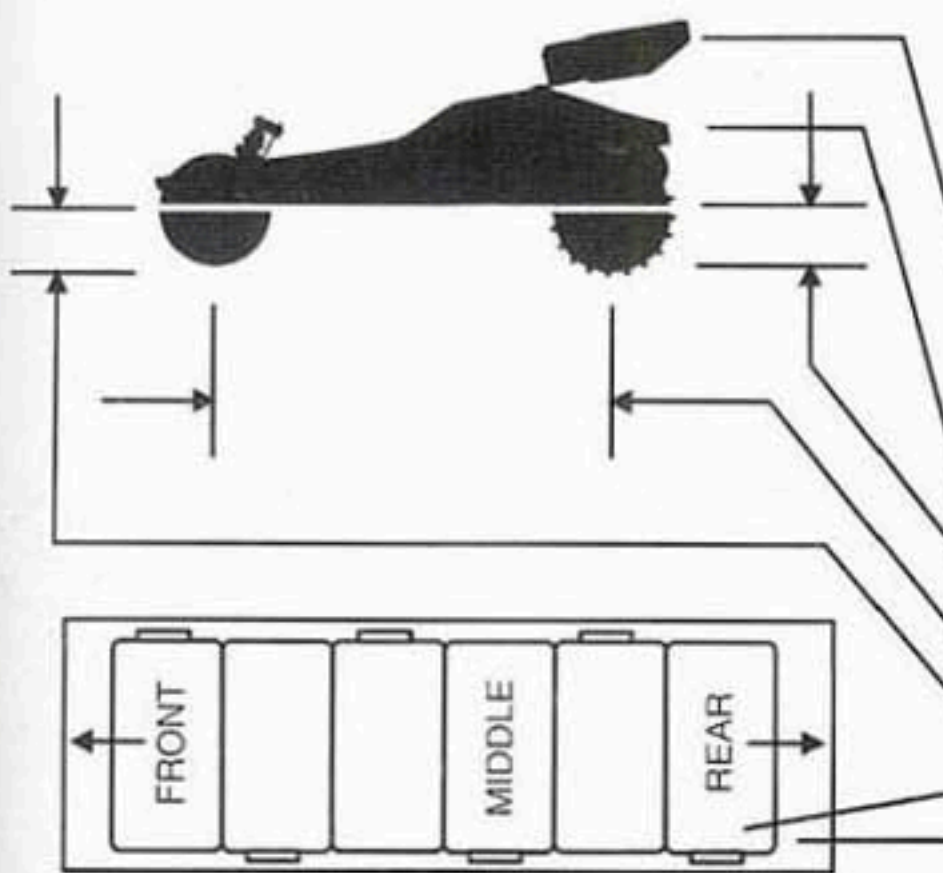


# B2 SETTING SHEET

DATE	
DRIVER	
TRACK NAME	
EVENT	

TRACK DESC.	
CAR COMMENTS	

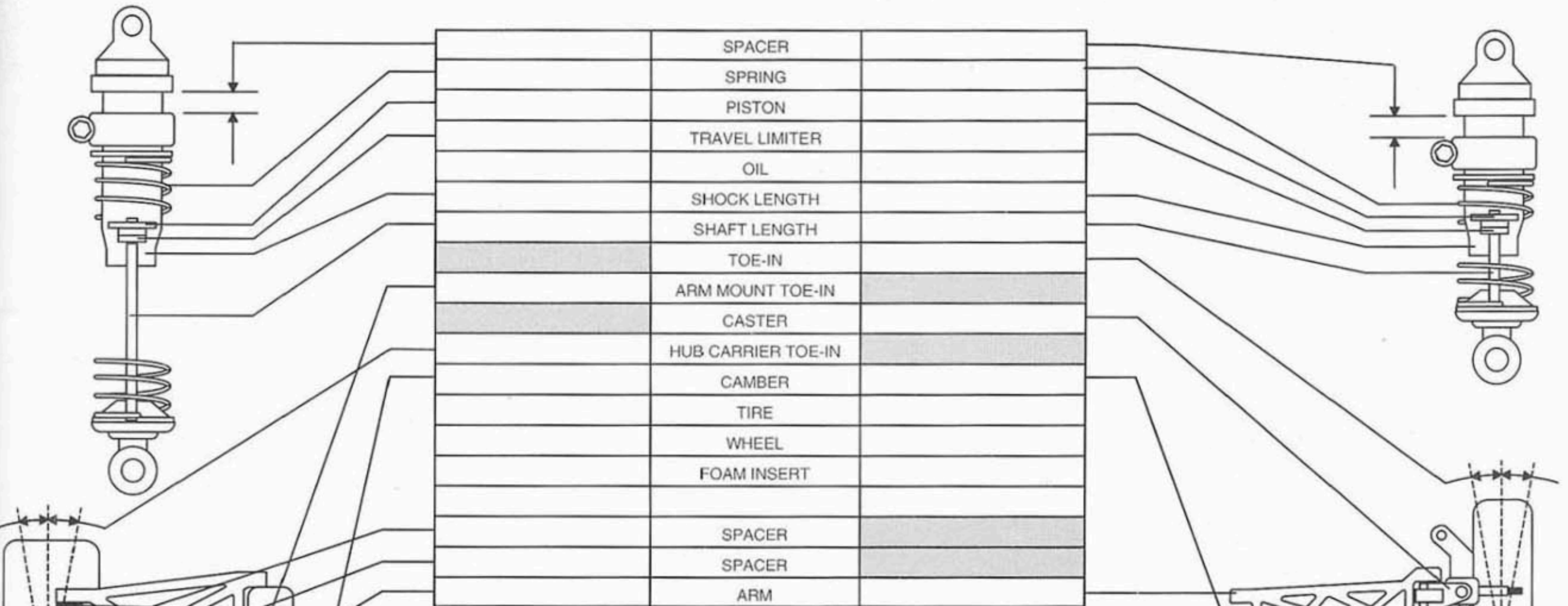


BELLCRANK TYPE	
STEERING BLOCKS	
BUMP STEER SPACERS	
MOTOR TYPE	
GEAR RATIO	
SLIPPER TYPE/SETTING	
WING TYPE	
BODY TYPE	
RIDE HEIGHT REAR	
WHEELBASE long/short	
RIDE HEIGHT FRONT	
BATTERY TYPE/# CELLS	
BATTERY POS. fr/mid/bk	

RACE COMMENTS	

**REAR**

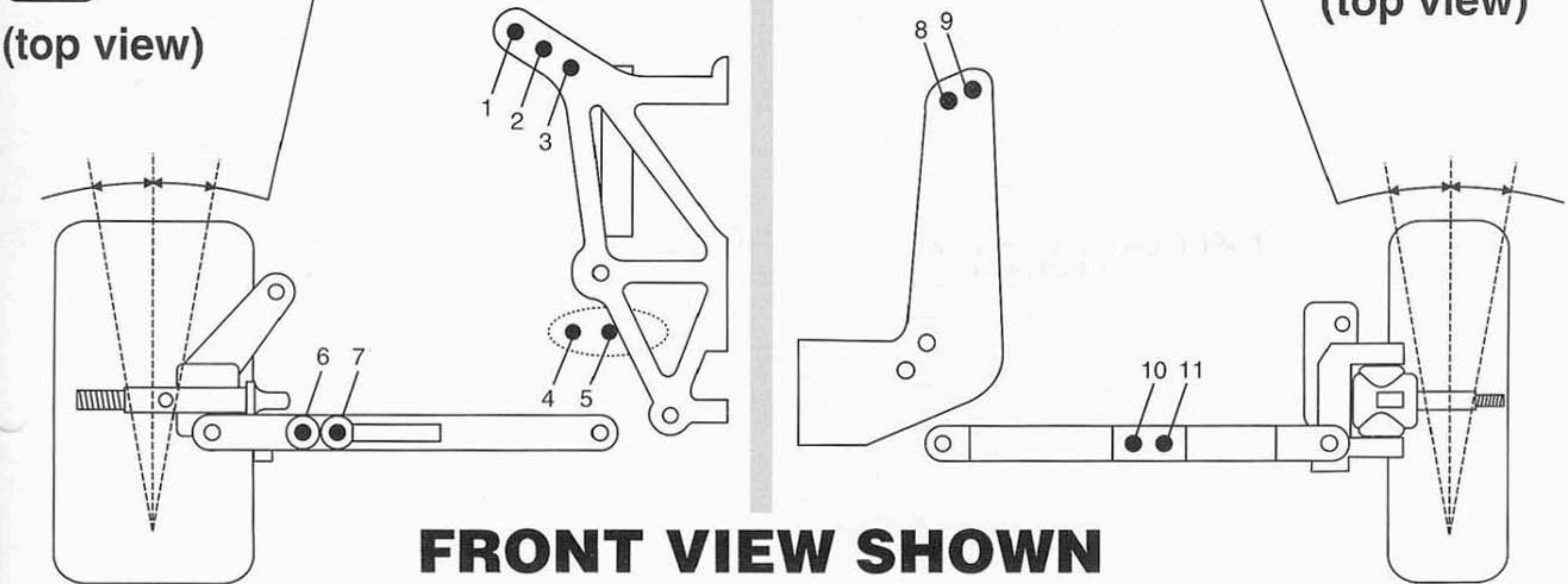
**FRONT**



(CIRCLE NO. OF POSITION USED)

(top view)

(top view)



**FRONT VIEW SHOWN**