

Front Suspension:

Ride Height:	16mm
Camber:	-1.5
Toe:	+1
Anti-Roll Bar:	1.4
Wheelbase Shim:	front
Wheel Hex:	5mm
Caster Block:	7° 10° <input checked="" type="checkbox"/> 13°
Notes:	

Axle Height:

+3

+2

+1

0

Bump Steer Spacing: 1mm

Ball Stud Spacing: 0mm

Steering Plate: kit

Ball Stud Spacing: 0mm

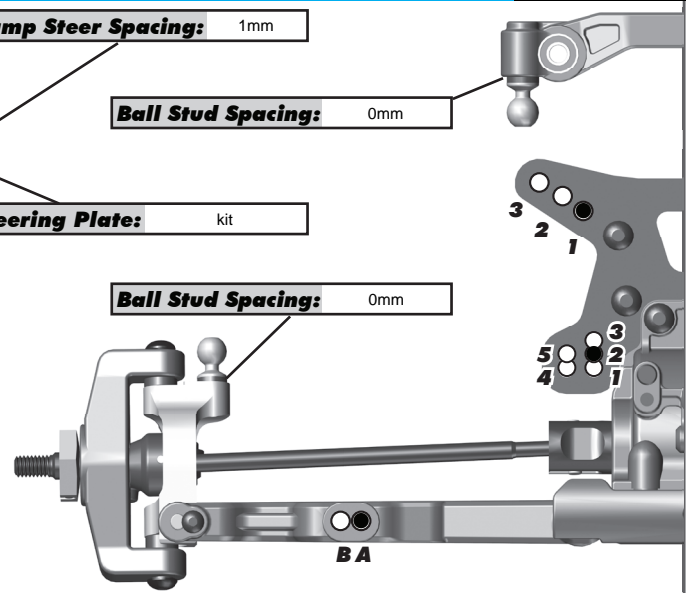
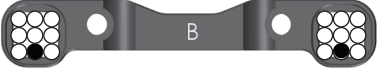
Arm Mount A:

LRC HRC 1° 0.5°



Arm Mount B:

LRC HRC 1° 0.5°



RESET

Rear Suspension:

Ride Height:	16mm
Camber:	-2
Anti-Roll Bar:	1.6
Wheelbase Shim:	front
Wheel Hex:	5mm
Hub Spacing:	Forward <input type="checkbox"/> Middle <input checked="" type="checkbox"/> Back <input type="checkbox"/>
Gearbox Shim:	Yes <input type="checkbox"/> No <input checked="" type="checkbox"/>
Chassis Brace:	Short <input type="checkbox"/> Long <input checked="" type="checkbox"/>
Notes:	

Arm Mount C:

LRC HRC 1° 0.5°



Arm Mount D:

LRC HRC 1° 0.5°



Rear Hub Link Setting:

Up

E A

D B

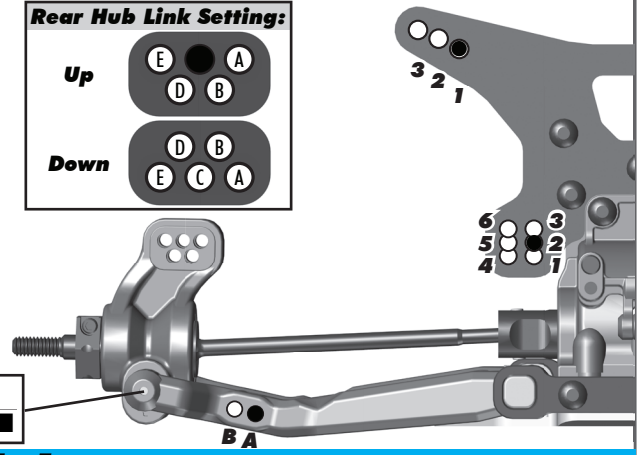
Down

D B

E C A

Hub Insert:

+3 +2 +1 0



Electronics:

Radio:	M12	Servo:	Reedy
EPA: Throttle:	100 %	Brake:	83 %
ESC:	Reedy		
ESC Settings:			
Motor:	Reedy		
Wind:	6.5	Timing:	20
Pinion:	21	Spur:	81
Battery:			
Battery Position:			

Differential:

Front Fluid:	10K
Gears:	Plastic <input type="checkbox"/> Metal <input checked="" type="checkbox"/>
Center Fluid:	300K
Gears:	Plastic <input type="checkbox"/> Metal <input type="checkbox"/>
Rear Fluid:	7k
Gears:	Plastic <input type="checkbox"/> Metal <input checked="" type="checkbox"/>
Slipper Clutch:	
Type:	
# of Pads:	

Shocks:

	Front	Rear
Piston:	2*1.6	2*1.7
Fluid:	35	27.5
Spring:	Orange	Blue
Limiters:		
Stroke:	24	29.5
Eyelet Length:	long	short
Cup Offset:	+5	0
Notes:		



Track Info:

Size:	Small <input checked="" type="checkbox"/> Medium <input type="checkbox"/> Large <input type="checkbox"/> Extra Large <input type="checkbox"/>
Surface:	Dirt <input type="checkbox"/> Carpet <input checked="" type="checkbox"/> Astroturf <input type="checkbox"/> Multi Surface <input type="checkbox"/>
Traction:	Low <input type="checkbox"/> Medium <input checked="" type="checkbox"/> High <input type="checkbox"/> Very High <input type="checkbox"/>
Moisture:	Dry <input checked="" type="checkbox"/> Damp <input type="checkbox"/> Wet <input type="checkbox"/>
Condition:	Indoor <input type="checkbox"/> Outdoor <input checked="" type="checkbox"/> Dusty <input type="checkbox"/> Hard Packed <input type="checkbox"/>
	Bumpy <input checked="" type="checkbox"/> Grooved <input type="checkbox"/> Smooth <input type="checkbox"/> Loamy <input type="checkbox"/>
Temperature:	Ambient: _____ Track: _____
Notes:	

Tires:

Front Tires:	MINI PIN
Front Compound:	Yellow
Front Insert:	Medium
Rear Tires:	MINI PIN
Rear Compound:	Yellow
Rear Insert:	Medium
Wheel (F/R):	
Notes:	

Body, Wing, Weight:

Body:	JC LIGHT
Wing:	JC AREO
Wing Angle:	0° <input type="checkbox"/> 3° <input type="checkbox"/> 6° <input checked="" type="checkbox"/>
Chassis Weights:	None <input type="checkbox"/> 15g <input checked="" type="checkbox"/> 30g <input type="checkbox"/> Other <input type="checkbox"/>
Other Weights:	
Total Vehicle Weight:	

Vehicle Comments:

Notes: _____