

SET-UP SHEET

XRAY X1

RACE	Polish Championships rd4
TRACK	Jelcz-Laskowice - Poland

NAME	MILAN
CITY / COUNTRY	Jelcz-Laskowice, Poland
CONTACT	FB - MILAN RC

DATE	28/06/2015
------	------------

QUALIFYING POSITION	BEST LAPTIME /sec	FINAL POSITION	RACE LENGTH /min
2	15,6	1	

TRACK	
TRACK SURFACE	<input type="checkbox"/> CARPET <input checked="" type="checkbox"/> ASPHALT
TRACK LAYOUT	<input type="checkbox"/> TECHNICAL <input checked="" type="checkbox"/> MIXED <input type="checkbox"/> FAST
TRACTION	<input checked="" type="checkbox"/> LOW <input type="checkbox"/> MEDIUM <input type="checkbox"/> HIGH

CENTER SHOCK ABSORBER		
SPRING	OIL /cSt	REBOUND /%
2,0	600	0
PISTON		HOLES DIAMETER /ø
<input type="checkbox"/> 2 HOLES <input checked="" type="checkbox"/> 3 HOLES	<input type="checkbox"/> 1.1mm <input checked="" type="checkbox"/> 1.2mm <input type="checkbox"/> 1.3mm	

SIDE SHOCK	
OIL /cSt	10k

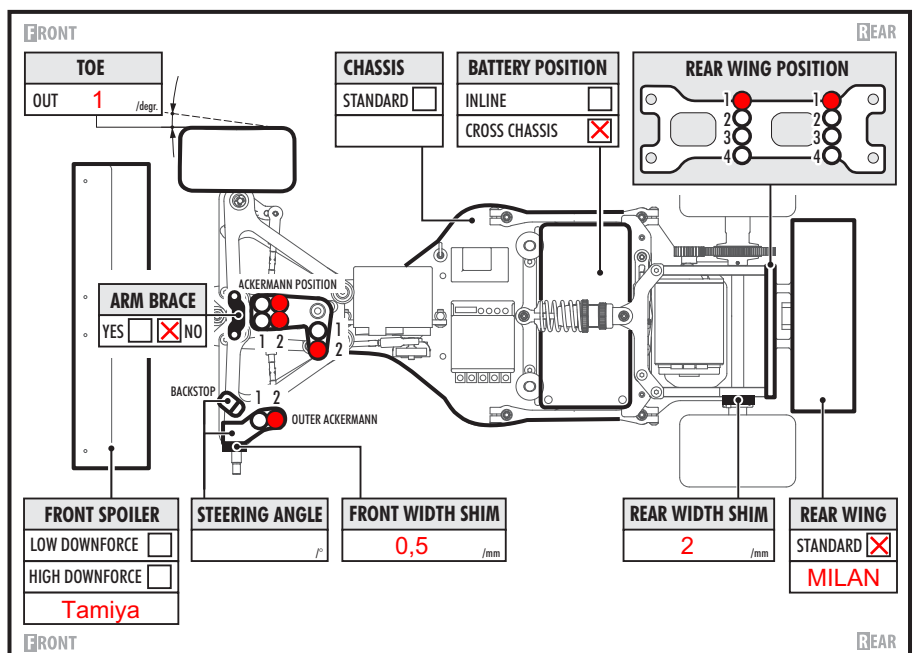
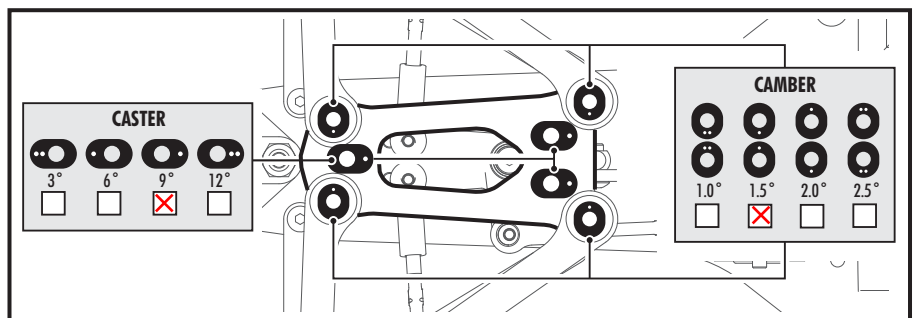
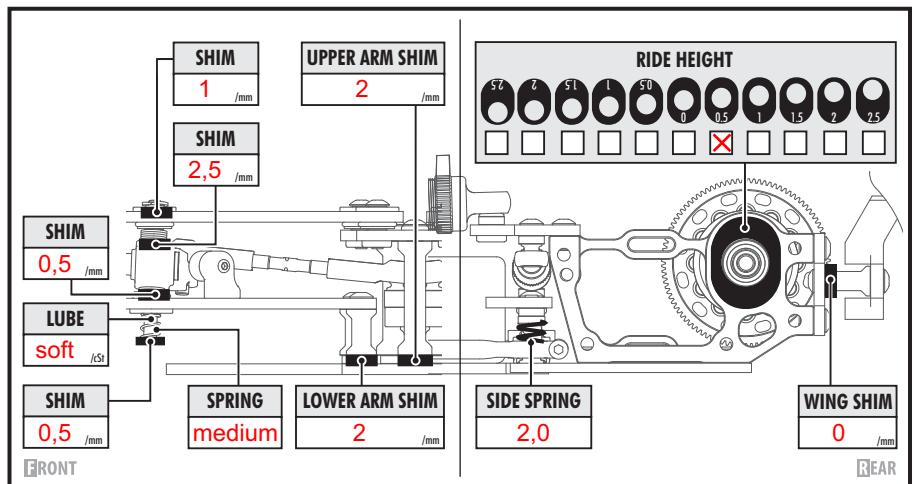
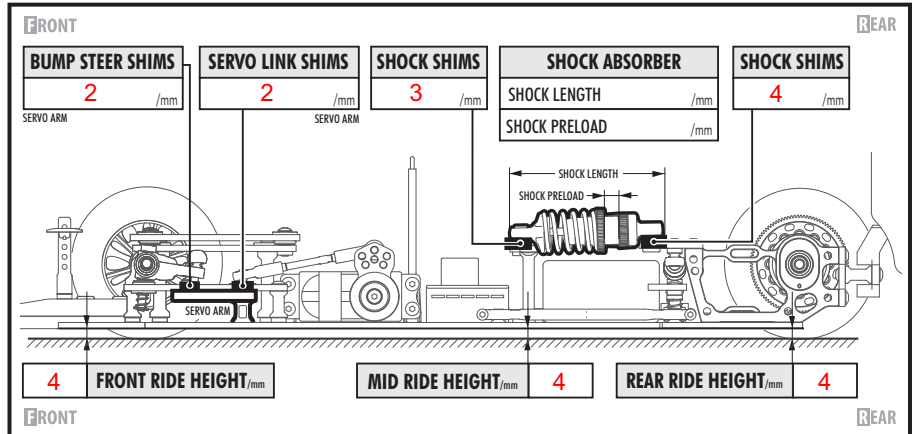
FRONT	TIRES	REAR	
RIDE R1	TIRES	RIDE R1	
CS	ADDITIVE	CS	
25	ADDITIVE TIMING	25	
FRONT LEFT	FRONT RIGHT	REAR LEFT	REAR RIGHT
ADDITIVE TREATED AREA			

DIFF SETTING			
<input type="checkbox"/>	<input checked="" type="checkbox"/>	<input type="checkbox"/>	<input type="checkbox"/>
LOOSE	MEDIUM	TIGHT	

GEARING		
PINION /T	SPUR GEAR /T	FINAL DRIVE RATIO
38	96	2,52

ELECTRONICS	
MOTOR	LRP 17,5T
SPEEDO	Dualsky 550JM - blinky mode
BATTERIES	KS Racing

BODY	
Xray	



COMMENTS	
----------	--