

# SET-UP SHEET

# XRAY X1

RACE	Polish Championships Finals
TRACK	Ruda ?l?ska - Poland

NAME	Michal Milanowicz
CITY / COUNTRY	Ruda ?l?ska, Poland
CONTACT	michal.milanowicz@wp.pl

DATE	13/09/2015
------	------------

QUALIFYING POSITION	BEST LAPTIME /sec	FINAL POSITION	RACE LENGTH /min
2	18,1	3	

TRACK			
TRACK SURFACE	<input type="checkbox"/> CARPET	<input checked="" type="checkbox"/> ASPHALT	
TRACK LAYOUT	<input type="checkbox"/> TECHNICAL	<input type="checkbox"/> MIXED	<input checked="" type="checkbox"/> FAST
TRACTION	<input type="checkbox"/> LOW	<input checked="" type="checkbox"/> MEDIUM	<input type="checkbox"/> HIGH

CENTER SHOCK ABSORBER			
SPRING	OIL /cSt	REBOUND /%	
2,0	550		
PISTON		HOLES DIAMETER /ø	
<input type="checkbox"/> 2 HOLES	<input checked="" type="checkbox"/> 3 HOLES	<input type="checkbox"/> 1.1mm	<input checked="" type="checkbox"/> 1.2mm
		<input type="checkbox"/> 1.3mm	

SIDE SHOCK	
OIL /cSt	10k

FRONT	TIRES	REAR
RIDE R1	TIRES	RIDE R1
CS	ADDITIVE	CS
30	ADDITIVE TIMING	30

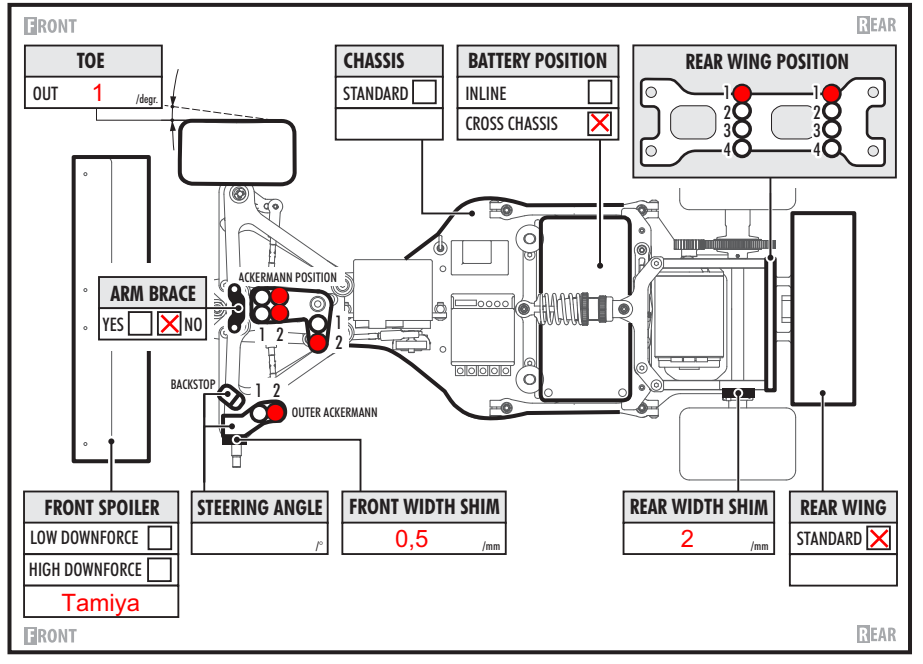
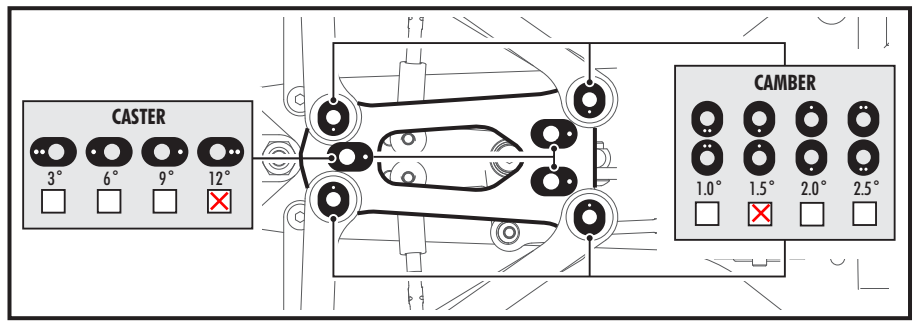
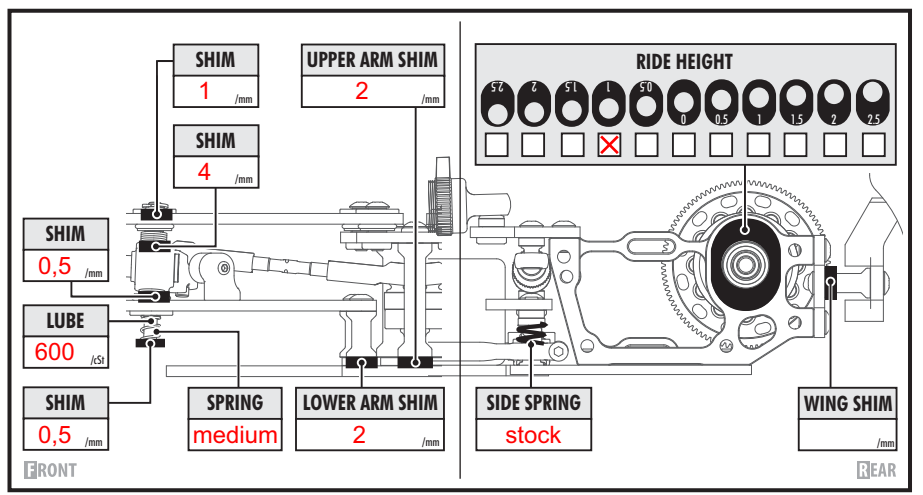
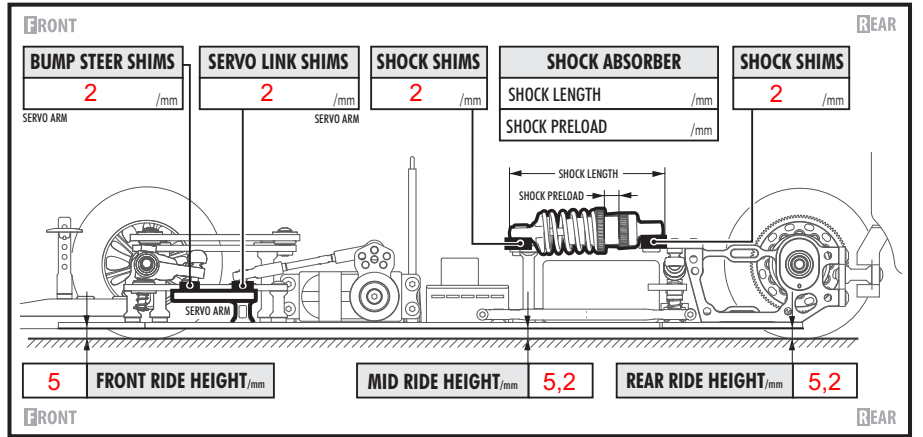
FRONT LEFT	FRONT RIGHT	ADDITIVE TREATED AREA	REAR LEFT	REAR RIGHT

DIFF SETTING			
<input type="checkbox"/>	<input type="checkbox"/>	<input type="checkbox"/>	<input checked="" type="checkbox"/>
LOOSE	MEDIUM		TIGHT

GEARING		
PINION /T	SPUR GEAR /T	FINAL DRIVE RATIO
40	80	2,0

ELECTRONICS	
MOTOR	LRP 17,5T
SPEEDO	Dualsky 550JM - blinky mode
BATTERIES	KS Racing

BODY	
Xray	



COMMENTS	
----------	--