

SET-UP SHEET

XRAY X1

RACE: **zac4**
 TRACK: **MACH heemstede, holland**

NAME: **Jitse Miedema**
 CITY / COUNTRY: **Kudelstaart, Netherlands**
 CONTACT: **contact me on facebook**

DATE: **06/07/2015**

QUALIFYING POSITION	BEST LAPTIME /sec	FINAL POSITION	RACE LENGTH /min
1	19.7	1	10

TRACK

TRACK SURFACE: CARPET ASPHALT
 TRACK LAYOUT: TECHNICAL MIXED FAST
 TRACTION: LOW MEDIUM HIGH

CENTER SHOCK ABSORBER

SPRING: **HPI Pink** OIL /cSt: **500** REBOUND /%: **10**

PISTON: 2 HOLES 3 HOLES
 HOLES DIAMETER /ø: 1.1mm 1.2mm 1.3mm

SIDE SHOCK

OIL /cSt: **20.000**

FRONT	TIRES	REAR
Ride R1	TIRES	Ride R1
Japp drap V2	ADDITIVE	Japp drap V2
5	ADDITIVE TIMING	30
FRONT LEFT 	FRONT RIGHT 	REAR LEFT
	ADDITIVE TREATED AREA	REAR RIGHT

DIFF SETTING

LOOSE MEDIUM TIGHT

GEARING

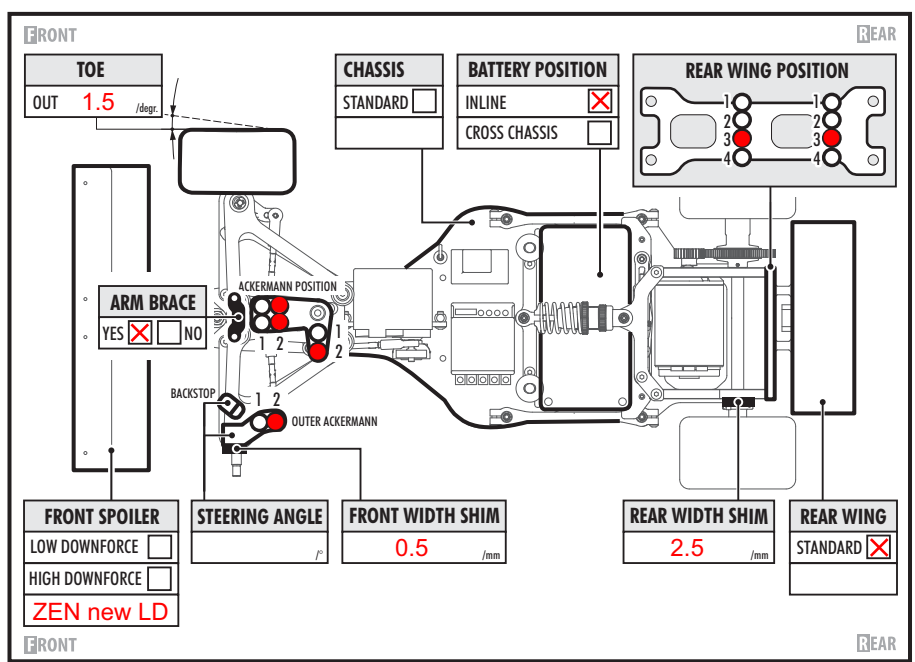
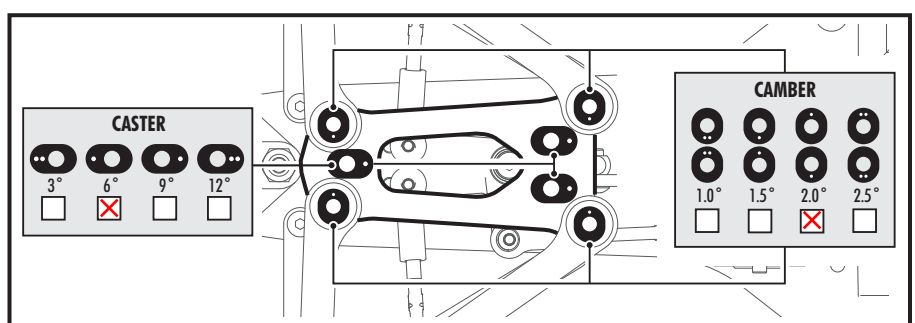
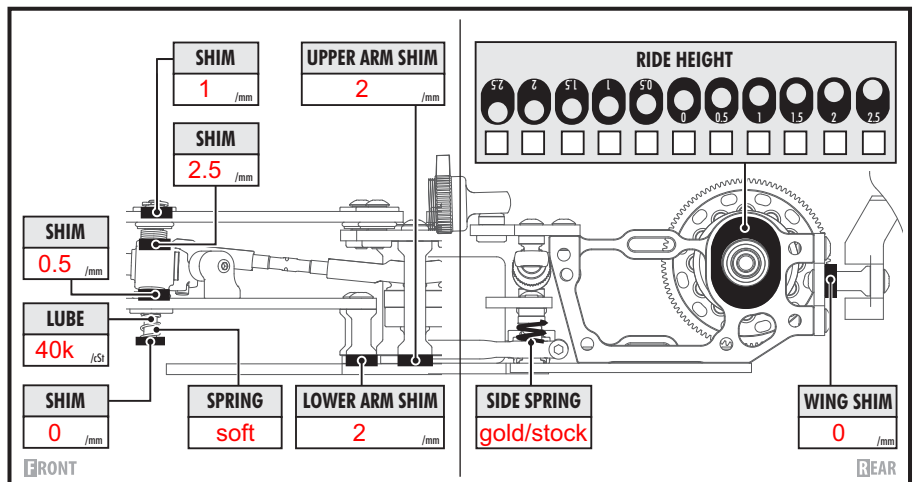
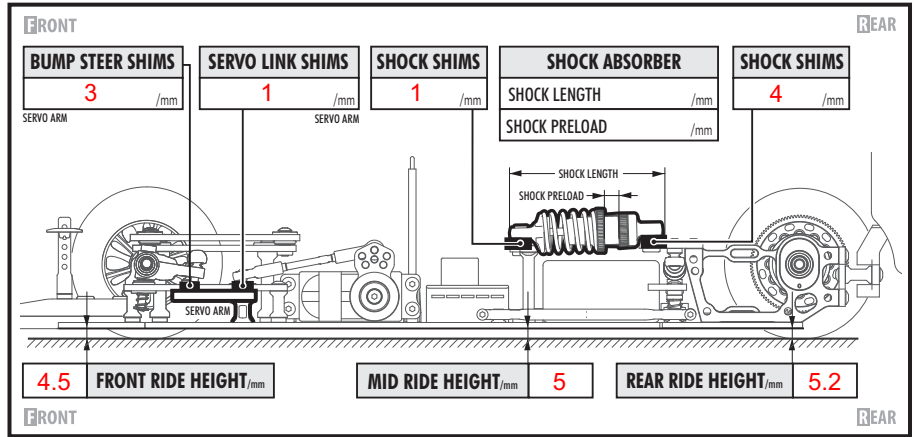
PINION /T: **42** SPUR GEAR /T: **80** FINAL DRIVE RATIO: **1.9**

ELECTRONICS

MOTOR: **Hobbywing 21.5**
 SPEEDO: **Hobbywing Justock**
 BATTERIES: **4500 100C Orion**

BODY

original Xray



COMMENTS

rear tyres held good, but where to old. new tyres will need a bigger frontwing