

SET-UP SHEET

XRAY X1

RACE: **international dutch F1 masters**
 TRACK: **MACH heemstede, holland**

NAME: **Jitse Miedema**
 CITY / COUNTRY: **Kudelstaart, Netherlands**
 CONTACT: **@ facebook**

DATE: **23/04/2015**

QUALIFYING POSITION	BEST LAPTIME /sec	FINAL POSITION	RACE LENGTH /min
2	20.3	1	7

TRACK

TRACK SURFACE: CARPET ASPHALT
 TRACK LAYOUT: TECHNICAL MIXED FAST
 TRACTION: LOW MEDIUM HIGH

CENTER SHOCK ABSORBER

SPRING: **HPI silver** OIL /cSt: **650** REBOUND /%: **20**

PISTON: 2 HOLES 3 HOLES
 HOLES DIAMETER /ø: 1.1mm 1.2mm 1.3mm

SIDE SHOCK

OIL /cSt: **600**

FRONT	TIRES	REAR
Ride R1	TIRES: Ride R1	Ride R1
Japp drap V2	ADDITIVE: Japp drap V2	Japp drap V2
long as possible	ADDITIVE TIMING: long as possible	long as possible

FRONT LEFT: FRONT RIGHT:
 REAR LEFT: REAR RIGHT:

DIFF SETTING

LOOSE MEDIUM TIGHT

GEARING

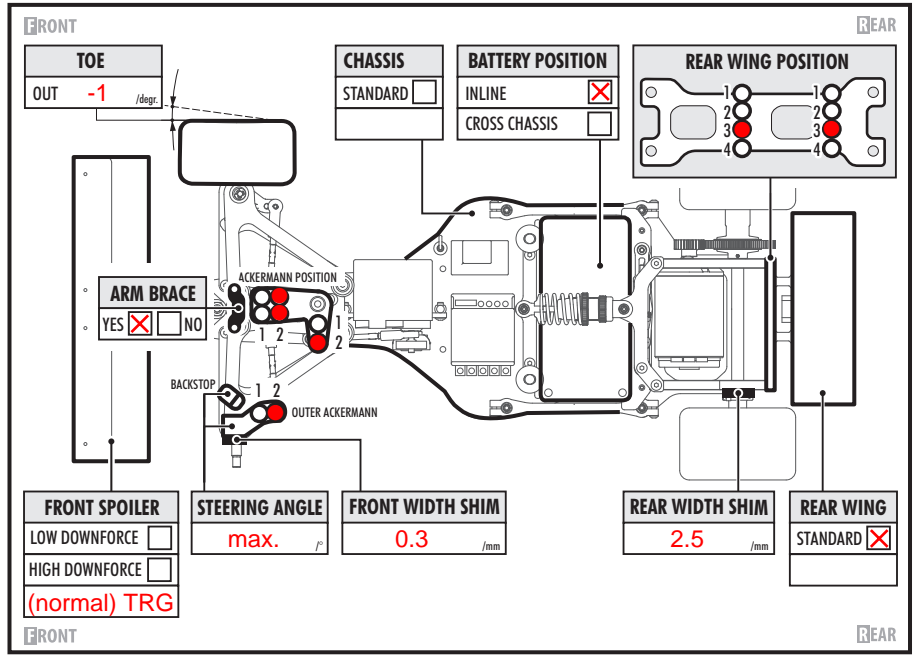
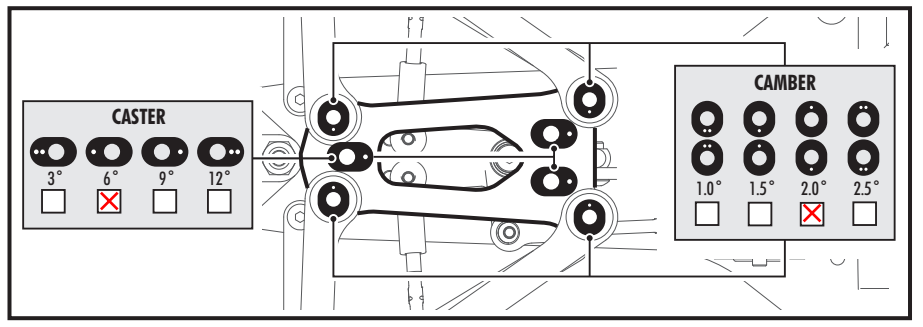
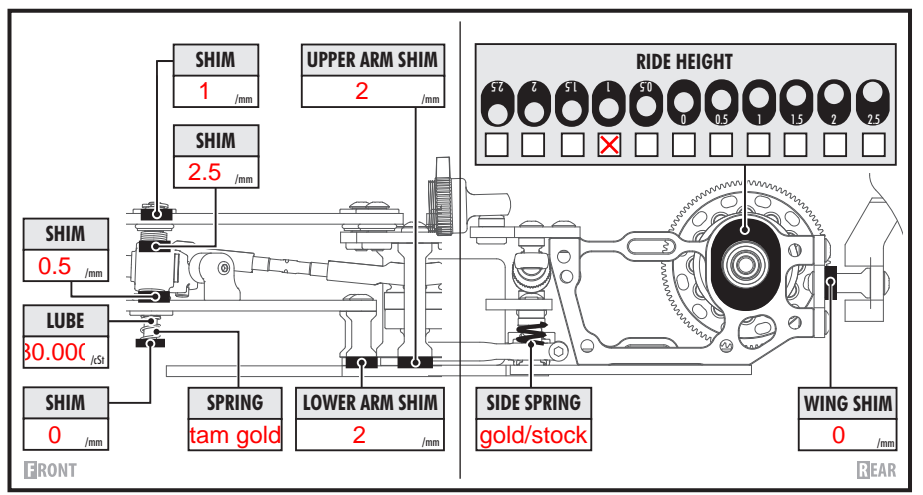
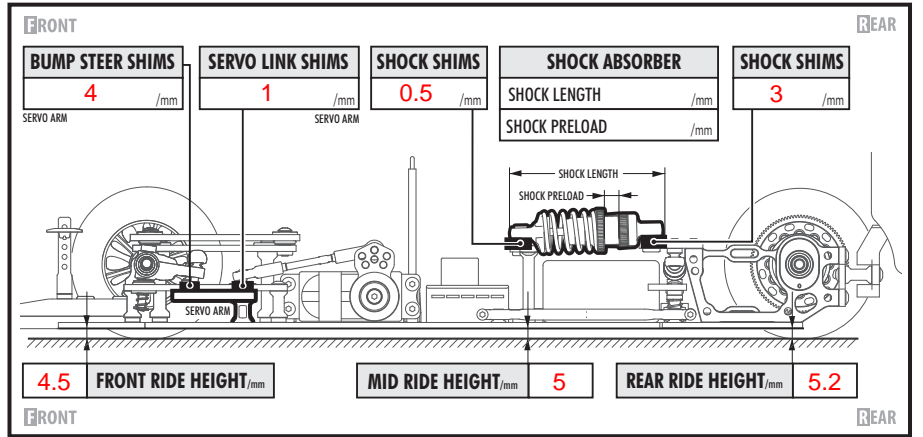
PINION /T: **42** SPUR GEAR /T: **80** FINAL DRIVE RATIO: **1.9**

ELECTRONICS

MOTOR: **Hobbywing 21.5**
 SPEEDO: **Hobbywing Justock**
 BATTERIES: **4500 100C Orion**

BODY

original Xray



COMMENTS

Extra Pod-brace like the Xray X12
0.5mm Dive at upper front arms
front brace, shimmed 3mm high