

SET-UP SHEET

XRAY X1

RACE **ETS Mattsee starting setup X1**

TRACK **Mattsee**

NAME **Jan Ratheisky**

CITY / COUNTRY **Mattsee, Germany**

CONTACT **j.ratheisky@gmail.com**

DATE **28/04/2015**

QUALIFYING POSITION	BEST LAPTIME /sec	FINAL POSITION	RACE LENGTH /min

TRACK

TRACK SURFACE CARPET ASPHALT

TRACK LAYOUT TECHNICAL MIXED FAST

TRACTION LOW MEDIUM HIGH

CENTER SHOCK ABSORBER

SPRING **2.2** OIL /cSt **450** REBOUND /% **50**

PISTON 2 HOLES 3 HOLES

HOLES DIAMETER /ø 1.1mm 1.2mm 1.3mm

SIDE SHOCK

OIL /cSt **450**

FRONT	TIRES	REAR
Ride	TIRES	Ride
Hudy	ADDITIVE	Hudy
20	ADDITIVE TIMING	20
FRONT LEFT 	ADDITIVE TREATED AREA	REAR LEFT
FRONT RIGHT 		REAR RIGHT

DIFF SETTING

LOOSE MEDIUM TIGHT

GEARING

PINION /T **38** SPUR GEAR /T **96** FINAL DRIVE RATIO **2.52**

ELECTRONICS

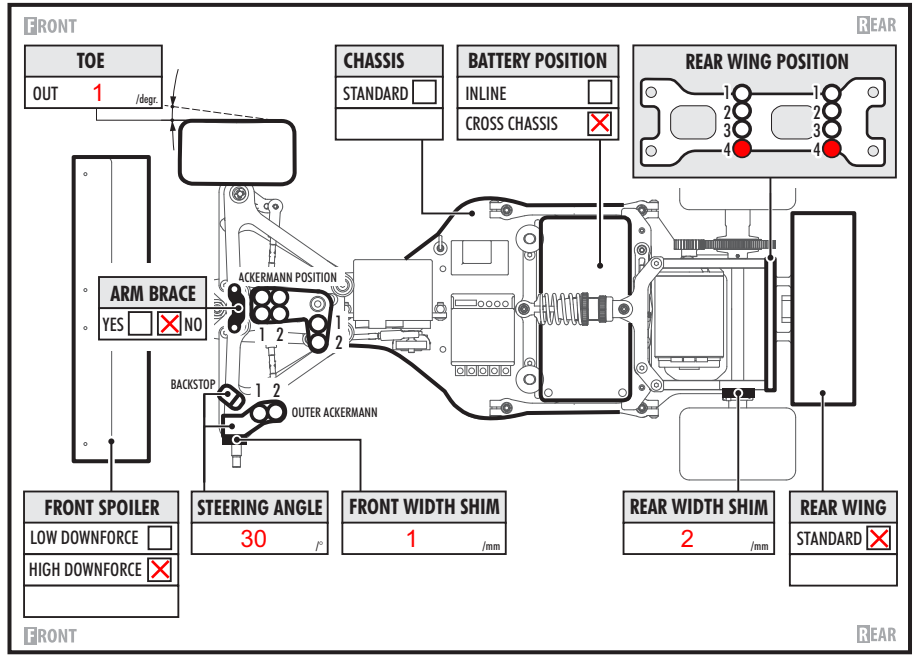
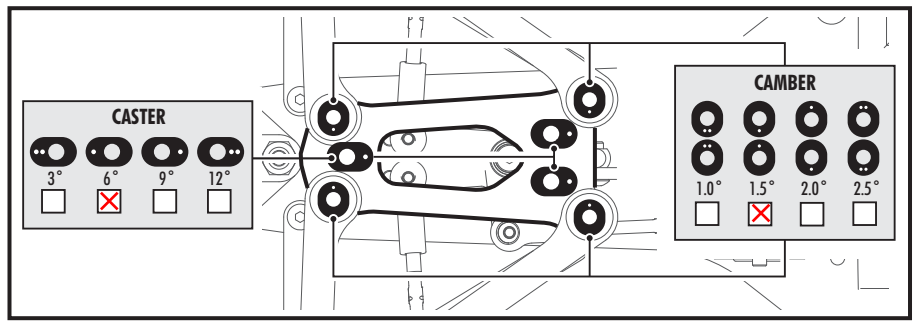
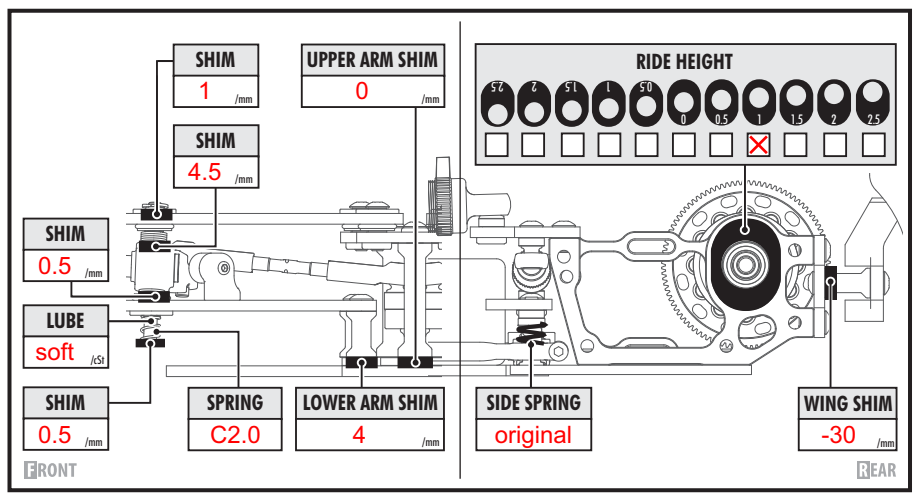
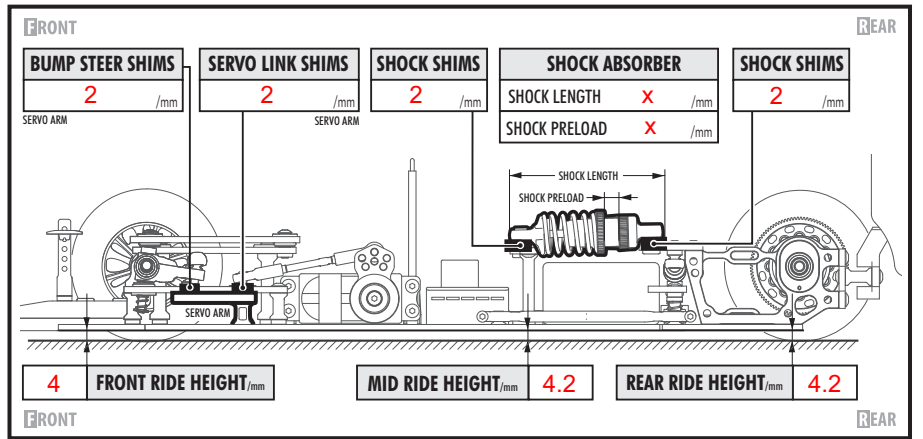
MOTOR **Handout**

SPEEDO **Handout**

BATTERIES **LRP**

BODY

Xray



COMMENTS

Rear Wing - Lower Wing cutted and mounted in front of the carbon holder 2mm Antidive mounted at the rear upper carbon wishbone