

# SET-UP SHEET

# XRAY X1

RACE	ETS Mattsee
TRACK	Mattsee

NAME	Jan Ratheisky
CITY / COUNTRY	Mattsee, Austria
CONTACT	j.ratheisky@gmail.com

DATE	03/05/2015
------	------------

QUALIFYING POSITION	BEST LAPTIME /sec	FINAL POSITION	RACE LENGTH /min
1	x	1	5

TRACK		
TRACK SURFACE	<input type="checkbox"/> CARPET	<input checked="" type="checkbox"/> ASPHALT
TRACK LAYOUT	<input checked="" type="checkbox"/> TECHNICAL	<input type="checkbox"/> MIXED <input type="checkbox"/> FAST
TRACTION	<input checked="" type="checkbox"/> LOW	<input type="checkbox"/> MEDIUM <input type="checkbox"/> HIGH

CENTER SHOCK ABSORBER		
SPRING	OIL /cSt	REBOUND /%
2.2	450	50
PISTON		HOLES DIAMETER /ø
<input type="checkbox"/> 2 HOLES	<input checked="" type="checkbox"/> 3 HOLES	<input type="checkbox"/> 1.1mm <input checked="" type="checkbox"/> 1.2mm <input type="checkbox"/> 1.3mm

SIDE SHOCK	
OIL /cSt	450

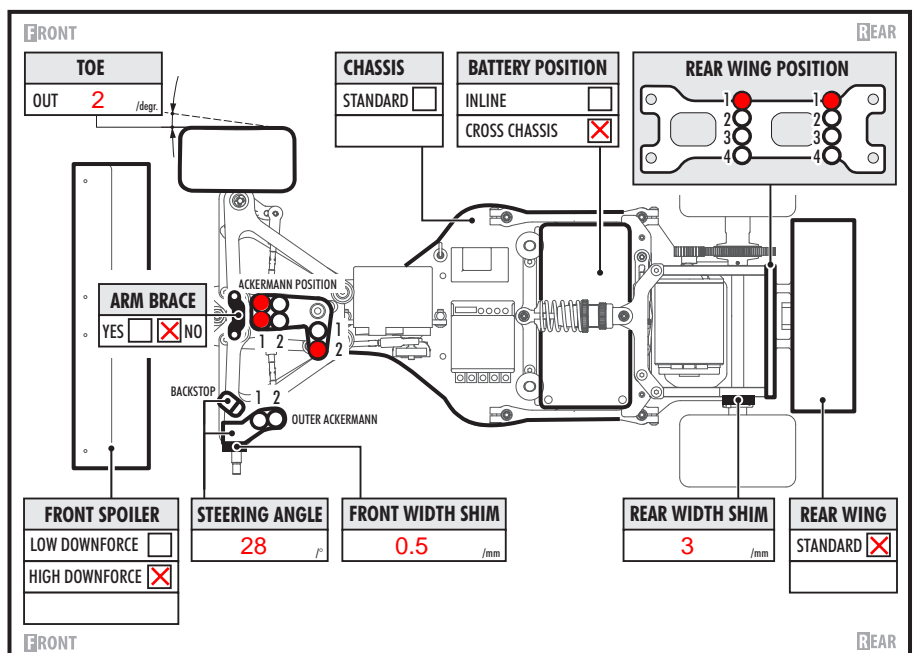
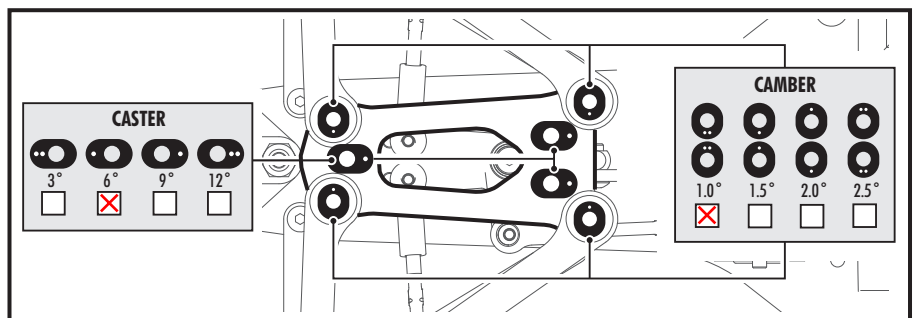
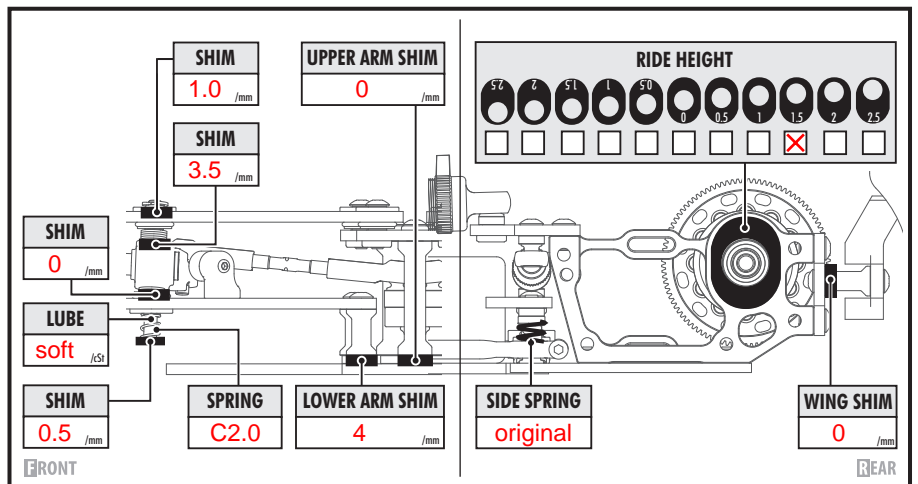
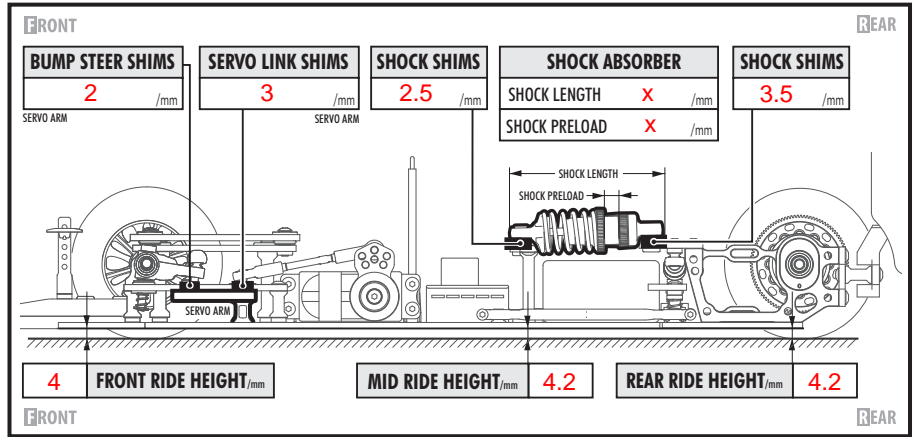
FRONT	TIRES	REAR
Ride	TIRES	Ride
Hudy	ADDITIVE	Hudy
60	ADDITIVE TIMING	60
FRONT LEFT	FRONT RIGHT	REAR LEFT
ADDITIVE TREATED AREA		REAR RIGHT

DIFF SETTING			
<input checked="" type="checkbox"/>	<input type="checkbox"/>	<input type="checkbox"/>	<input type="checkbox"/>
LOOSE	MEDIUM		TIGHT

GEARING		
PINION /T	SPUR GEAR /T	FINAL DRIVE RATIO
38	96	2.52

ELECTRONICS	
MOTOR	Handout
SPEEDO	Handout
BATTERIES	LRP 2900 LCG

BODY	
Xray	



**COMMENTS** Track was all time changing traction and also wet so this setup ist for a stable drive with less steering