

SET-UP SHEET

XRAY X1

RACE	X-Race
TRACK	Bientina

NAME	Jan Ratheisky
CITY / COUNTRY	Bientina, Italy
CONTACT	j.ratheisky@gmail.com

DATE	12/07/2015
------	------------

QUALIFYING POSITION	BEST LAPTIME /sec	FINAL POSITION	RACE LENGTH /min
1	x	1	5

TRACK	
TRACK SURFACE	<input type="checkbox"/> CARPET <input checked="" type="checkbox"/> ASPHALT
TRACK LAYOUT	<input type="checkbox"/> TECHNICAL <input checked="" type="checkbox"/> MIXED <input type="checkbox"/> FAST
TRACTION	<input type="checkbox"/> LOW <input checked="" type="checkbox"/> MEDIUM <input type="checkbox"/> HIGH

CENTER SHOCK ABSORBER		
SPRING	OIL /cSt	REBOUND /%
2.4	450	30
PISTON		HOLES DIAMETER /ø
<input type="checkbox"/> 2 HOLES <input checked="" type="checkbox"/> 3 HOLES	<input type="checkbox"/> 1.1mm <input checked="" type="checkbox"/> 1.2mm <input type="checkbox"/> 1.3mm	

SIDE SHOCK	
OIL /cSt	450*

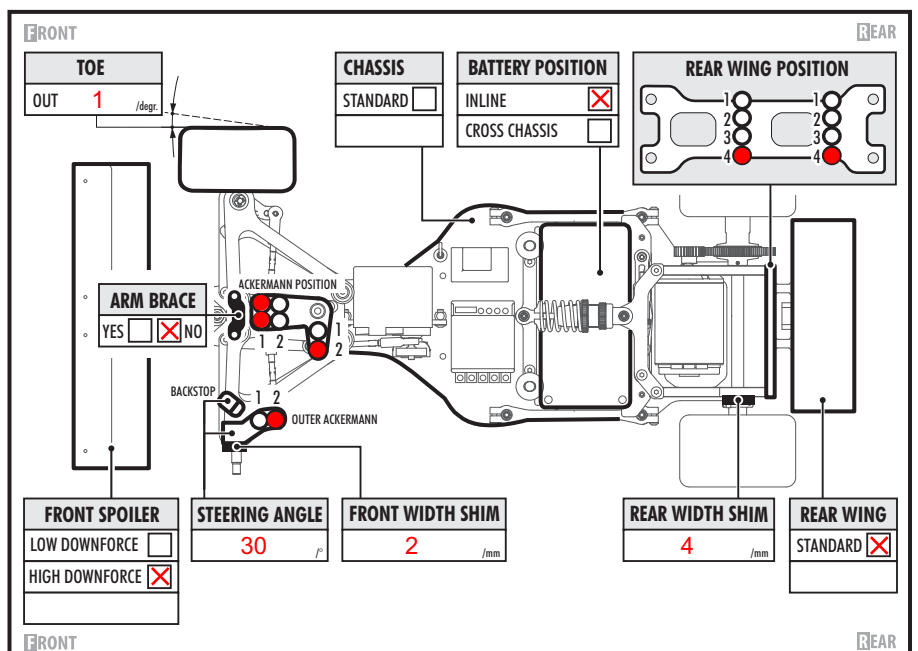
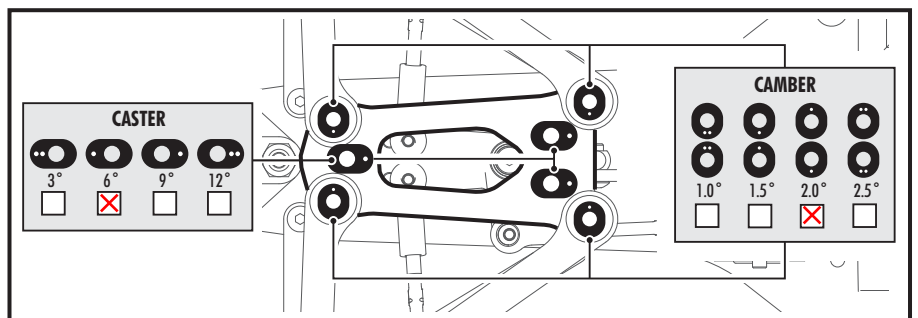
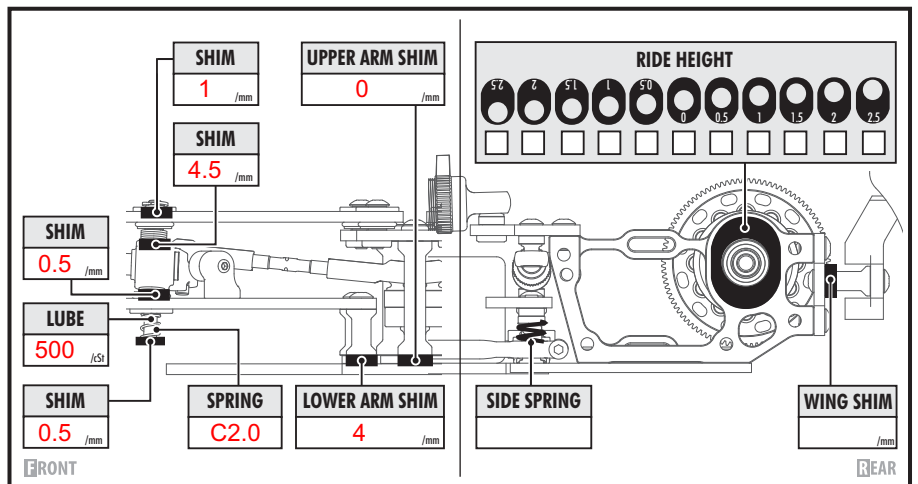
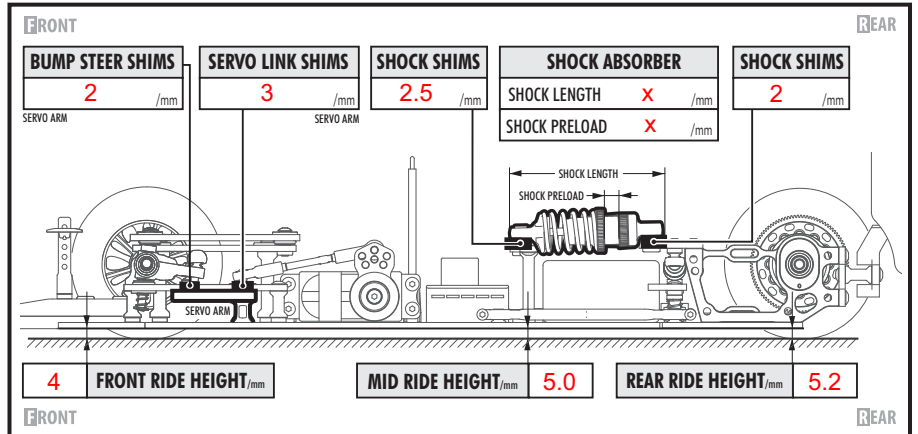
FRONT	TIRES	REAR
Hot-Race	TIRES	Hot-Race
no	ADDITIVE	no
no	ADDITIVE TIMING	no
FRONT LEFT	ADDITIVE TREATED AREA	REAR LEFT
FRONT RIGHT		REAR RIGHT

DIFF SETTING	
<input type="checkbox"/>	<input checked="" type="checkbox"/>
LOOSE	TIGHT

GEARING		
PINION /T	SPUR GEAR /T	FINAL DRIVE RATIO
88	40	2.2

ELECTRONICS	
MOTOR	Handout HW
SPEEDO	Handout HW
BATTERIES	LRP

BODY	
Xray	



COMMENTS	* We try something new wich is like 450 oil
----------	---