

SET-UP SHEET

XRAY X1

RACE	Mile High Indoor Champs
TRACK	5280 Raceway

NAME	Drew Ellis
CITY / COUNTRY	St. Louis, mo, USA/
CONTACT	Prolevelrc@gmail.com

DATE	22/04/2015
------	------------

QUALIFYING POSITION	BEST LAPTIME /sec	FINAL POSITION	RACE LENGTH /min
2nd	10.4	1st	5

TRACK	
TRACK SURFACE	<input checked="" type="checkbox"/> CARPET <input type="checkbox"/> ASPHALT
TRACK LAYOUT	<input type="checkbox"/> TECHNICAL <input checked="" type="checkbox"/> MIXED <input type="checkbox"/> FAST
TRACTION	<input type="checkbox"/> LOW <input type="checkbox"/> MEDIUM <input checked="" type="checkbox"/> HIGH

CENTER SHOCK ABSORBER		
SPRING	OIL /cSt	REBOUND /%
2.2	600	0%
PISTON		HOLES DIAMETER /ø
<input type="checkbox"/> 2 HOLES <input checked="" type="checkbox"/> 3 HOLES	<input checked="" type="checkbox"/> 1.1mm <input type="checkbox"/> 1.2mm <input type="checkbox"/> 1.3mm	

SIDE SHOCK	
OIL /cSt	350

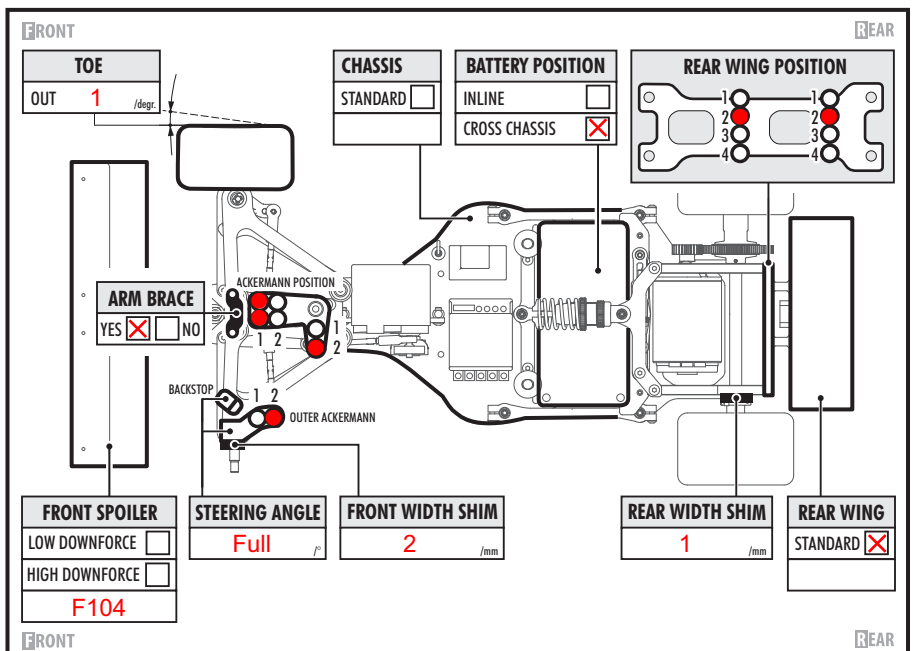
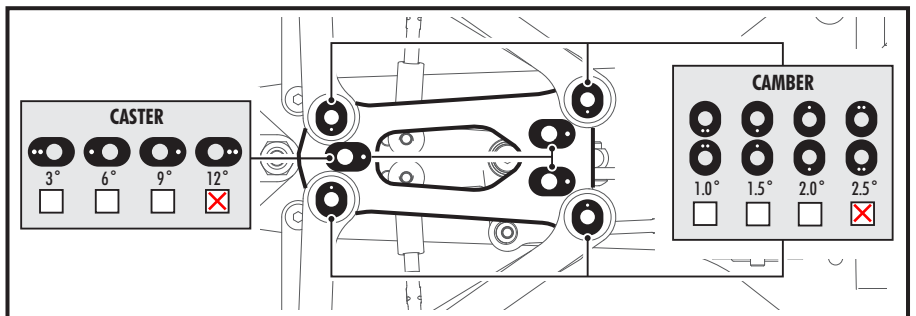
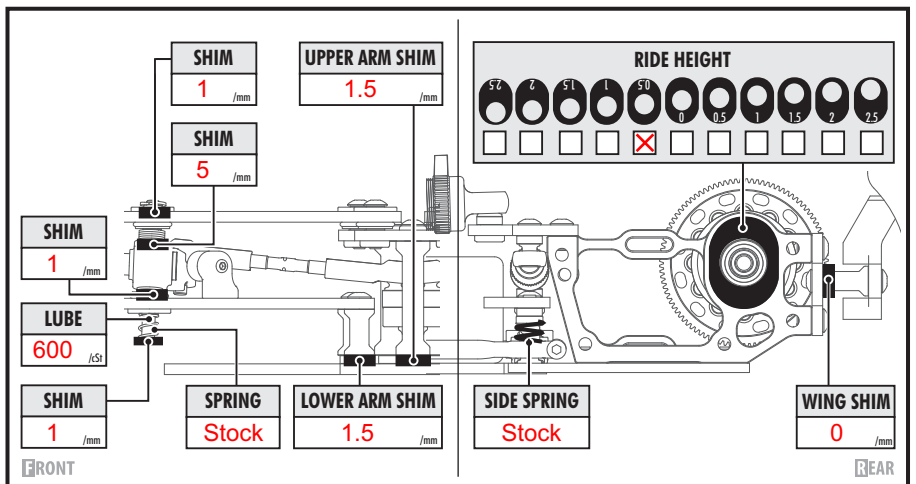
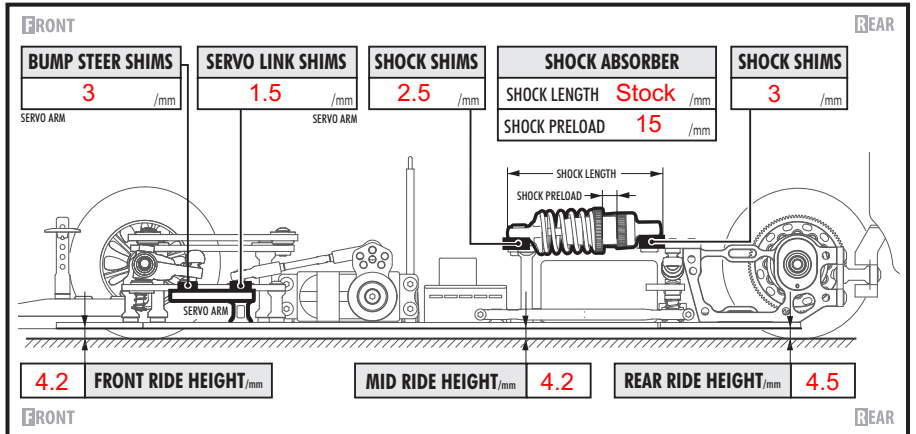
FRONT	TIRES	REAR
TCS	TIRES	TCS
SXT	ADDITIVE	SXT
5min	ADDITIVE TIMING	5min
FRONT LEFT		REAR LEFT
FRONT RIGHT		REAR RIGHT
	ADDITIVE TREATED AREA	

DIFF SETTING	
<input type="checkbox"/>	<input checked="" type="checkbox"/>
LOOSE	TIGHT

GEARING		
PINION /T	SPUR GEAR /T	FINAL DRIVE RATIO
32	93	

ELECTRONICS	
MOTOR	EAM D4
SPEEDO	Orca
BATTERIES	EAM shorty

BODY
Xray X1



COMMENTS F104 front wing, Tuning Haus wheels. Mount the rear wing on front of rear graphite plate. Moved it closer to the motor.