

SET-UP SHEET

XRAY XI'16

RACE: **ETS round 2**
 TRACK: **Muelheim-Kaerlich**

NAME: **Hector Albarracin**
 CITY / COUNTRY: **Spain**
 CONTACT: _____

DATE: _____

QUALIFYING POSITION	BEST LAPTIME /sec	FINAL POSITION	RACE LENGTH /min
15	16.3	12	5

TRACK

TRACK SURFACE: CARPET ASPHALT
 TRACK LAYOUT: TECHNICAL MIXED FAST
 TRACTION: LOW MEDIUM HIGH

CENTER SHOCK ABSORBER

SPRING: **2.6** OIL /cSt: **550** REBOUND /%: **10%**

PISTON: 2 HOLES 3 HOLES
 HOLES DIAMETER /ø: 1.1mm 1.2mm 1.3mm

SIDE TUBES: OIL /cSt: **15.000**
 SIDE SHOCK: OIL /cSt: _____

FRONT	TIRES	REAR
xr1	TIRES	xr1
hudy	ADDITIVE	hudy
25	ADDITIVE TIMING	30

FRONT LEFT FRONT RIGHT REAR LEFT REAR RIGHT
 ADDITIVE TREATED AREA

DIFF SETTING

LOOSE MEDIUM TIGHT

GEARING

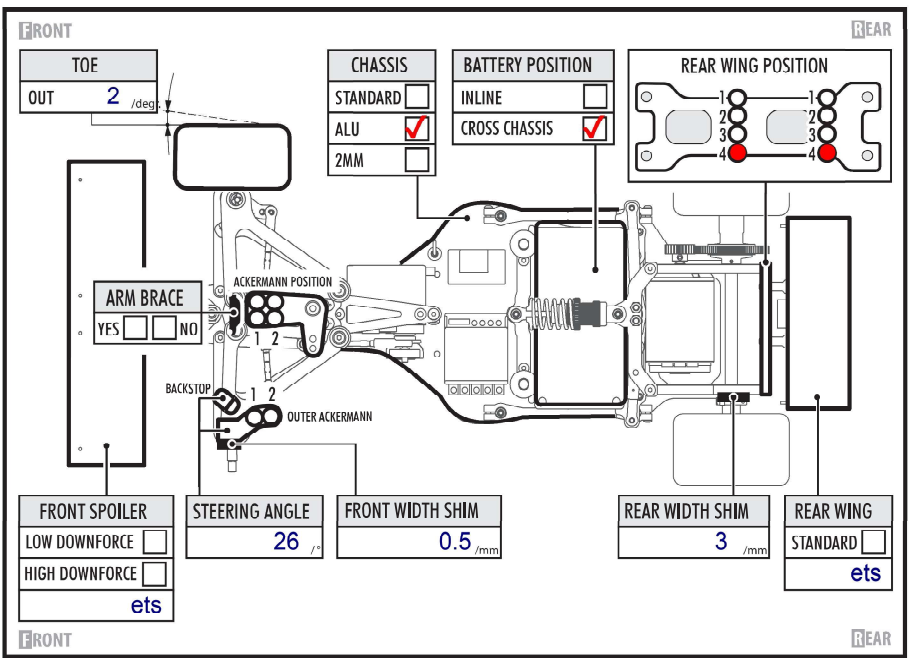
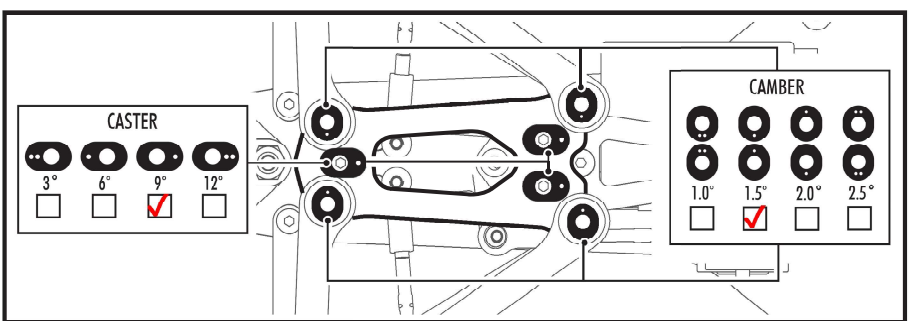
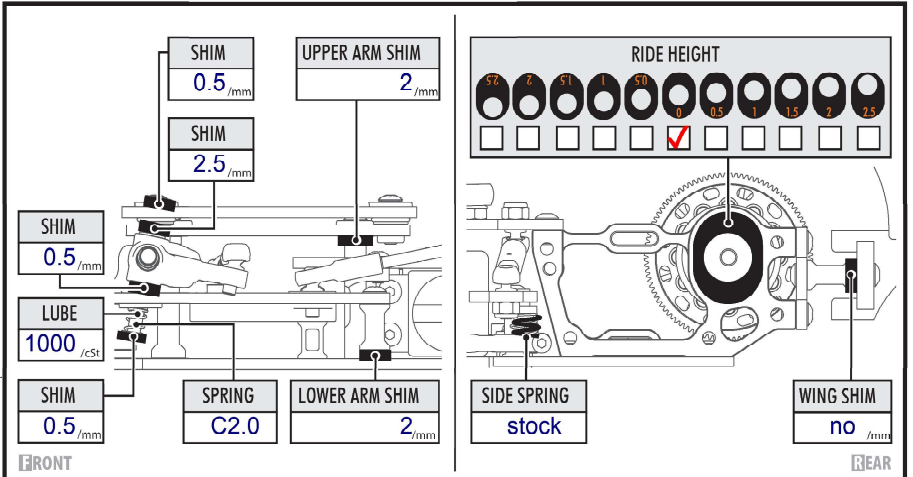
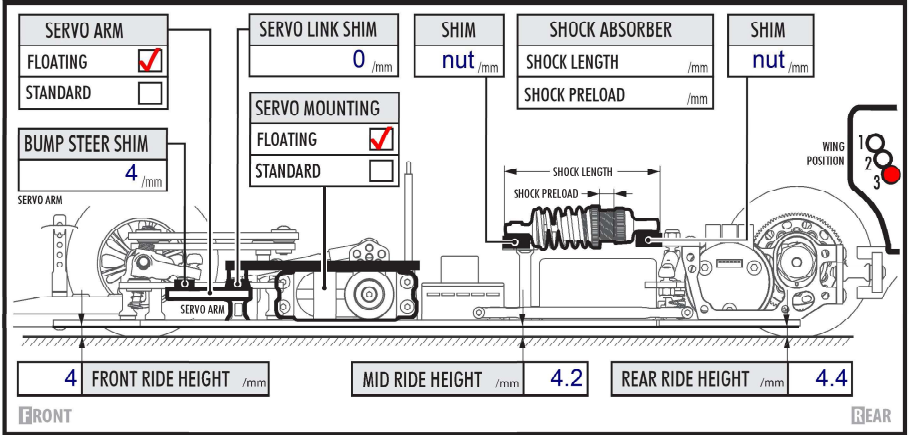
PINION /r: **37** SPUR GEAR /r: **96** PITCH: **64** FINAL DRIVE RATIO: **2,59**

ELECTRONICS

MOTOR: **hobbywing 21.5t**
 SPEEDO: **hw justock xr10**
 BATTERIES: **marka**

BODY

montech f13



flat battery, 10gr under steering plate and 10 in front of battery, total weigth 1055gr