

# SET-UP SHEET

# XRAY T4

RACE	Wounded Warriors Project Charity Race		
TRACK	The Coliseum (Carpet)		
NAME	robbie dodge		
CITY / COUNTRY	Frederick, MD	USA	
CONTACT			

DATE	11/11/2012	TEMPERATURE / °F or °C	AIR	TRACK			
QUALIFYING POSITION	3	BEST LAPTIME /sec	10.8	FINAL POSITION	4	RACE LENGTH /minutes	6

TRACK CONDITION	<input type="checkbox"/> TECHNICAL	<input checked="" type="checkbox"/> CARPET	<input type="checkbox"/> ASPHALT
TRACTION	<input type="checkbox"/> LOW	<input checked="" type="checkbox"/> MEDIUM	<input type="checkbox"/> HIGH

FRONT		REAR	
TRANSMISSION			
SOLID AXLE	<input checked="" type="checkbox"/> YES	BALL DIFFERENTIAL	<input type="checkbox"/> YES
SOLID ONE WAY DIFF.	<input type="checkbox"/> YES		
ONE WAY DIFFERENTIAL	<input type="checkbox"/> YES		
GEAR DIFFERENTIAL	<input type="checkbox"/> YES	GEAR DIFFERENTIAL	<input checked="" type="checkbox"/> YES
OIL		OIL	1000 /cst
PINION / T	51	SPUR GEAR / T	92
FINAL DRIVE RATIO	1.8039215686275	ROLLOUT	NaN

FRONT		REAR	
2.7	XRAY SPRINGS	2.7	
550	OIL / CST	550	
	LENGTH /mm		
	PRELOAD /mm		
0	REBOUND %	0	

<input type="checkbox"/> YES	<input checked="" type="checkbox"/> NO	FOAM INSERTS	<input type="checkbox"/> YES	<input checked="" type="checkbox"/> NO
<input type="checkbox"/> YES	<input checked="" type="checkbox"/> NO	O-RING ON SHAFT	<input type="checkbox"/> YES	<input checked="" type="checkbox"/> NO
<input checked="" type="checkbox"/> 3 HOLES	<input type="checkbox"/> 4 HOLES	PISTONS	<input type="checkbox"/> 3 HOLES	<input checked="" type="checkbox"/> 4 HOLES
		1.0mm		
		1.1mm		
		1.2mm		
		OTHERS		

1.4	THICKNESS/mm	ANTI-ROLL BAR	THICKNESS/mm	1.2
Jaco Blue		TIRES		Jaco Blue
		INSERTS		
SXT		ADDITIVE		SXT
10-15		ADDITIVE TIMING		10-15

<input checked="" type="checkbox"/> 3 HOLES	<input type="checkbox"/> 4 HOLES	<input type="checkbox"/> 3 HOLES	<input checked="" type="checkbox"/> 4 HOLES

1.4	THICKNESS/mm	ANTI-ROLL BAR	THICKNESS/mm	1.2
-----	--------------	---------------	--------------	-----

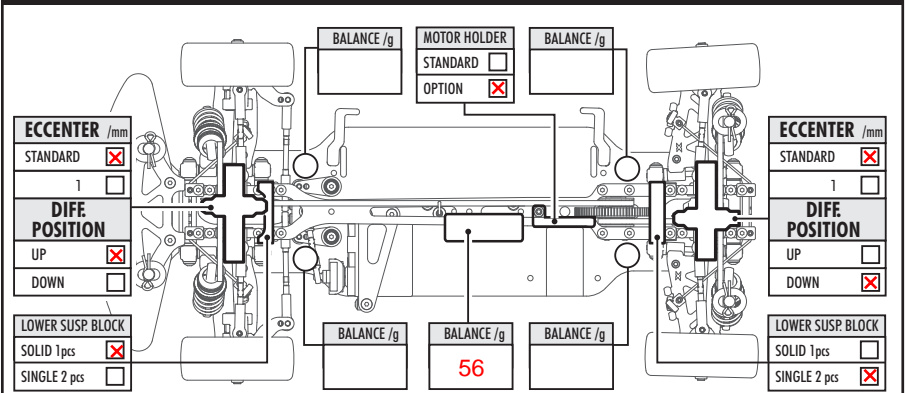
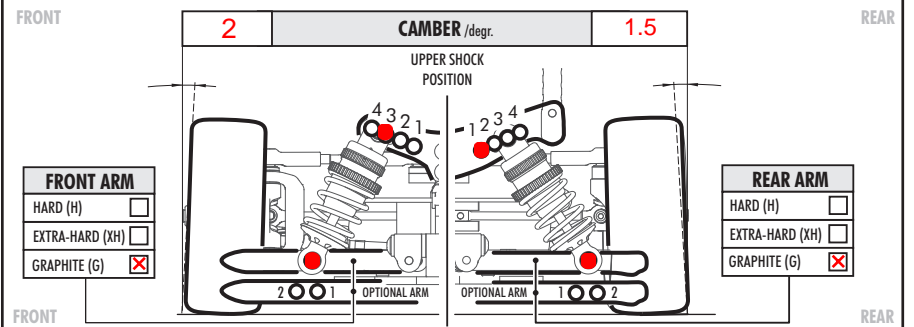
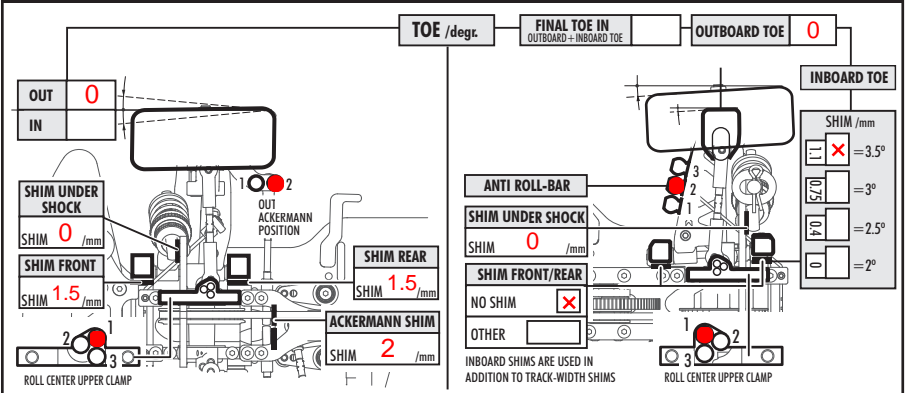
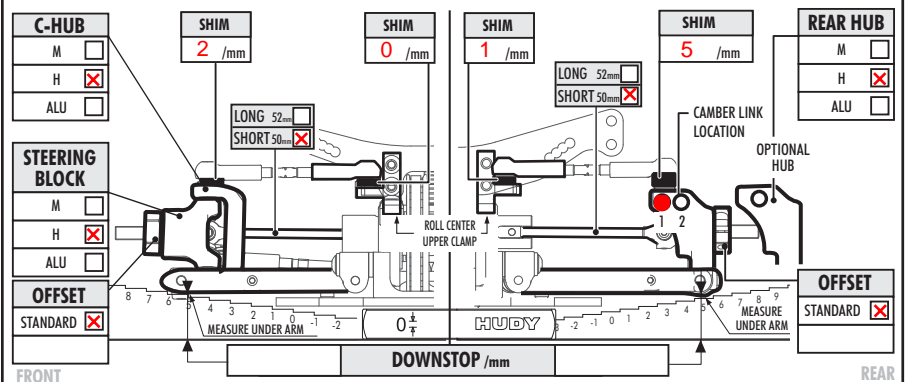
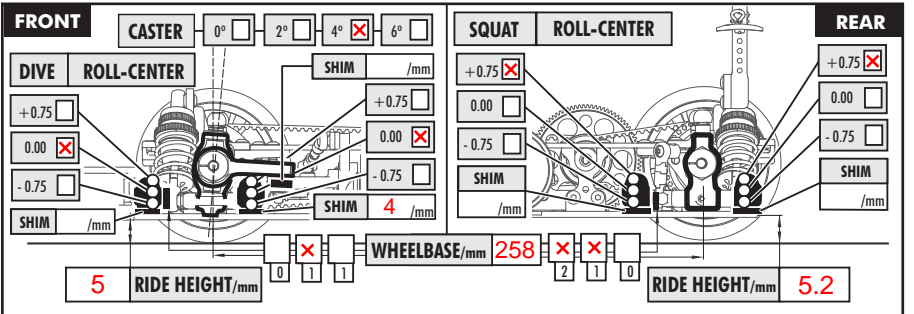
Jaco Blue		TIRES		Jaco Blue
		INSERTS		
SXT		ADDITIVE		SXT
10-15		ADDITIVE TIMING		10-15



WHEELS			
S	M	H	HARDNESS
<input type="checkbox"/>	<input type="checkbox"/>	<input type="checkbox"/>	

MOTOR	Express D3.5	TIMING	24
ROTOR	Ripper	ARMATURE	
ESC	TC Spec	BATTERIES	Rev Tech 28C
BODY	LTCR	WING	LTCR

●  - APPLIED S-SOFT M-MEDIUM H-HARD



COMMENTS  
2mm uptravel front and rear