

SET-UP SHEET

XRAY T4

RACE	French Cup		
TRACK	Besancon		
NAME	mathias.rascol		
CITY / COUNTRY	Nantes	France	
CONTACT	mathias.rascol@gmail.com		

DATE	25/08/2013	TEMPERATURE / °F or °C	AIR	TRACK
------	------------	------------------------	-----	-------

QUALIFYING POSITION	BEST LAP TIME /sec	FINAL POSITION	RACE LENGTH /minutes
11	17.2	15	

TRACK CONDITION	<input type="checkbox"/> CARPET	<input checked="" type="checkbox"/> ASPHALT	
<input type="checkbox"/> TECHNICAL	<input checked="" type="checkbox"/> MIXED	<input type="checkbox"/> FAST	
TRACTION	<input type="checkbox"/> LOW	<input checked="" type="checkbox"/> MEDIUM	<input type="checkbox"/> HIGH

FRONT	REAR
TRANSMISSION	

SOLID AXLE	<input checked="" type="checkbox"/> YES	BALL DIFFERENTIAL	<input type="checkbox"/> YES
SOLID ONE WAY DIFF.	<input type="checkbox"/> YES		
ONE WAY DIFFERENTIAL	<input type="checkbox"/> YES		

GEAR DIFFERENTIAL	<input type="checkbox"/> YES	GEAR DIFFERENTIAL	<input checked="" type="checkbox"/> YES
OIL		OIL	2000 /cst

PINION / T	27	SPUR GEAR / T	114
FINAL DRIVE RATIO	4.22222222222222	ROLLOUT	NaN

FRONT	REAR
RR Red	RR Red

350	OIL / CST	350
	LENGTH /mm	
	PRELOAD /mm	
10%	REBOUND %	10%

<input type="checkbox"/> YES	<input checked="" type="checkbox"/> NO	FOAM INSERTS	<input type="checkbox"/> YES	<input checked="" type="checkbox"/> NO
<input type="checkbox"/> YES	<input checked="" type="checkbox"/> NO	O-RING ON SHAFT	<input type="checkbox"/> YES	<input checked="" type="checkbox"/> NO

<input type="checkbox"/> 3 HOLES	<input checked="" type="checkbox"/> 4 HOLES	PISTONS	1.0mm	<input type="checkbox"/> 3 HOLES	<input type="checkbox"/> 4 HOLES
			1.1mm	<input checked="" type="checkbox"/>	<input checked="" type="checkbox"/>
			1.2mm	<input type="checkbox"/>	<input checked="" type="checkbox"/>
		OTHERS			

1.4	THICKNESS/mm	ANTI-ROLL BAR	THICKNESS/mm	1.2
-----	--------------	---------------	--------------	-----

Ride 36	TIRES	Ride 36
	INSERTS	
MR33	ADDITIVE	MR33
20	ADDITIVE TIMING	20



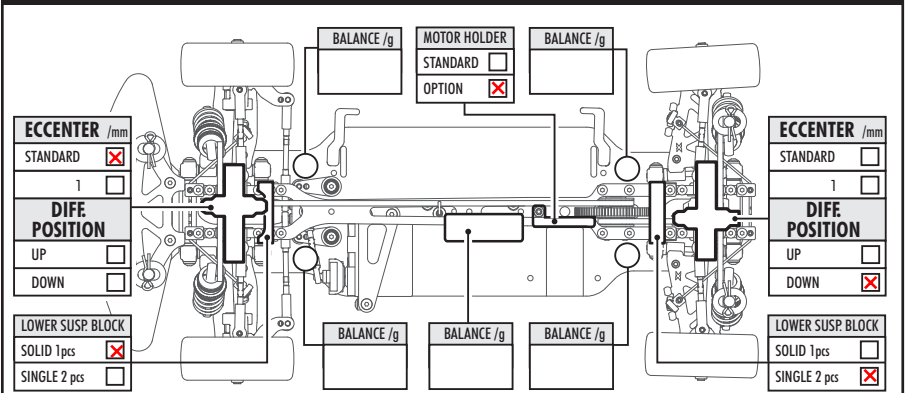
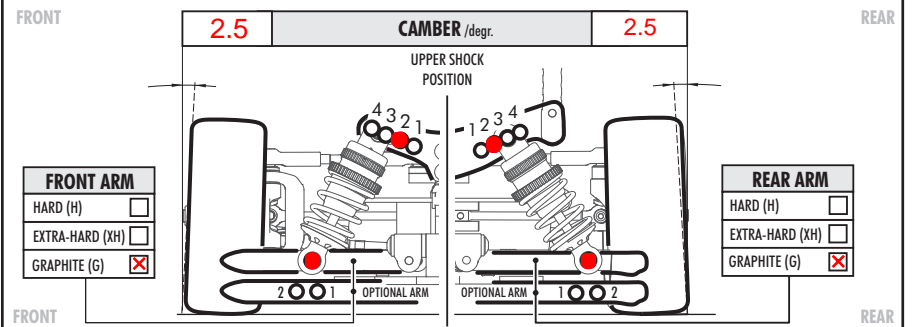
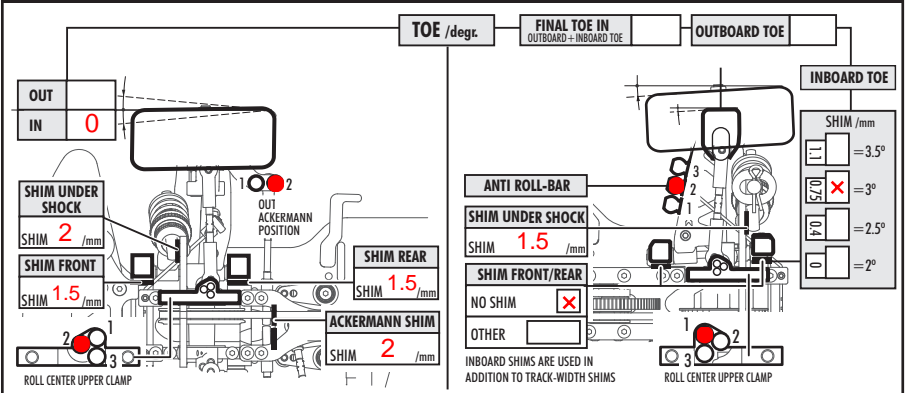
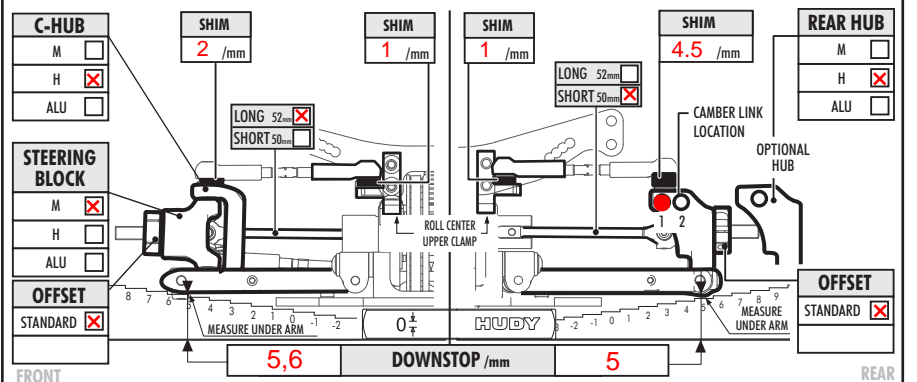
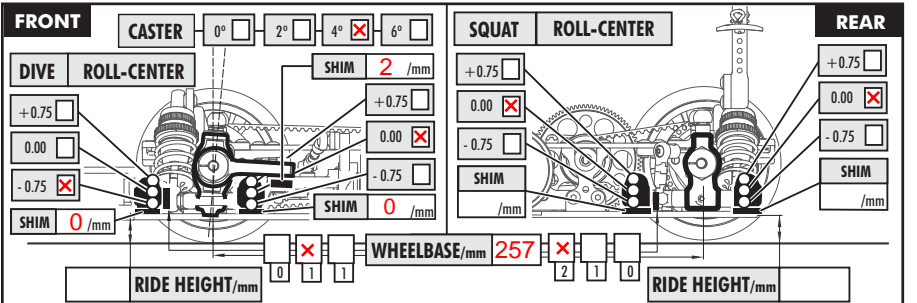
WHEELS	
S <input type="checkbox"/>	M <input type="checkbox"/> H <input type="checkbox"/>
HARDNESS	S <input type="checkbox"/> M <input type="checkbox"/> H <input type="checkbox"/>

MOTOR	Nosram P2 4.5	TIMING	
ROTOR		ARMATURE	

ESC	Nosram COMET	BATTERIES	NOSRAM 7000
-----	--------------	-----------	-------------

BODY	Speed6	WING	MR33
------	--------	------	------

● - APPLIED S-SOFT M-MEDIUM H-HARD



COMMENTS