

# SET-UP SHEET

# XRAY T4

RACE	Slovakia Cup		
TRACK	Hudy Racing Arena		
NAME	Martin Hudy		
CITY / COUNTRY	Trencin	Slovakia	
CONTACT			

DATE	19/02/2013	TEMPERATURE / °F or °C	AIR	TRACK
QUALIFYING POSITION	1st	BEST LAPTIME /sec	FINAL POSITION	1st
RACE LENGTH /minutes				

TRACK CONDITION	<input checked="" type="checkbox"/> CARPET	<input type="checkbox"/> ASPHALT
<input type="checkbox"/> TECHNICAL	<input checked="" type="checkbox"/> MIXED	<input type="checkbox"/> FAST
TRACTION	<input type="checkbox"/> LOW	<input checked="" type="checkbox"/> MEDIUM
	<input type="checkbox"/> HIGH	

FRONT	REAR
TRANSMISSION	

SOLID AXLE	<input checked="" type="checkbox"/> YES	BALL DIFFERENTIAL	<input type="checkbox"/> YES
SOLID ONE WAY DIFF.	<input type="checkbox"/> YES		
ONE WAY DIFFERENTIAL	<input type="checkbox"/> YES		
GEAR DIFFERENTIAL	<input type="checkbox"/> YES	GEAR DIFFERENTIAL	<input checked="" type="checkbox"/> YES
OIL		OIL	1000 /cst

PINION / T	25	SPUR GEAR / T	110
FINAL DRIVE RATIO	4.4	ROLLOUT	NaN

FRONT	REAR	
2.5	XRAY SPRINGS	2.5
300	OIL / CST	400
	LENGTH /mm	
	PRELOAD /mm	
0	REBOUND %	0

<input type="checkbox"/> YES	<input checked="" type="checkbox"/> NO	FOAM INSERTS	<input type="checkbox"/> YES	<input checked="" type="checkbox"/> NO
<input type="checkbox"/> YES	<input checked="" type="checkbox"/> NO	O-RING ON SHAFT	<input type="checkbox"/> YES	<input checked="" type="checkbox"/> NO

<input type="checkbox"/> 3 HOLES	<input checked="" type="checkbox"/> 4 HOLES	PISTONS	<input type="checkbox"/> 3 HOLES	<input checked="" type="checkbox"/> 4 HOLES
		1.0mm		
		1.1mm		
		1.2mm		
		OTHERS		

1.4	THICKNESS/mm	ANTI-ROLL BAR	THICKNESS/mm	1.3
-----	--------------	---------------	--------------	-----

LRP	TIRES	LRP
	INSERTS	
LRP	ADDITIVE	LRP
20min	ADDITIVE TIMING	20min

FRONT LEFT	FRONT RIGHT	REAR LEFT	REAR RIGHT
TREATED AREA			

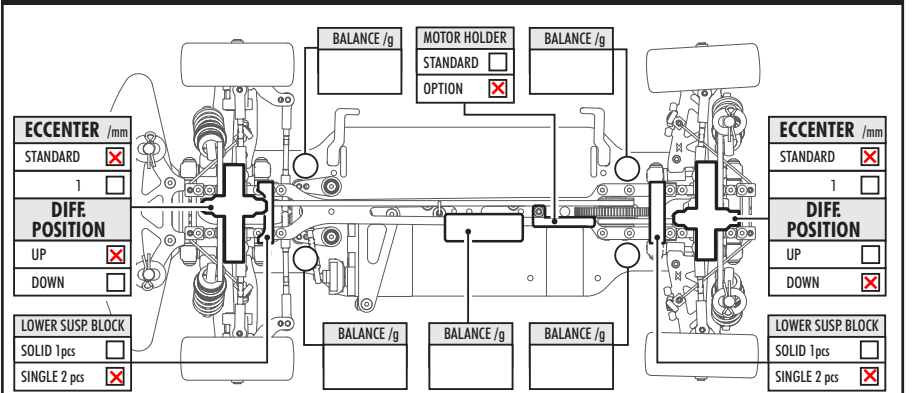
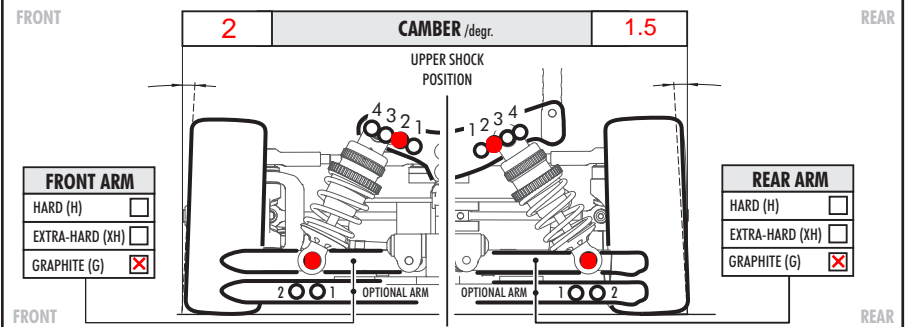
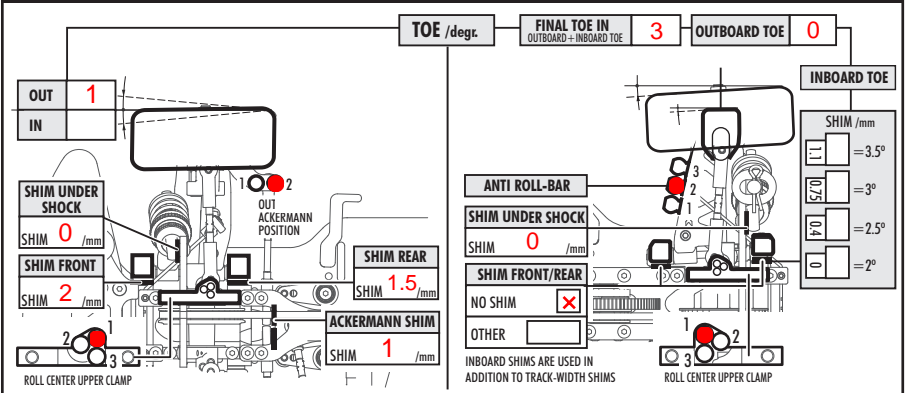
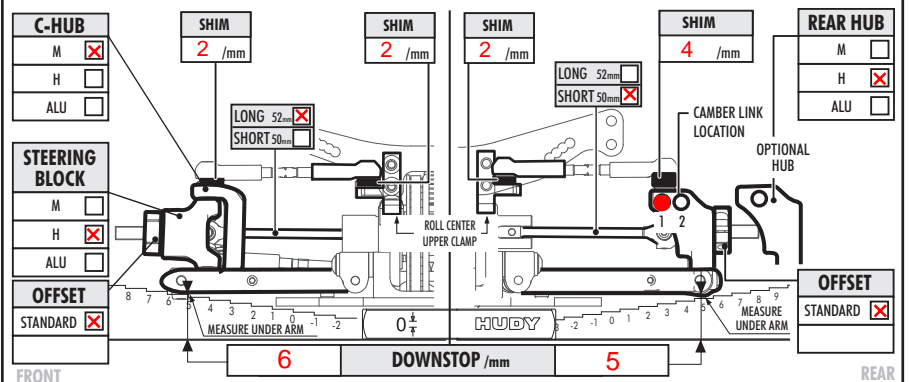
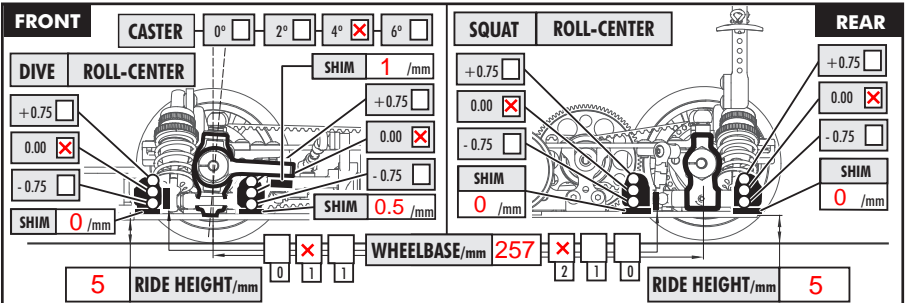
WHEELS			
S	M	H	HARDNESS
<input type="checkbox"/>	<input type="checkbox"/>	<input type="checkbox"/>	S
<input type="checkbox"/>	<input type="checkbox"/>	<input type="checkbox"/>	M
<input type="checkbox"/>	<input type="checkbox"/>	<input type="checkbox"/>	H

MOTOR	TIMING
ROTOR	ARMATURE

ESC	BATTERIES
-----	-----------

BODY	Speed 6	WING	MR33
------	---------	------	------

●  - APPLIED S-SOFT M-MEDIUM H-HARD



COMMENTS

1.6 top deck

without front screws on layshaft bulkhead