

SET-UP SHEET

XRAY T4

RACE	Swiss Nationals'13 Rnd 4		
TRACK	Dintikon		
NAME	Mario Rigert		
CITY / COUNTRY	Dintikon	Switzerland	
CONTACT			

DATE	29/08/2013	TEMPERATURE / °F or °C	AIR	TRACK
------	------------	------------------------	-----	-------

QUALIFYING POSITION	BEST LAPTIME /sec	FINAL POSITION	RACE LENGTH /minutes
3		1	5

TRACK CONDITION	<input type="checkbox"/> CARPET	<input checked="" type="checkbox"/> ASPHALT	
	<input checked="" type="checkbox"/> TECHNICAL	<input type="checkbox"/> FAST	
TRACTION	<input type="checkbox"/> LOW	<input checked="" type="checkbox"/> MEDIUM	<input type="checkbox"/> HIGH

FRONT	REAR
TRANSMISSION	

SOLID AXLE	<input checked="" type="checkbox"/> YES	BALL DIFFERENTIAL	<input type="checkbox"/> YES
SOLID ONE WAY DIFF.	<input type="checkbox"/> YES		
ONE WAY DIFFERENTIAL	<input type="checkbox"/> YES		

GEAR DIFFERENTIAL	<input type="checkbox"/> YES	GEAR DIFFERENTIAL	<input checked="" type="checkbox"/> YES
OIL		OIL	1000 /cst

PINION / T	19	SPUR GEAR / T	84
FINAL DRIVE RATIO	4.4210526315789	ROLLOUT	NaN

FRONT	REAR	
2.5-2.8	XRAY SPRINGS	2.7

350	OIL / CST	350
	LENGTH /mm	
0	PRELOAD /mm	0
0	REBOUND %	0

<input type="checkbox"/> YES	<input checked="" type="checkbox"/> NO	FOAM INSERTS	<input type="checkbox"/> YES	<input checked="" type="checkbox"/> NO
<input type="checkbox"/> YES	<input checked="" type="checkbox"/> NO	O-RING ON SHAFT	<input type="checkbox"/> YES	<input checked="" type="checkbox"/> NO

<input type="checkbox"/> 3 HOLES	<input checked="" type="checkbox"/> 4 HOLES	PISTONS	<input type="checkbox"/> 3 HOLES	<input checked="" type="checkbox"/> 4 HOLES
		1.0mm		
		1.1mm		
		1.2mm		
		OTHERS		

1.4	THICKNESS/mm	ANTI-ROLL BAR	THICKNESS/mm	1.2
-----	--------------	---------------	--------------	-----

Ride Rex34	TIRES	Ride Rex34
	INSERTS	
TC5	ADDITIVE	TC5
	ADDITIVE TIMING	



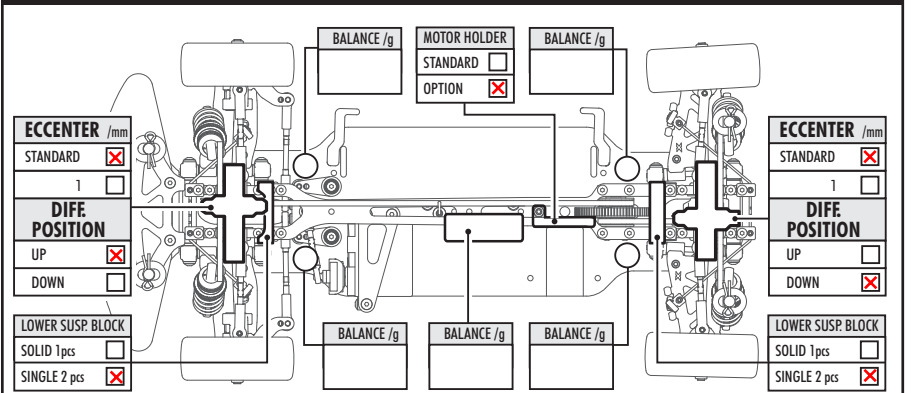
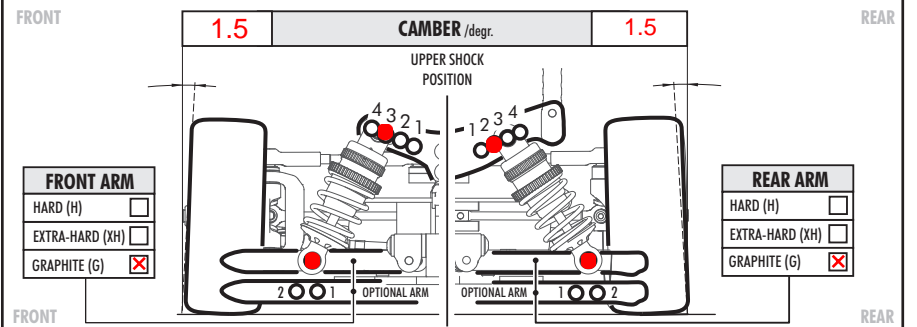
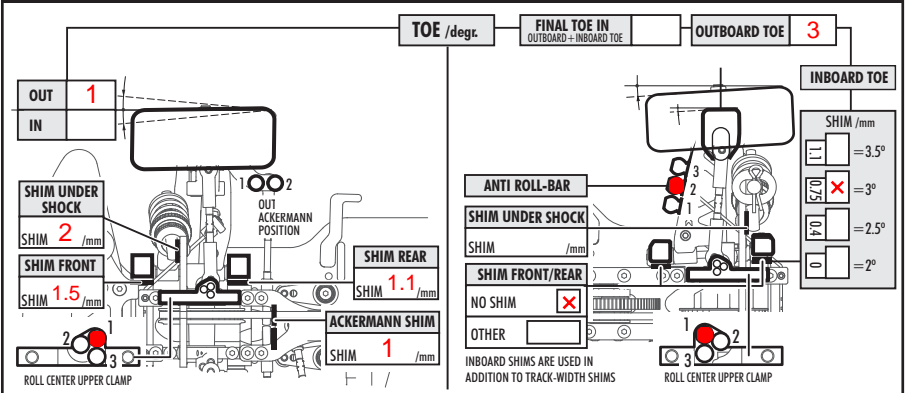
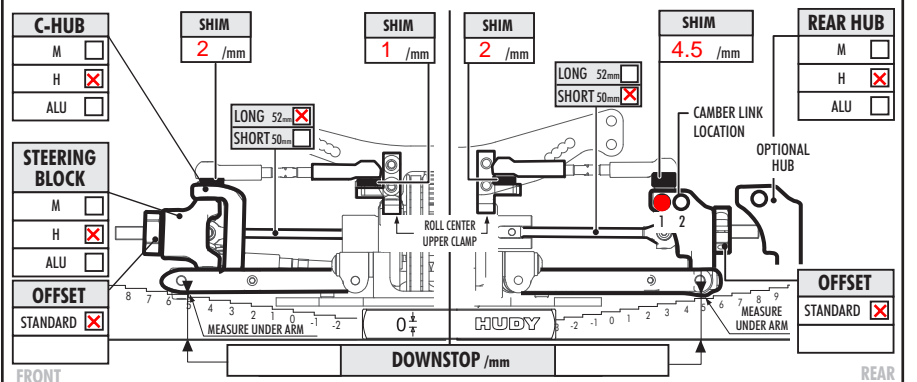
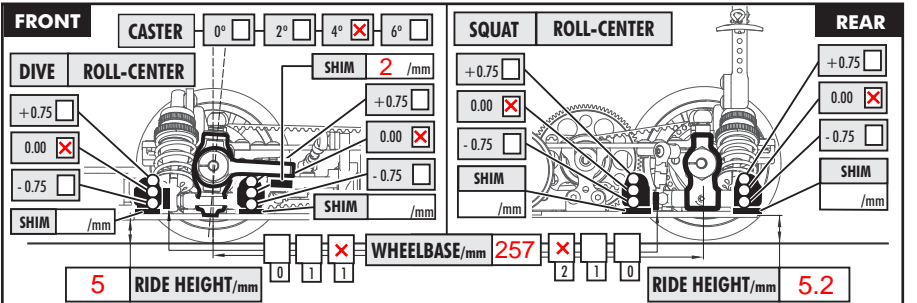
WHEELS	
S <input type="checkbox"/>	M <input type="checkbox"/> H <input type="checkbox"/>
HARDNESS	S <input type="checkbox"/> M <input type="checkbox"/> H <input type="checkbox"/>

MOTOR	Nosram 5.0t	TIMING	
ROTOR		ARMATURE	

ESC	Orca	BATTERIES	Nosram
-----	------	-----------	--------

BODY	LTC-R	WING	MR33
------	-------	------	------

● - APPLIED S-SOFT M-MEDIUM H-HARD



COMMENTS
Drop front 2.5mm uptravel / rear 3.5mm