

# SET-UP SHEET

# XRAY T4

RACE	ETS 6 Final		
TRACK	HUDY Racing Arena		
NAME	Magnus Vassmar		
CITY / COUNTRY	Trencin	Slovakia	
CONTACT			

DATE	25/07/2013	TEMPERATURE / °F or °C	AIR	26	TRACK
------	------------	------------------------	-----	----	-------

QUALIFYING POSITION	BEST LAPTIME /sec	FINAL POSITION	RACE LENGTH /minutes
9	18.3	10	5

TRACK CONDITION	<input type="checkbox"/> CARPET	<input checked="" type="checkbox"/> ASPHALT	
<input type="checkbox"/> TECHNICAL	<input checked="" type="checkbox"/> MIXED	<input type="checkbox"/> FAST	
TRACTION	<input type="checkbox"/> LOW	<input checked="" type="checkbox"/> MEDIUM	<input type="checkbox"/> HIGH

FRONT	REAR
TRANSMISSION	

SOLID AXLE	<input type="checkbox"/> YES	BALL DIFFERENTIAL	<input type="checkbox"/> YES
SOLID ONE WAY DIFF.	<input type="checkbox"/> YES		
ONE WAY DIFFERENTIAL	<input type="checkbox"/> YES		

GEAR DIFFERENTIAL	<input type="checkbox"/> YES	GEAR DIFFERENTIAL	<input checked="" type="checkbox"/> YES
OIL	Putty	OIL	5000 /cst

PINION / T	26	SPUR GEAR / T	112
FINAL DRIVE RATIO	4.3076923076923	ROLLOUT	NaN

FRONT	REAR	
2.5-2.8	XRAY SPRINGS	2.5-2.8

450	OIL / CST	500
	LENGTH /mm	
	PRELOAD /mm	
10%	REBOUND %	10%

<input type="checkbox"/> YES	<input checked="" type="checkbox"/> NO	FOAM INSERTS	<input type="checkbox"/> YES	<input checked="" type="checkbox"/> NO
<input type="checkbox"/> YES	<input checked="" type="checkbox"/> NO	O-RING ON SHAFT	<input type="checkbox"/> YES	<input checked="" type="checkbox"/> NO

<input type="checkbox"/> 3 HOLES	<input checked="" type="checkbox"/> 4 HOLES	PISTONS	1.0mm	<input type="checkbox"/> 3 HOLES	<input checked="" type="checkbox"/> 4 HOLES
			1.1mm		
			1.2mm		
		OTHERS			

1.4	THICKNESS/mm	ANTI-ROLL BAR	THICKNESS/mm	1.3
-----	--------------	---------------	--------------	-----

ETS RIDE 34	TIRES
	INSERTS
	ADDITIVE
	ADDITIVE TIMING

FRONT LEFT	FRONT RIGHT	REAR LEFT	REAR RIGHT
TREATED AREA			

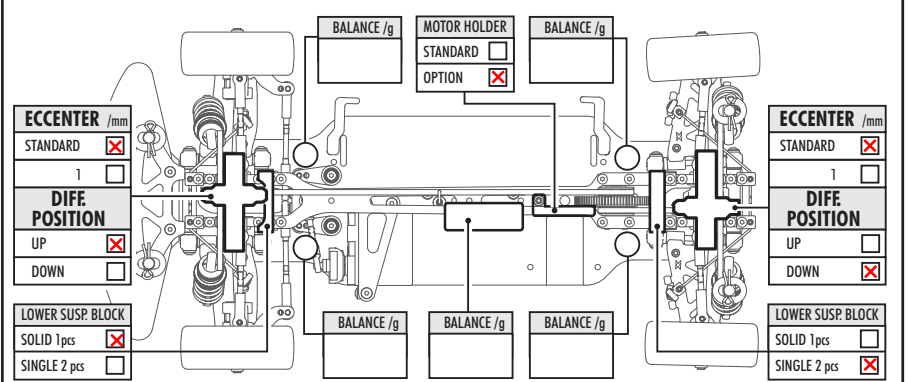
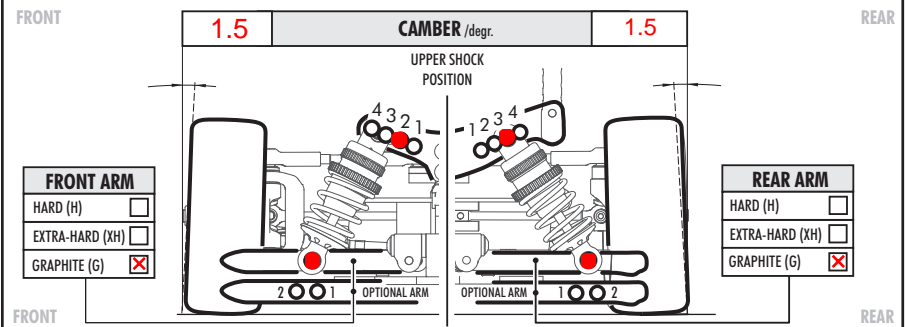
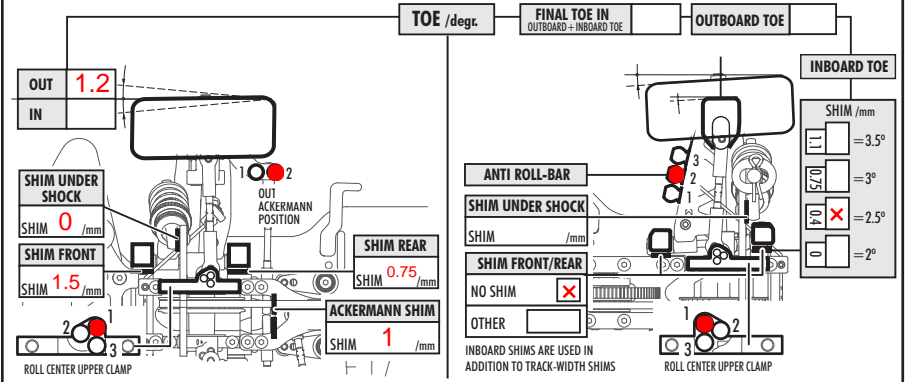
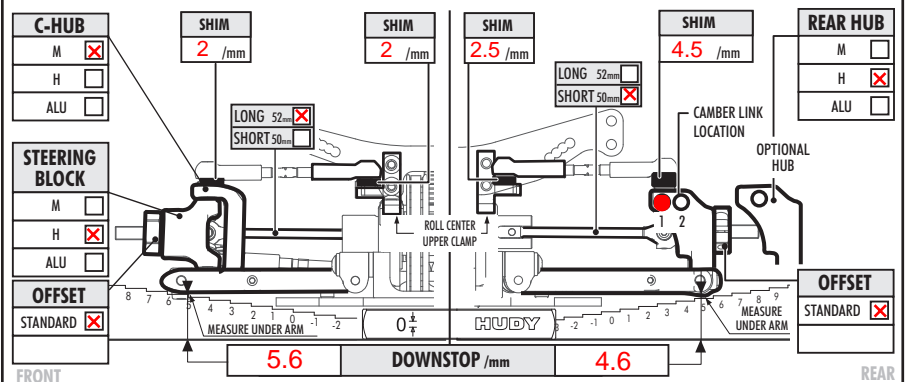
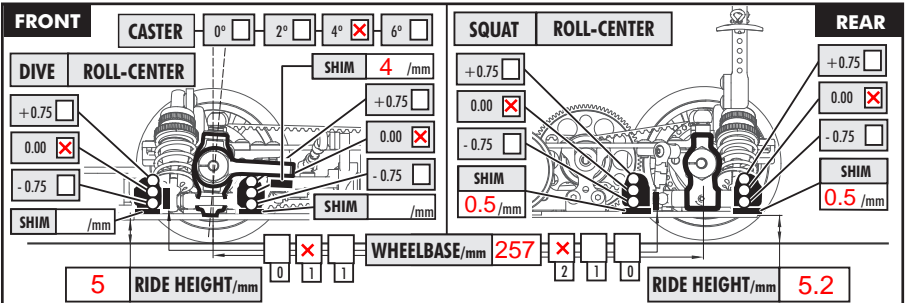
WHEELS						
S	M	H	HARDNESS			
<input type="checkbox"/>	<input type="checkbox"/>	<input type="checkbox"/>	S	M	H	<input type="checkbox"/>

MOTOR	Thunder Power	TIMING	
ROTOR		ARMATURE	

ESC	Much More FLETA	BATTERIES	Thunder Power
-----	-----------------	-----------	---------------

BODY	PF LTC	WING	MR
------	--------	------	----

●  - APPLIED    S-SOFT    M-MEDIUM    H-HARD



COMMENTS  
**ECS 52mm front**  
**HUDY Alu servohorn**