

SET-UP SHEET

XRAY T4

RACE	EWS		
TRACK	Essex		
NAME	Jimmy Maddison		
CITY / COUNTRY	Essex	UK	
CONTACT			

DATE	17/12/2012	TEMPERATURE / °F or °C	AIR	TRACK
------	------------	------------------------	-----	-------

QUALIFYING POSITION	BEST LAPTIME /sec	FINAL POSITION	RACE LENGTH /minutes
1	14.0	1	5

TRACK CONDITION	<input checked="" type="checkbox"/> CARPET	<input type="checkbox"/> ASPHALT
	<input type="checkbox"/> TECHNICAL	<input type="checkbox"/> MIXED
TRACTION	<input type="checkbox"/> LOW	<input checked="" type="checkbox"/> MEDIUM
	<input type="checkbox"/> FAST	<input type="checkbox"/> HIGH

FRONT	REAR
TRANSMISSION	

SOLID AXLE	<input checked="" type="checkbox"/> YES	BALL DIFFERENTIAL	<input type="checkbox"/> YES
SOLID ONE WAY DIFF.	<input type="checkbox"/> YES		
ONE WAY DIFFERENTIAL	<input type="checkbox"/> YES		

GEAR DIFFERENTIAL	<input type="checkbox"/> YES	GEAR DIFFERENTIAL	<input checked="" type="checkbox"/> YES
OIL		OIL	2000 /cst

PINION / T	40	SPUR GEAR / T	106
FINAL DRIVE RATIO	2.65	ROLLOUT	0

FRONT	XRAY SPRINGS	REAR
2.7		2.5
400	OIL / CST	400
	LENGTH /mm	
	PRELOAD /mm	
20	REBOUND %	20

<input type="checkbox"/> YES <input checked="" type="checkbox"/> NO	FOAM INSERTS	<input type="checkbox"/> YES <input checked="" type="checkbox"/> NO
<input type="checkbox"/> YES <input checked="" type="checkbox"/> NO	O-RING ON SHAFT	<input type="checkbox"/> YES <input checked="" type="checkbox"/> NO

<input type="checkbox"/> 3 HOLES	<input checked="" type="checkbox"/> 4 HOLES	PISTONS	<input type="checkbox"/> 3 HOLES	<input checked="" type="checkbox"/> 4 HOLES
		1.0mm		
		1.1mm		
		1.2mm		
		OTHERS		

1.4	THICKNESS/mm	ANTI-ROLL BAR	THICKNESS/mm	1.2
-----	--------------	---------------	--------------	-----

Sorex 32	TIRES	Sorex 32
Jb	INSERTS	Jb
Ame	ADDITIVE	Ame
	ADDITIVE TIMING	

FRONT LEFT	FRONT RIGHT	REAR LEFT	REAR RIGHT
TREATED AREA			

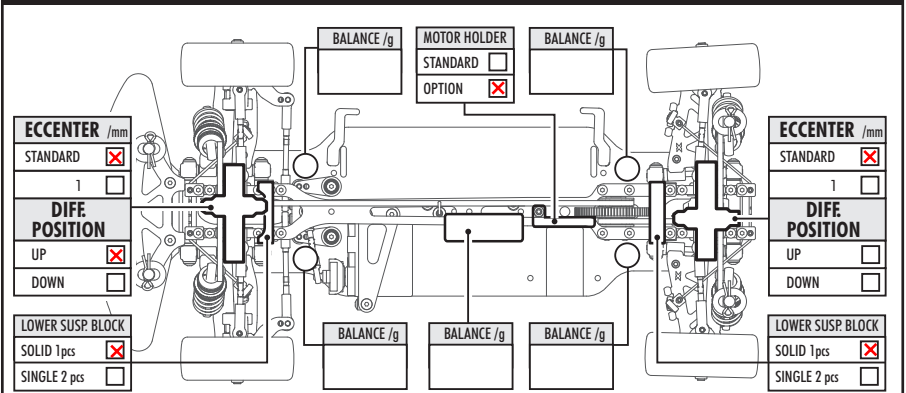
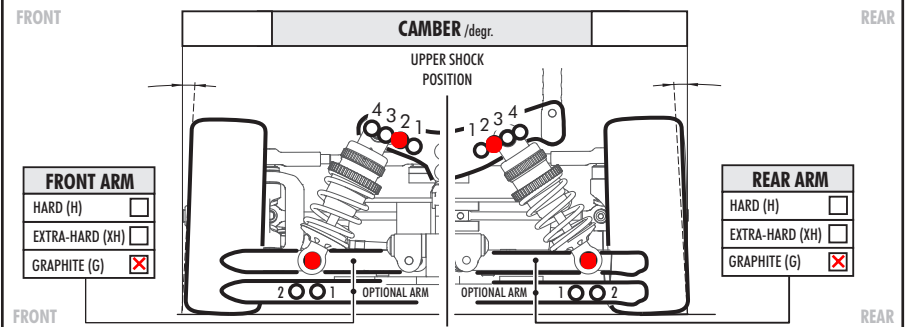
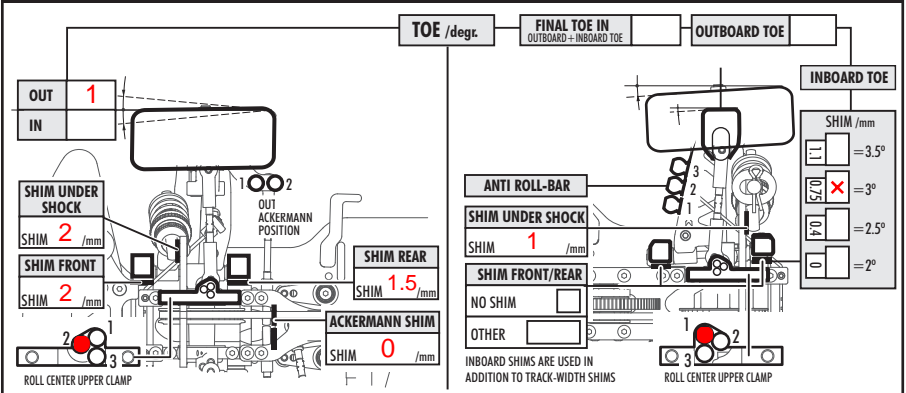
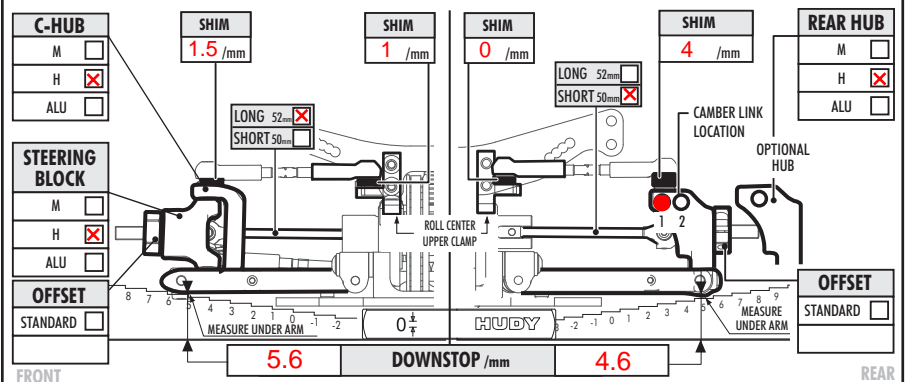
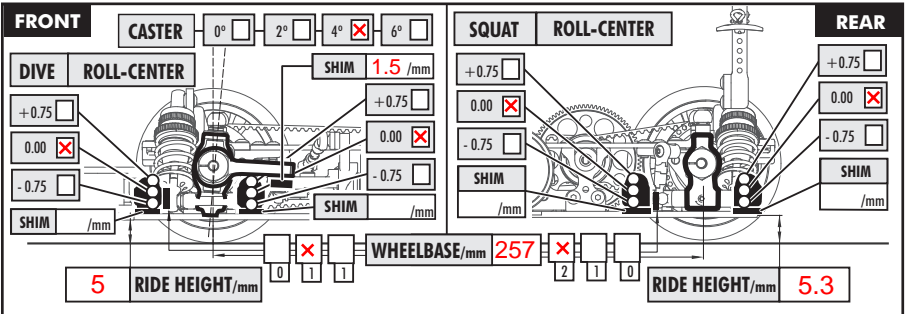
WHEELS	
S <input type="checkbox"/>	M <input type="checkbox"/> H <input type="checkbox"/>
HARDNESS	S <input type="checkbox"/> M <input type="checkbox"/> H <input type="checkbox"/>

MOTOR	Duelsky	TIMING	30
ROTOR	12.5	ARMATURE	

ESC	Duelsky	BATTERIES	Duelsky
-----	---------	-----------	---------

BODY	Speed 6	WING	Std
------	---------	------	-----

● - APPLIED S-SOFT M-MEDIUM H-HARD



COMMENTS

Cutted hub