

SET-UP SHEET

XRAY T4

RACE			
TRACK			
NAME			
CITY / COUNTRY			
CONTACT			

DATE	TEMPERATURE / °F or °C	AIR	TRACK
QUALIFYING POSITION	BEST LAPTIME /sec	FINAL POSITION	RACE LENGTH /minutes

TRACK CONDITION	<input type="checkbox"/> CARPET	<input type="checkbox"/> ASPHALT	
	<input type="checkbox"/> TECHNICAL	<input type="checkbox"/> FAST	
TRACTION	<input type="checkbox"/> LOW	<input type="checkbox"/> MEDIUM	<input type="checkbox"/> HIGH

FRONT	REAR
TRANSMISSION	

SOLID AXLE <input type="checkbox"/> YES	BALL DIFFERENTIAL <input type="checkbox"/> YES
SOLID ONE WAY DIFF. <input type="checkbox"/> YES	
ONE WAY DIFFERENTIAL <input type="checkbox"/> YES	

GEAR DIFFERENTIAL <input type="checkbox"/> YES	GEAR DIFFERENTIAL <input type="checkbox"/> YES
OIL	OIL /cst

PINION / T	SPUR GEAR / T
FINAL DRIVE RATIO	ROLLOUT

FRONT	REAR
-------	------

	XRAY SPRINGS
	OIL / CST
	LENGTH /mm
	PRELOAD /mm
	REBOUND %

<input type="checkbox"/> YES <input type="checkbox"/> NO	FOAM INSERTS	<input type="checkbox"/> YES <input type="checkbox"/> NO
<input type="checkbox"/> YES <input type="checkbox"/> NO	O-RING ON SHAFT	<input type="checkbox"/> YES <input type="checkbox"/> NO

<input type="checkbox"/> 3 HOLES	PISTONS	<input type="checkbox"/> 3 HOLES
<input type="checkbox"/> 4 HOLES	1.0mm	<input type="checkbox"/> 4 HOLES
	1.1mm	
	1.2mm	
	OTHERS	

THICKNESS/mm	ANTI-ROLL BAR	THICKNESS/mm
--------------	---------------	--------------

TIRES	
	INSERTS
	ADDITIVE
	ADDITIVE TIMING

FRONT LEFT	FRONT RIGHT	REAR LEFT	REAR RIGHT
TREATED AREA			

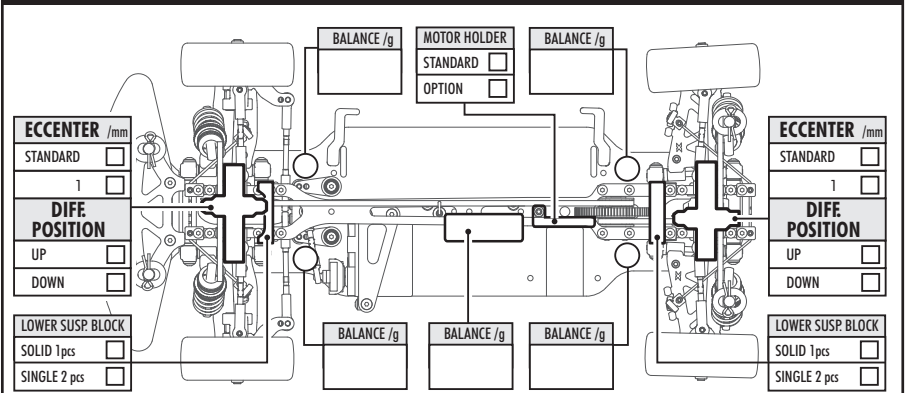
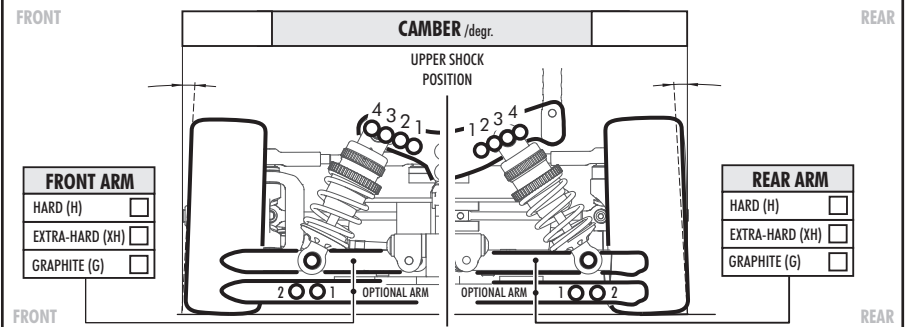
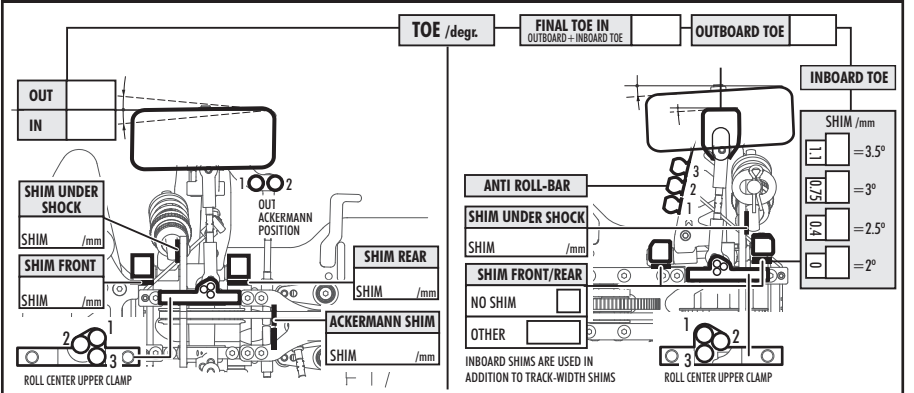
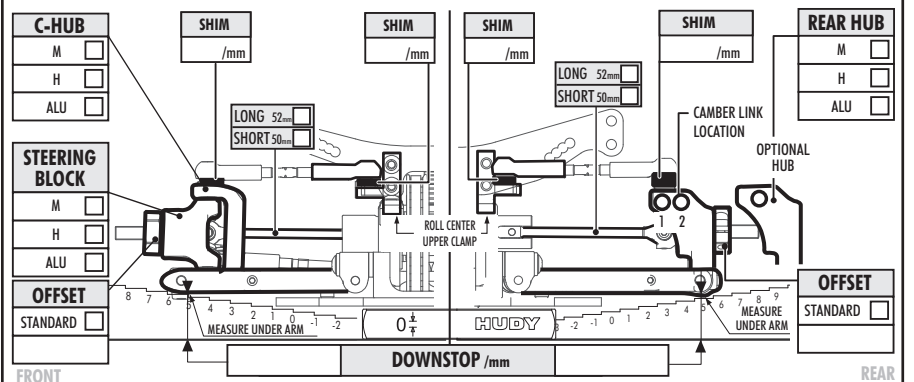
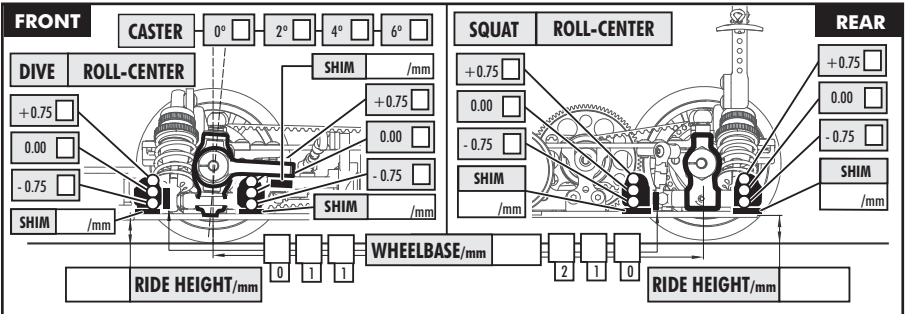
WHEELS	
S <input type="checkbox"/> M <input type="checkbox"/> H <input type="checkbox"/>	HARDNESS
S <input type="checkbox"/> M <input type="checkbox"/> H <input type="checkbox"/>	

MOTOR	TIMING
ROTOR	ARMATURE

ESC	BATTERIES
-----	-----------

BODY	WING
------	------

● - APPLIED S-SOFT M-MEDIUM H-HARD



COMMENTS