

# SET-UP SHEET

# XRAY T4

RACE	2013 Ride Nsw State Titles		
TRACK	IMCC		
NAME	Antoni Caretti		
CITY / COUNTRY	Sydney	Australia	
CONTACT			

DATE	13/10/2013	TEMPERATURE / °F or °C	AIR 34	TRACK 50
------	------------	------------------------	--------	----------

QUALIFYING POSITION	BEST LAPTIME /sec	FINAL POSITION	RACE LENGTH /minutes
3	12.344	2	5

TRACK CONDITION	<input type="checkbox"/> CARPET	<input checked="" type="checkbox"/> ASPHALT	
<input type="checkbox"/> TECHNICAL	<input checked="" type="checkbox"/> MIXED	<input type="checkbox"/> FAST	
TRACTION	<input type="checkbox"/> LOW	<input checked="" type="checkbox"/> MEDIUM	<input type="checkbox"/> HIGH

FRONT	REAR
TRANSMISSION	

SOLID AXLE	<input type="checkbox"/> YES	BALL DIFFERENTIAL	<input type="checkbox"/> YES
SOLID ONE WAY DIFF.	<input type="checkbox"/> YES		
ONE WAY DIFFERENTIAL	<input type="checkbox"/> YES		

GEAR DIFFERENTIAL	<input type="checkbox"/> YES	GEAR DIFFERENTIAL	<input checked="" type="checkbox"/> YES
OIL	Putty	OIL	4000 /cst

PINION / T	25	SPUR GEAR / T	110
FINAL DRIVE RATIO	4.4	ROLLOUT	0

FRONT	XRAY SPRINGS	REAR
2.7		2.7

350	OIL / CST	350
9.8mm	LENGTH /mm	9.8mm
0	PRELOAD /mm	0
0	REBOUND %	0

<input checked="" type="checkbox"/> YES	<input type="checkbox"/> NO	FOAM INSERTS	<input checked="" type="checkbox"/> YES	<input type="checkbox"/> NO
<input type="checkbox"/> YES	<input checked="" type="checkbox"/> NO	O-RING ON SHAFT	<input type="checkbox"/> YES	<input checked="" type="checkbox"/> NO

<input type="checkbox"/> 3 HOLES	PISTONS	<input type="checkbox"/> 3 HOLES
<input checked="" type="checkbox"/> 4 HOLES	1.0mm	<input type="checkbox"/> 4 HOLES
	1.1mm	
	1.2mm	
	OTHERS	

1.4	THICKNESS/mm	ANTI-ROLL BAR	THICKNESS/mm	1.2
-----	--------------	---------------	--------------	-----

RIDE re36	TIRES	RIDE re36
Blue	INSERTS	Blue
MR33	ADDITIVE	MR33
	ADDITIVE TIMING	



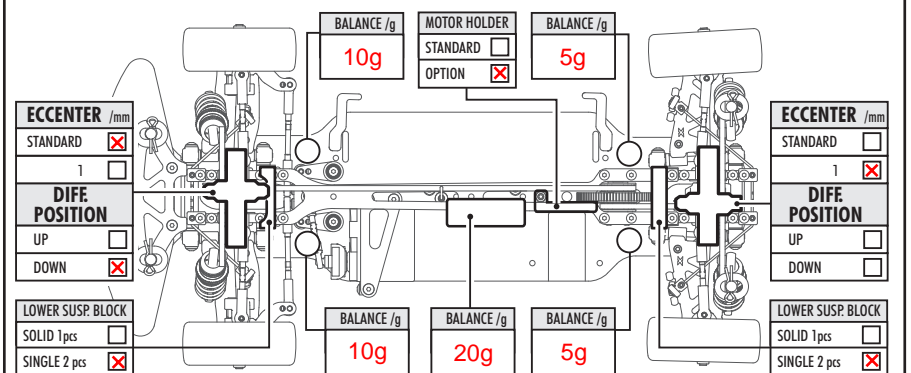
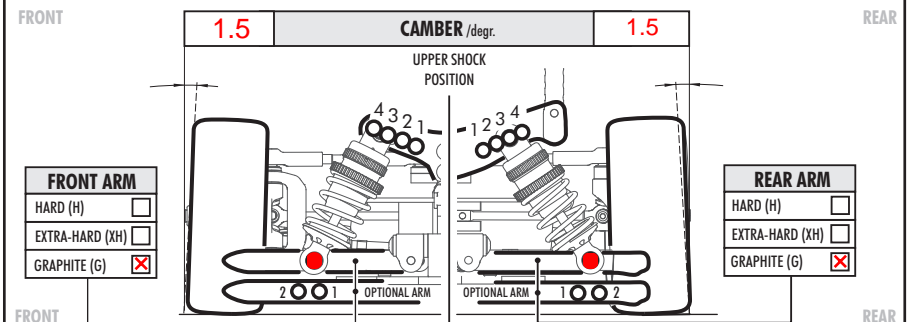
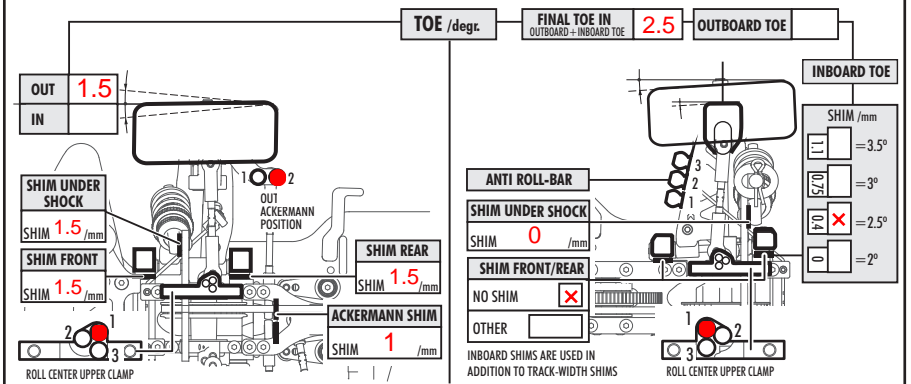
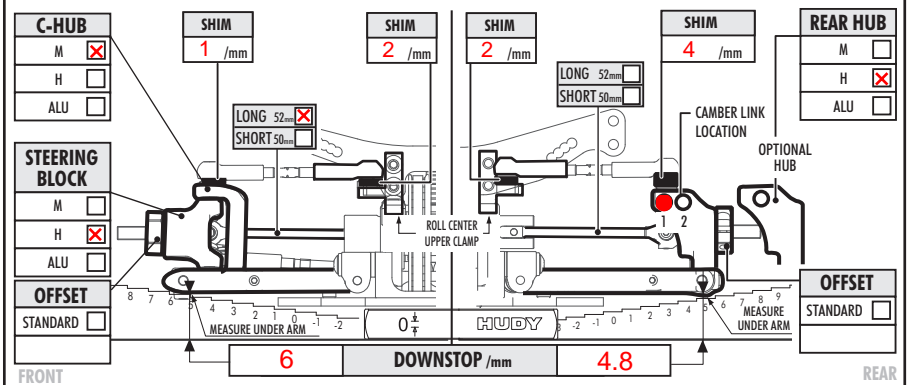
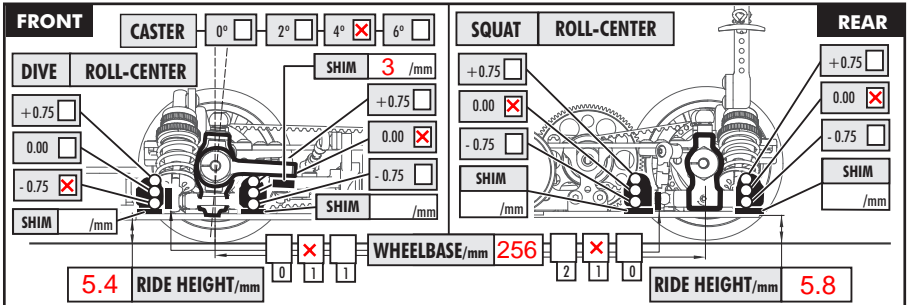
WHEELS	
S <input type="checkbox"/>	M <input type="checkbox"/> H <input type="checkbox"/>
HARDNESS	S <input type="checkbox"/> M <input type="checkbox"/> H <input type="checkbox"/>

MOTOR	Muchmore	TIMING	20
ROTOR	Red	ARMATURE	4.5t

ESC	Hobbywing	BATTERIES	Pro Amp
-----	-----------	-----------	---------

BODY	LTC-R LW	WING	Roche
------	----------	------	-------

●  - APPLIED S-SOFT M-MEDIUM H-HARD



## COMMENTS

Smokem Top deck and layshaft mounts