

# SET-UP SHEET

# XRAY T4

RACE	2013 NZ National Champs		
TRACK	Ruapuna		
NAME	Andrew Webber		
CITY / COUNTRY	Hamilton	New Zealand	
CONTACT			

DATE	18/02/2013	TEMPERATURE / °F or °C	AIR	20	TRACK	30
------	------------	------------------------	-----	----	-------	----

QUALIFYING POSITION	BEST LAP TIME /sec	FINAL POSITION	RACE LENGTH /minutes
2	20.7	2	5

TRACK CONDITION	<input type="checkbox"/> CARPET	<input checked="" type="checkbox"/> ASPHALT	
<input type="checkbox"/> TECHNICAL	<input type="checkbox"/> MIXED	<input checked="" type="checkbox"/> FAST	
TRACTION	<input type="checkbox"/> LOW	<input checked="" type="checkbox"/> MEDIUM	<input type="checkbox"/> HIGH

FRONT	REAR
TRANSMISSION	

SOLID AXLE	<input type="checkbox"/> YES	BALL DIFFERENTIAL	<input type="checkbox"/> YES
SOLID ONE WAY DIFF.	<input type="checkbox"/> YES		
ONE WAY DIFFERENTIAL	<input type="checkbox"/> YES		

GEAR DIFFERENTIAL	<input checked="" type="checkbox"/> YES	GEAR DIFFERENTIAL	<input type="checkbox"/> YES
OIL	2,500,000	OIL	2000 /cst

PINION / T	26	SPUR GEAR / T	112
FINAL DRIVE RATIO	4.3076923076923	ROLLOUT	NaN

FRONT	REAR	
2.7	XRAY SPRINGS	2.7
350	OIL / CST	350
	LENGTH /mm	
	PRELOAD /mm	
0	REBOUND %	0

<input type="checkbox"/> YES	<input checked="" type="checkbox"/> NO	FOAM INSERTS	<input type="checkbox"/> YES	<input checked="" type="checkbox"/> NO
<input type="checkbox"/> YES	<input checked="" type="checkbox"/> NO	O-RING ON SHAFT	<input type="checkbox"/> YES	<input checked="" type="checkbox"/> NO

<input type="checkbox"/> 3 HOLES	<input checked="" type="checkbox"/> 4 HOLES	PISTONS	1.0mm	<input type="checkbox"/> 3 HOLES	<input checked="" type="checkbox"/> 4 HOLES
			1.1mm		
			1.2mm		
		OTHERS			

1.4	THICKNESS/mm	ANTI-ROLL BAR	THICKNESS/mm	1.2
-----	--------------	---------------	--------------	-----

Sweep EXP36	TIRES	Sweep EXP36
	INSERTS	
	ADDITIVE	
	ADDITIVE TIMING	

FRONT LEFT	FRONT RIGHT	REAR LEFT	REAR RIGHT
TREATED AREA			

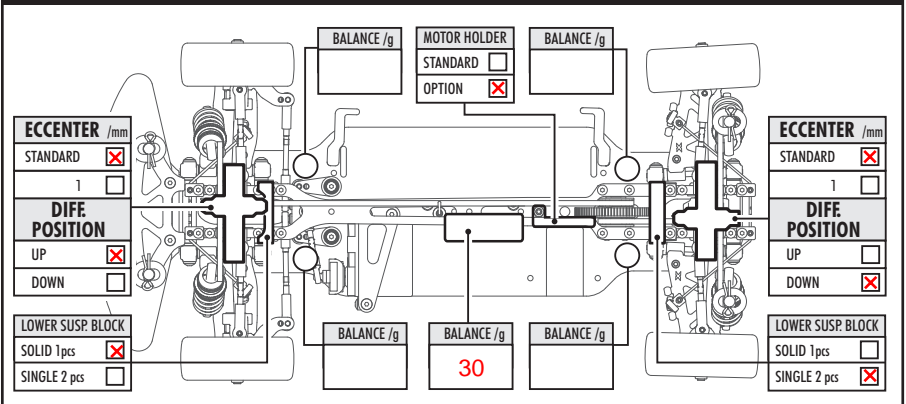
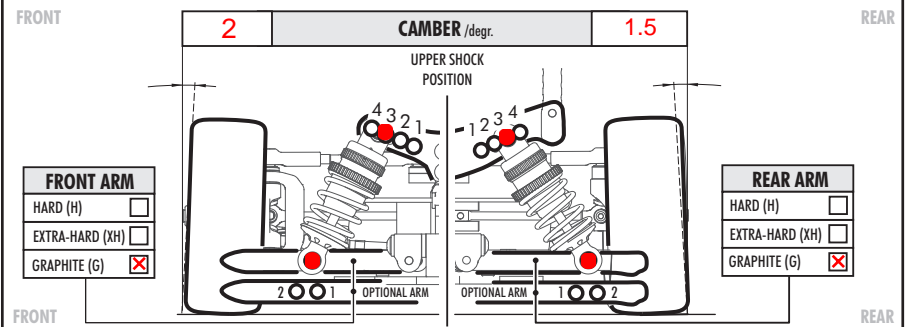
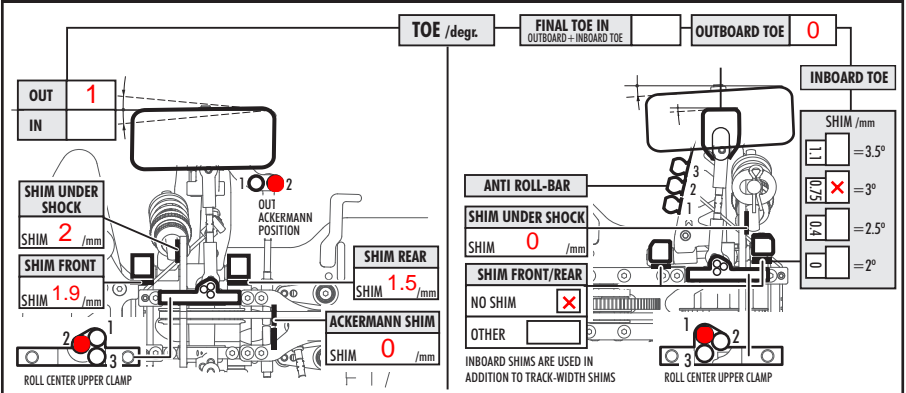
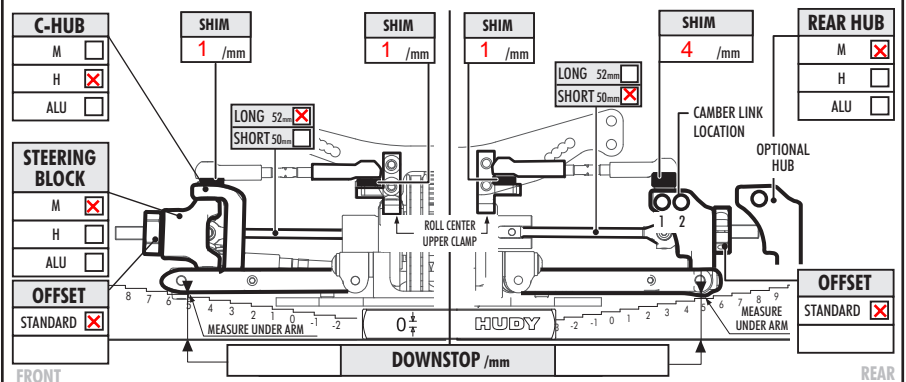
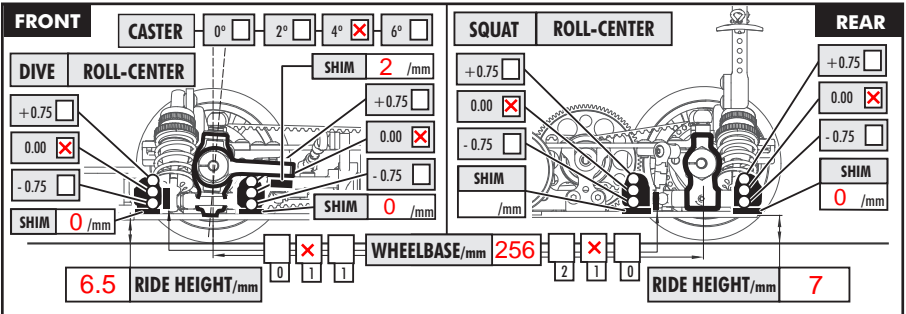
WHEELS						
S	M	H	HARDNESS			
<input type="checkbox"/>	<input type="checkbox"/>	<input type="checkbox"/>	S	M	H	<input type="checkbox"/>

MOTOR	SP 4.5	TIMING	
ROTOR		ARMATURE	

ESC	HW V3.1	BATTERIES	
-----	---------	-----------	--

BODY	LTC-R LW	WING	Kit
------	----------	------	-----

●  - APPLIED S-SOFT M-MEDIUM H-HARD



COMMENTS

Track Extremely Bumpy and high speed.