

# SET-UP SHEET

# XRAY T4

RACE	2013 International - Super Stock		
TRACK	Albany NZ		
NAME	Andrew Webber		
CITY / COUNTRY	Auckland	New Zealand	
CONTACT			

DATE	13/01/2013	TEMPERATURE / °F or °C	AIR	30	TRACK	50
QUALIFYING POSITION	1	BEST LAPTIME /sec	FINAL POSITION	1	RACE LENGTH /minutes	5

TRACK CONDITION	<input type="checkbox"/> CARPET	<input checked="" type="checkbox"/> ASPHALT
	<input type="checkbox"/> TECHNICAL	<input checked="" type="checkbox"/> MIXED
TRACTION	<input type="checkbox"/> LOW	<input checked="" type="checkbox"/> MEDIUM
		<input type="checkbox"/> FAST
		<input type="checkbox"/> HIGH

FRONT	REAR
TRANSMISSION	

SOLID AXLE	<input checked="" type="checkbox"/> YES	BALL DIFFERENTIAL	<input type="checkbox"/> YES
SOLID ONE WAY DIFF.	<input type="checkbox"/> YES		
ONE WAY DIFFERENTIAL	<input type="checkbox"/> YES		
GEAR DIFFERENTIAL	<input type="checkbox"/> YES	GEAR DIFFERENTIAL	<input checked="" type="checkbox"/> YES
OIL		OIL	1000 /cst

PINION / T	27	SPUR GEAR / T	108
FINAL DRIVE RATIO	4	ROLLOUT	NaN

FRONT	REAR	
2.5	XRAY SPRINGS	2.7
350	OIL / CST	350
	LENGTH /mm	
	PRELOAD /mm	
0	REBOUND %	0

<input type="checkbox"/> YES	<input checked="" type="checkbox"/> NO	FOAM INSERTS	<input type="checkbox"/> YES	<input checked="" type="checkbox"/> NO
<input type="checkbox"/> YES	<input checked="" type="checkbox"/> NO	O-RING ON SHAFT	<input type="checkbox"/> YES	<input checked="" type="checkbox"/> NO

<input type="checkbox"/> 3 HOLES	<input checked="" type="checkbox"/> 4 HOLES	PISTONS	<input type="checkbox"/> 3 HOLES	<input checked="" type="checkbox"/> 4 HOLES
		1.0mm		
		1.1mm		
		1.2mm		
		OTHERS		

1.4	THICKNESS/mm	ANTI-ROLL BAR	THICKNESS/mm	1.2
-----	--------------	---------------	--------------	-----

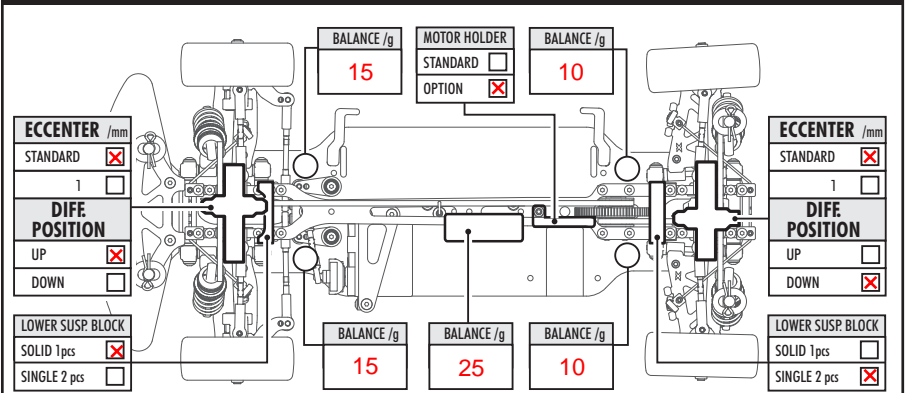
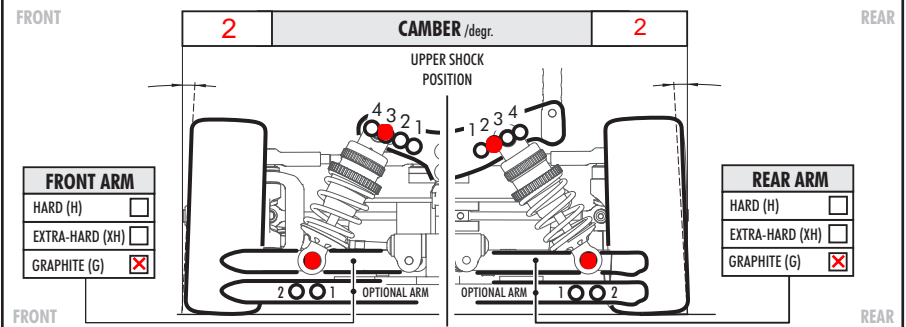
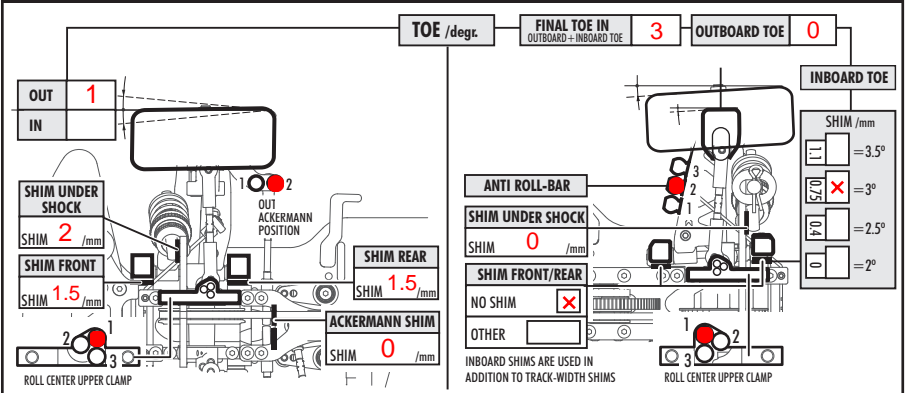
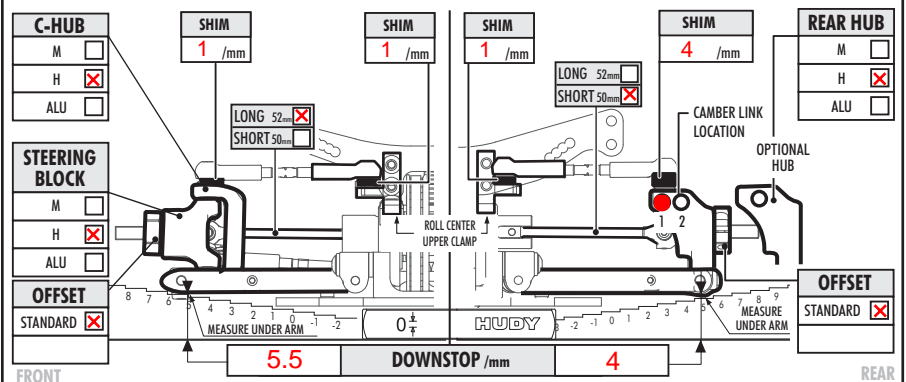
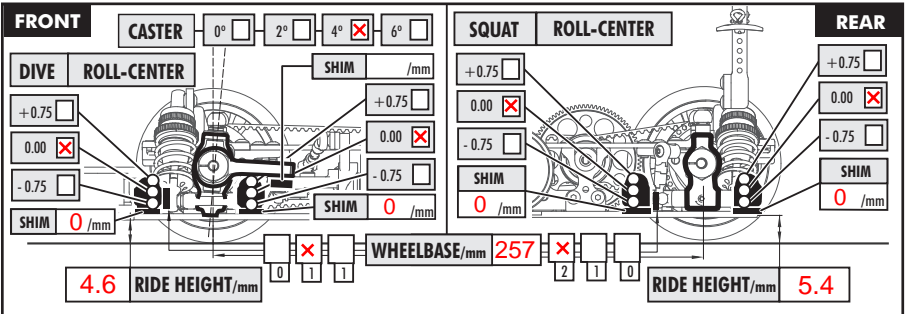
MM 32 Control	TIRES	MM 32 Control
	INSERTS	
n/a	ADDITIVE	n/a
	ADDITIVE TIMING	

FRONT LEFT	FRONT RIGHT	REAR LEFT	REAR RIGHT
TREATED AREA			

WHEELS			
S	M	H	HARDNESS
<input type="checkbox"/>	<input type="checkbox"/>	<input type="checkbox"/>	S
<input type="checkbox"/>	<input type="checkbox"/>	<input type="checkbox"/>	M
<input type="checkbox"/>	<input type="checkbox"/>	<input type="checkbox"/>	H

MOTOR	SP 13.5 MMM	TIMING	+15
ROTOR		ARMATURE	
ESC	HW V3	BATTERIES	ProAmp 6000
BODY	LTC-R	WING	+5mm

●  - APPLIED S-SOFT M-MEDIUM H-HARD



COMMENTS  
ECS Shafts in Front