

# SET-UP SHEET

# XRAY T4

RACE	Longwy 3Fronties #9		
TRACK	Longwy Carpet		
NAME	Thilo-Alexander		
CITY / COUNTRY	Elten	Germany	
CONTACT	serpi@gmx.net		

DATE	17.12.2012	TEMPERATURE / °F or °C	AIR	23	TRACK	23
------	------------	------------------------	-----	----	-------	----

QUALIFYING POSITION	BEST LAPTIME /sec	FINAL POSITION	RACE LENGTH /minutes
13	12.0	17	5

TRACK CONDITION	<input type="checkbox"/> CARPET	<input type="checkbox"/> ASPHALT	
<input type="checkbox"/> TECHNICAL	<input checked="" type="checkbox"/> MIXED	<input type="checkbox"/> FAST	
TRACTION	<input type="checkbox"/> LOW	<input type="checkbox"/> MEDIUM	<input checked="" type="checkbox"/> HIGH

FRONT	REAR
TRANSMISSION	

SOLID AXLE	<input checked="" type="checkbox"/> YES	BALL DIFFERENTIAL	<input type="checkbox"/> YES
SOLID ONE WAY DIFF.	<input type="checkbox"/> YES		
ONE WAY DIFFERENTIAL	<input type="checkbox"/> YES		

GEAR DIFFERENTIAL	<input type="checkbox"/> YES	GEAR DIFFERENTIAL	<input checked="" type="checkbox"/> YES
OIL	no	OIL	XRAY 1000 /cst

PINION / T	32	SPUR GEAR / T	108
FINAL DRIVE RATIO	3.375	ROLLOUT	NaN

FRONT	XRAY SPRINGS	REAR
2.5		2.3-2.6

350	OIL / CST	350
	LENGTH /mm	

10%	REBOUND %	10%
-----	-----------	-----

<input type="checkbox"/> YES	<input checked="" type="checkbox"/> NO	FOAM INSERTS	<input type="checkbox"/> YES	<input checked="" type="checkbox"/> NO
<input type="checkbox"/> YES	<input checked="" type="checkbox"/> NO	O-RING ON SHAFT	<input type="checkbox"/> YES	<input checked="" type="checkbox"/> NO

<input type="checkbox"/> 3 HOLES	<input checked="" type="checkbox"/> 4 HOLES	PISTONS	<input type="checkbox"/> 3 HOLES	<input checked="" type="checkbox"/> 4 HOLES
		1.0mm		
		1.1mm		
		1.2mm		
		OTHERS		

1.4	THICKNESS/mm	ANTI-ROLL BAR	THICKNESS/mm	1.2
-----	--------------	---------------	--------------	-----

LRP Handout	TIRES	LRP Handout
	INSERTS	
	ADDITIVE	
35min	ADDITIVE TIMING	35min



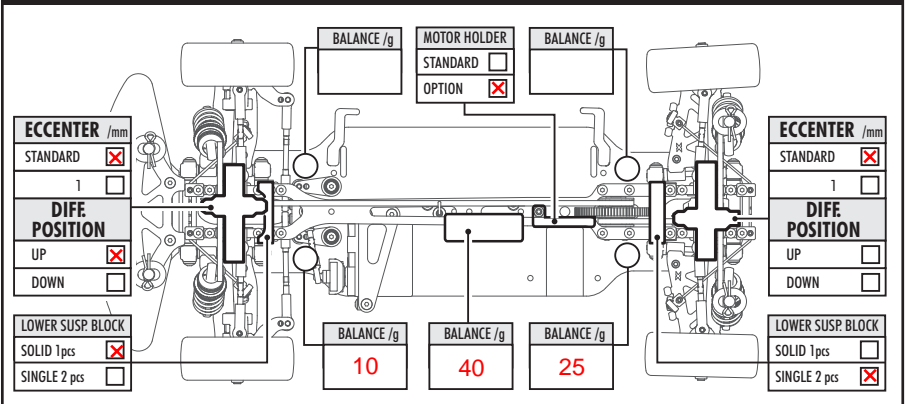
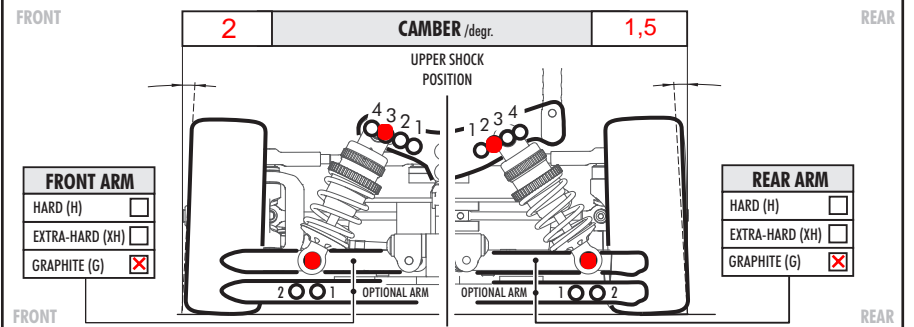
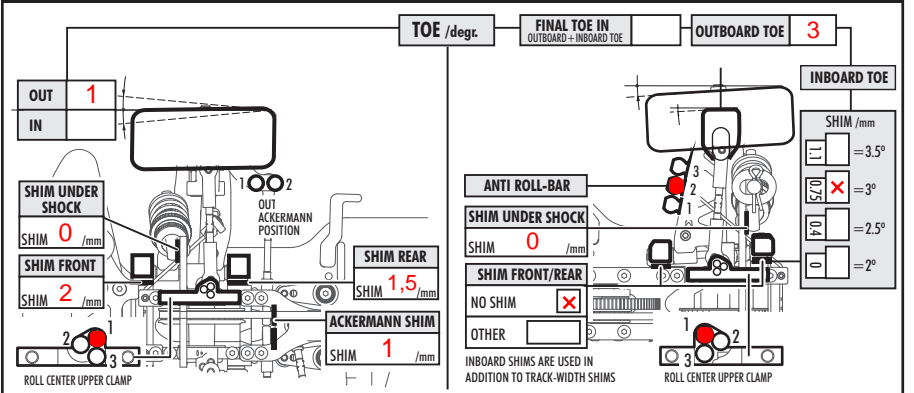
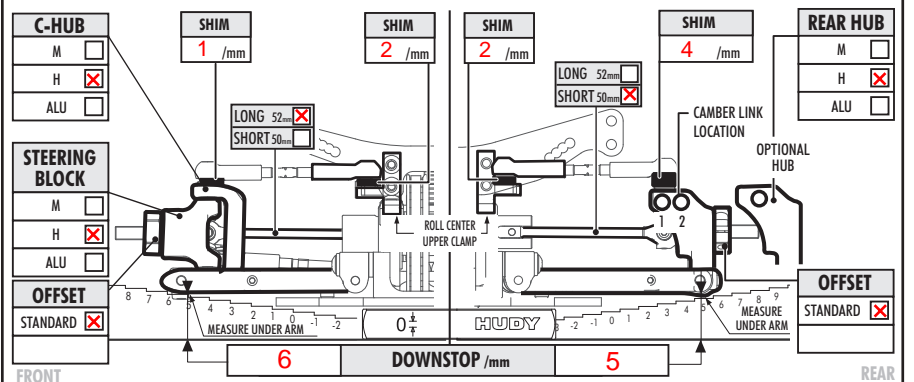
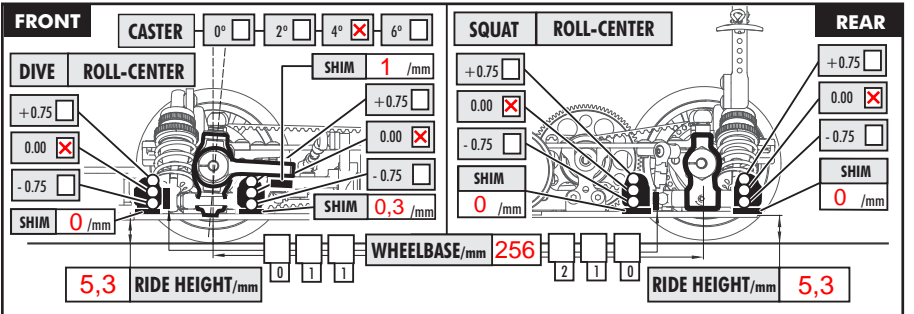
WHEELS		
S <input type="checkbox"/>	M <input type="checkbox"/>	H <input type="checkbox"/>
HARDNESS		
S <input type="checkbox"/>	M <input type="checkbox"/>	H <input type="checkbox"/>

MOTOR	3.0SP 5,5T	TIMING	
ROTOR		ARMATURE	

ESC	GT 2.0	BATTERIES	RB
-----	--------	-----------	----

BODY	PF speed6	WING	Stock
------	-----------	------	-------

•  - APPLIED S-SOFT M-MEDIUM H-HARD



COMMENTS  
**ECS Driveshafts**  
 Car easy to drive, onpower understeer,