

SET-UP SHEET

XRAY T4

RACE	ETS Starting point		
TRACK	ETS track		
NAME	Alexander Hagberg		
CITY / COUNTRY	Uppsala	Sweden	
CONTACT	alexander.hagberg@gmail.com		

DATE	08/10/2012	TEMPERATURE / °F or °C	AIR	TRACK
QUALIFYING POSITION	BEST LAPTIME /sec	FINAL POSITION	RACE LENGTH /minutes	

TRACK CONDITION		<input checked="" type="checkbox"/> CARPET	<input type="checkbox"/> ASPHALT
<input type="checkbox"/> TECHNICAL	<input checked="" type="checkbox"/> MIXED	<input type="checkbox"/> FAST	
TRACTION		<input checked="" type="checkbox"/> MEDIUM	<input type="checkbox"/> HIGH
<input type="checkbox"/> LOW			

FRONT		REAR	
TRANSMISSION			
SOLID AXLE	<input checked="" type="checkbox"/> YES	BALL DIFFERENTIAL	<input type="checkbox"/> YES
SOLID ONE WAY DIFF.	<input type="checkbox"/> YES		
ONE WAY DIFFERENTIAL	<input type="checkbox"/> YES		
GEAR DIFFERENTIAL	<input type="checkbox"/> YES	GEAR DIFFERENTIAL	<input type="checkbox"/> YES
OIL		OIL	2000 /cst
PINION / T	23	SPUR GEAR / T	110
FINAL DRIVE RATIO	4.7826086956522	ROLLOUT	NaN

FRONT		REAR	
2.5-2.8	XRAY SPRINGS	2.5-2.8	
300	OIL / CST	300	
	LENGTH /mm		
	PRELOAD /mm		
25	REBOUND %	25	

<input type="checkbox"/> YES	<input checked="" type="checkbox"/> NO	FOAM INSERTS	<input type="checkbox"/> YES	<input checked="" type="checkbox"/> NO
<input type="checkbox"/> YES	<input checked="" type="checkbox"/> NO	O-RING ON SHAFT	<input type="checkbox"/> YES	<input checked="" type="checkbox"/> NO
<input type="checkbox"/> 3 HOLES	<input checked="" type="checkbox"/> 4 HOLES	PISTONS	<input type="checkbox"/> 3 HOLES	<input checked="" type="checkbox"/> 4 HOLES
		1.0mm		
		1.1mm		
		1.2mm		
		OTHERS		
1.4	THICKNESS/mm	ANTI-ROLL BAR	THICKNESS/mm	1.4

TIRES			
INSERTS			
ADDITIVE			
ADDITIVE TIMING			
FRONT LEFT	FRONT RIGHT	REAR LEFT	REAR RIGHT
TREATED AREA			
WHEELS			
S <input type="checkbox"/>	M <input type="checkbox"/>	H <input type="checkbox"/>	HARDNESS
S <input type="checkbox"/>	M <input type="checkbox"/>	H <input type="checkbox"/>	
MOTOR	ORCA TX 4.5T	TIMING	0
ROTOR	STD	ARMATURE	
ESC	ORCA VX	BATTERIES	ORCA INFINITE 6500
BODY	Speed 6 LW	WING	MR33

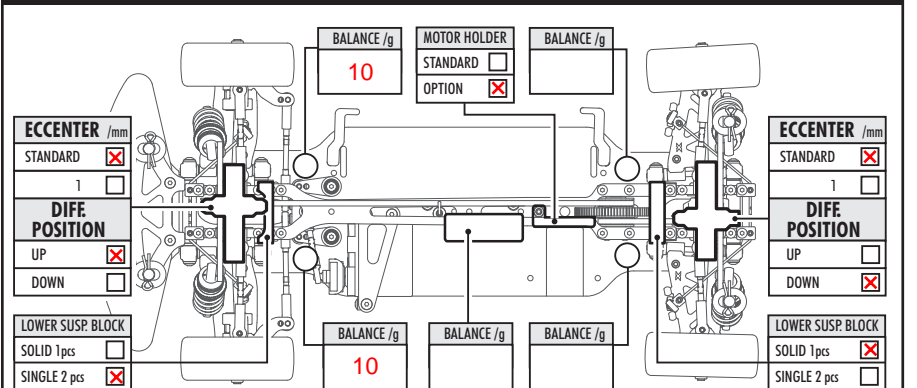
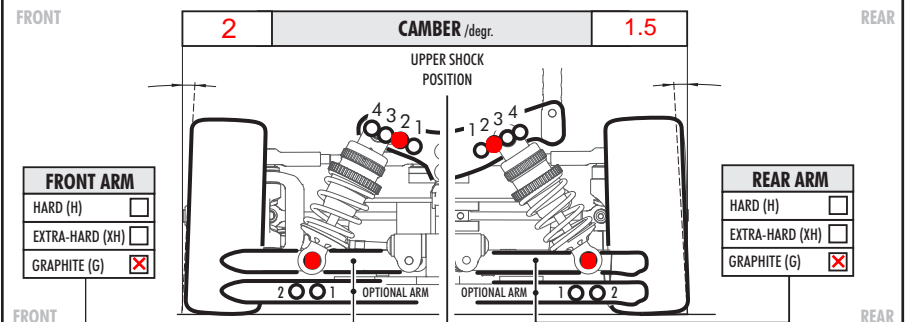
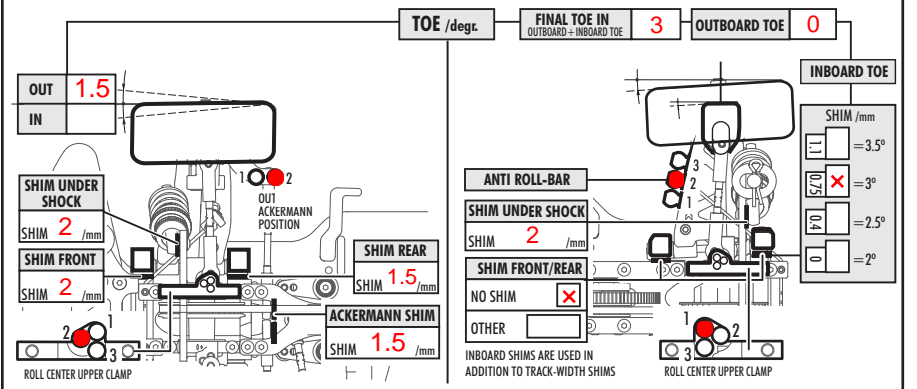
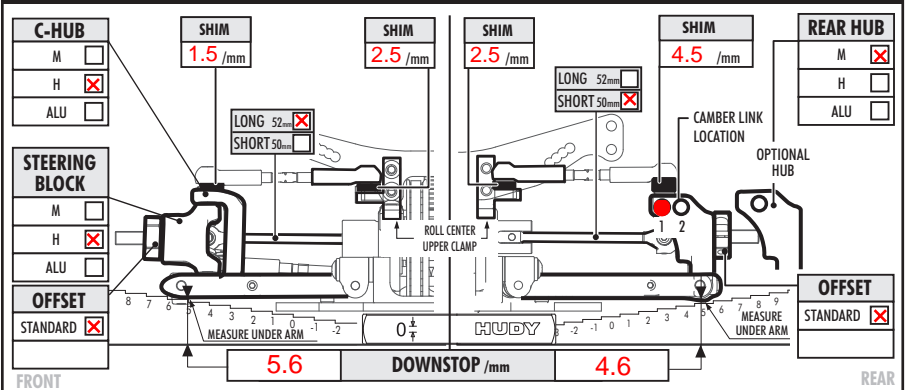
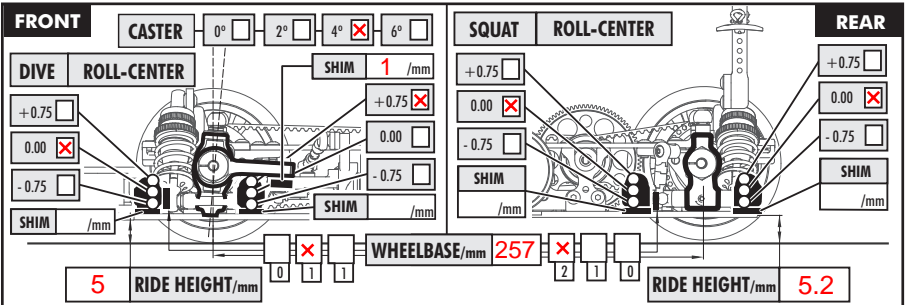
TIRES	
INSERTS	
ADDITIVE	
ADDITIVE TIMING	

FRONT LEFT	FRONT RIGHT	REAR LEFT	REAR RIGHT
TREATED AREA			
WHEELS			
S <input type="checkbox"/>	M <input type="checkbox"/>	H <input type="checkbox"/>	HARDNESS
S <input type="checkbox"/>	M <input type="checkbox"/>	H <input type="checkbox"/>	
MOTOR	ORCA TX 4.5T	TIMING	0
ROTOR	STD	ARMATURE	
ESC	ORCA VX	BATTERIES	ORCA INFINITE 6500
BODY	Speed 6 LW	WING	MR33

TIRES	
INSERTS	
ADDITIVE	
ADDITIVE TIMING	

MOTOR	ORCA TX 4.5T	TIMING	0
ROTOR	STD	ARMATURE	
ESC	ORCA VX	BATTERIES	ORCA INFINITE 6500
BODY	Speed 6 LW	WING	MR33

• - APPLIED S-SOFT M-MEDIUM H-HARD



COMMENTS
Hudy alu servo horn with 8mm shims