

SET-UP SHEET

XRAY T4

RACE	DHI CUP 2013		
TRACK	Stadium Arena Fyn		
NAME	Alexander Hagberg		
CITY / COUNTRY	Odense	Denmark	
CONTACT	alexander.hagberg@gmail.com		

DATE	15/01/2013	TEMPERATURE / °F or °C	AIR	TRACK
QUALIFYING POSITION	4	BEST LAPTIME /sec	FINAL POSITION	4
RACE LENGTH /minutes				

TRACK CONDITION	<input checked="" type="checkbox"/> CARPET	<input type="checkbox"/> ASPHALT
<input type="checkbox"/> TECHNICAL	<input checked="" type="checkbox"/> MIXED	<input type="checkbox"/> FAST
TRACTION	<input type="checkbox"/> LOW	<input checked="" type="checkbox"/> MEDIUM
	<input type="checkbox"/> HIGH	

FRONT		REAR	
TRANSMISSION			
SOLID AXLE	<input checked="" type="checkbox"/> YES	BALL DIFFERENTIAL	<input type="checkbox"/> YES
SOLID ONE WAY DIFF.	<input type="checkbox"/> YES		
ONE WAY DIFFERENTIAL	<input type="checkbox"/> YES		
GEAR DIFFERENTIAL	<input type="checkbox"/> YES	GEAR DIFFERENTIAL	<input checked="" type="checkbox"/> YES
OIL		OIL	3000 /cst
PINION / T	24	SPUR GEAR / T	112
FINAL DRIVE RATIO	4.6666666666667	ROLLOUT	NaN

FRONT		REAR	
2.5-2.8	XRAY SPRINGS	2.5-2.8	
300	OIL / CST	400	
	LENGTH /mm		
	PRELOAD /mm		
50	REBOUND %	25	

<input type="checkbox"/> YES	<input checked="" type="checkbox"/> NO	FOAM INSERTS	<input type="checkbox"/> YES	<input checked="" type="checkbox"/> NO
<input type="checkbox"/> YES	<input checked="" type="checkbox"/> NO	O-RING ON SHAFT	<input type="checkbox"/> YES	<input checked="" type="checkbox"/> NO
<input type="checkbox"/> 3 HOLES	<input checked="" type="checkbox"/> 4 HOLES	PISTONS	<input type="checkbox"/> 3 HOLES	<input checked="" type="checkbox"/> 4 HOLES
		1.0mm		
		1.1mm		
		1.2mm		
		OTHERS		

<input type="checkbox"/> YES	<input checked="" type="checkbox"/> NO	ANTI-ROLL BAR THICKNESS/mm	1.4	1.3
<input type="checkbox"/> YES	<input checked="" type="checkbox"/> NO			

<input type="checkbox"/> 3 HOLES	<input checked="" type="checkbox"/> 4 HOLES	<input type="checkbox"/> 3 HOLES	<input checked="" type="checkbox"/> 4 HOLES

1.4	THICKNESS/mm	ANTI-ROLL BAR	THICKNESS/mm	1.3
-----	--------------	---------------	--------------	-----

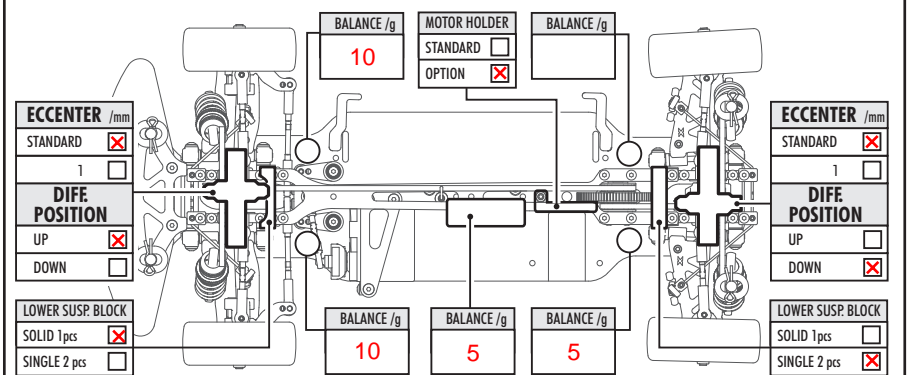
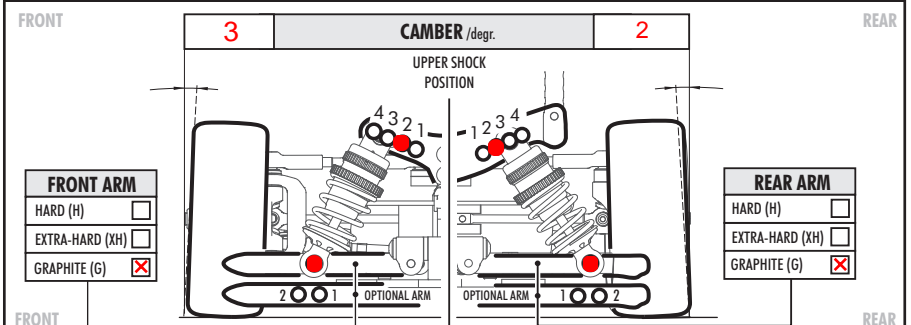
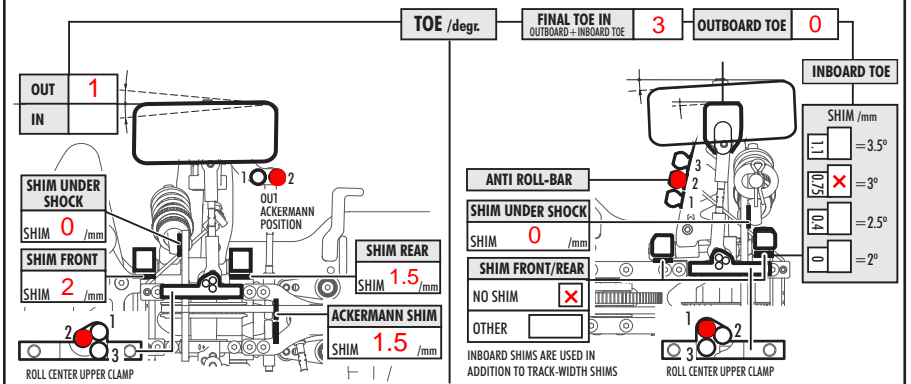
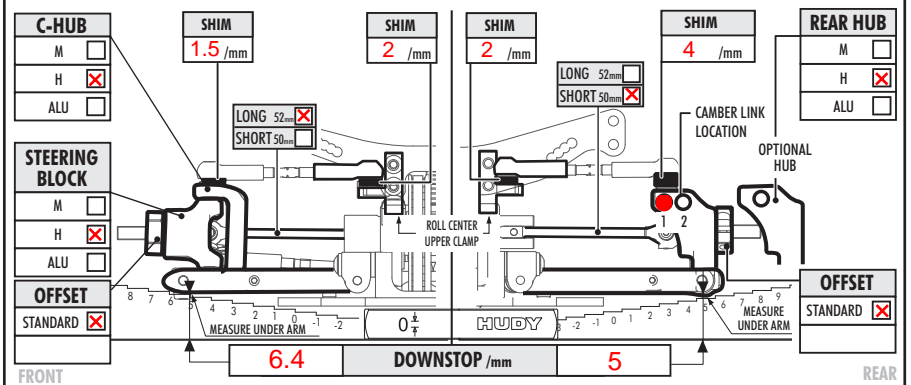
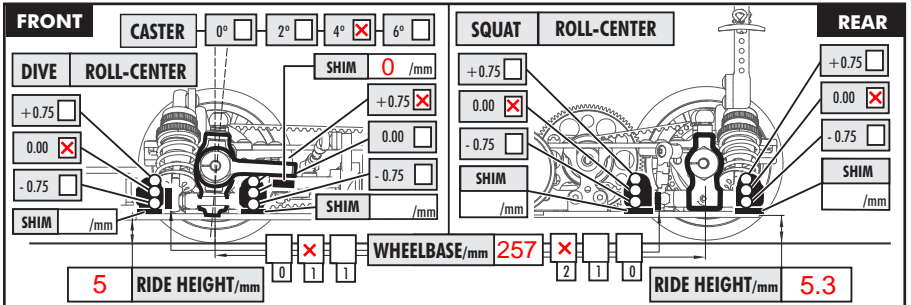
LRP CPX	TIRES	LRP CPX
AME MBT	INSERTS	AME MBT
15	ADDITIVE	15
	ADDITIVE TIMING	



S <input type="checkbox"/>	M <input type="checkbox"/>	H <input type="checkbox"/>	WHEELS	S <input type="checkbox"/>	M <input type="checkbox"/>	H <input type="checkbox"/>
			HARDNESS			

MOTOR	ORCA TX 4.5T	TIMING	STD
ROTOR	12.5	ARMATURE	
ESC	ORCA VX	BATTERIES	ORCA 6000 80C
BODY	PF Speed 6 LW	WING	MR33

● - APPLIED S-SOFT M-MEDIUM H-HARD



COMMENTS 15 grams in front bumper

Steering posts raised by 1.5mm

ECS front driveshafts

HUDY Alu servo horn