

SET-UP SHEET

XRAY T4

RACE	Norwegian nats series rd1		
TRACK	Fagernes		
NAME	Adrian Berntsen		
CITY / COUNTRY	Spydeberg	Norway	
CONTACT	adrian@lurifax.no		

DATE	23/10/2012	TEMPERATURE / °F or °C	AIR	TRACK
QUALIFYING POSITION	1	BEST LAPTIME /sec	10,3	FINAL POSITION
				1
				RACE LENGTH /minutes
				5

TRACK CONDITION	<input checked="" type="checkbox"/> CARPET	<input type="checkbox"/> ASPHALT
	<input type="checkbox"/> TECHNICAL	<input type="checkbox"/> FAST
TRACTION	<input checked="" type="checkbox"/> LOW	<input type="checkbox"/> MEDIUM
	<input type="checkbox"/> MIXED	<input type="checkbox"/> HIGH

FRONT	REAR
TRANSMISSION	

SOLID AXLE	<input checked="" type="checkbox"/> YES	BALL DIFFERENTIAL	<input type="checkbox"/> YES
SOLID ONE WAY DIFF.	<input type="checkbox"/> YES		
ONE WAY DIFFERENTIAL	<input type="checkbox"/> YES		
GEAR DIFFERENTIAL	<input type="checkbox"/> YES	GEAR DIFFERENTIAL	<input checked="" type="checkbox"/> YES
OIL		OIL	3000 /cst

PINION / T	25	SPUR GEAR / T	112
FINAL DRIVE RATIO	4.48	ROLLOUT	NaN

FRONT	REAR
2,5-2,8	XRAY SPRINGS
400	OIL / CST
	LENGTH /mm
	PRELOAD /mm
0	REBOUND %

<input type="checkbox"/> YES	<input checked="" type="checkbox"/> NO	FOAM INSERTS	<input type="checkbox"/> YES	<input checked="" type="checkbox"/> NO
<input type="checkbox"/> YES	<input checked="" type="checkbox"/> NO	O-RING ON SHAFT	<input type="checkbox"/> YES	<input checked="" type="checkbox"/> NO

<input type="checkbox"/> 3 HOLES	<input checked="" type="checkbox"/> 4 HOLES	PISTONS	<input type="checkbox"/> 3 HOLES	<input checked="" type="checkbox"/> 4 HOLES
		1.0mm		
		1.1mm		
		1.2mm		
		OTHERS		

1,4	THICKNESS/mm	ANTI-ROLL BAR	THICKNESS/mm	1,2
-----	--------------	---------------	--------------	-----

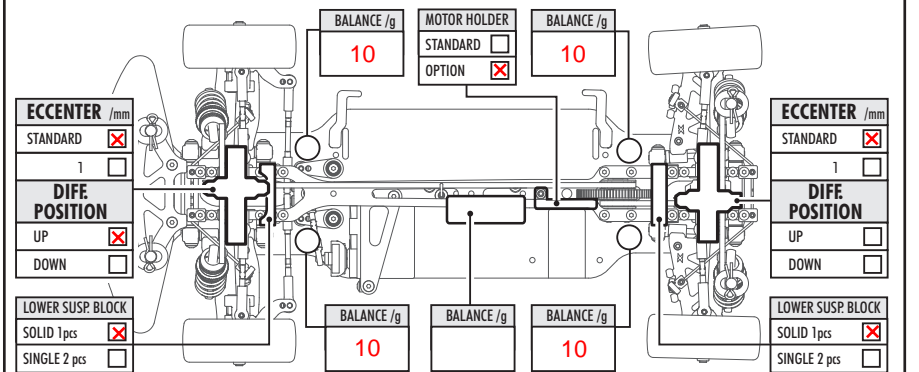
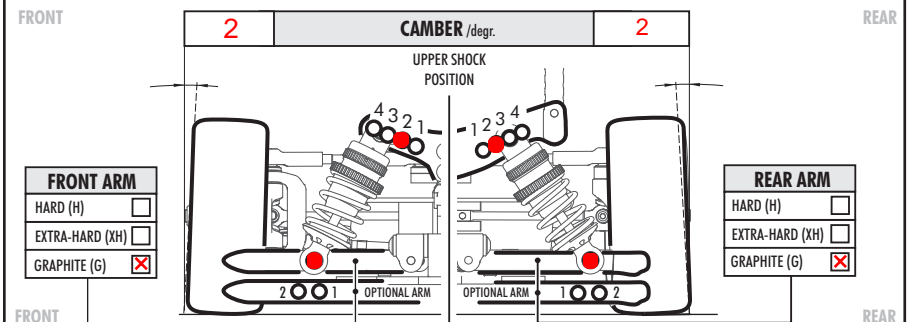
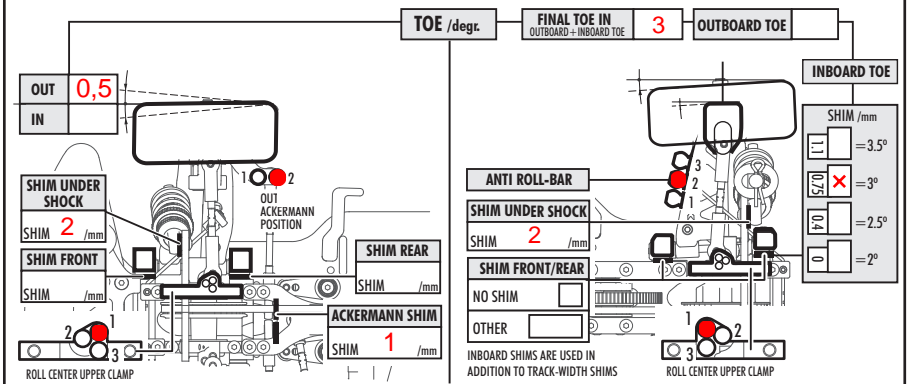
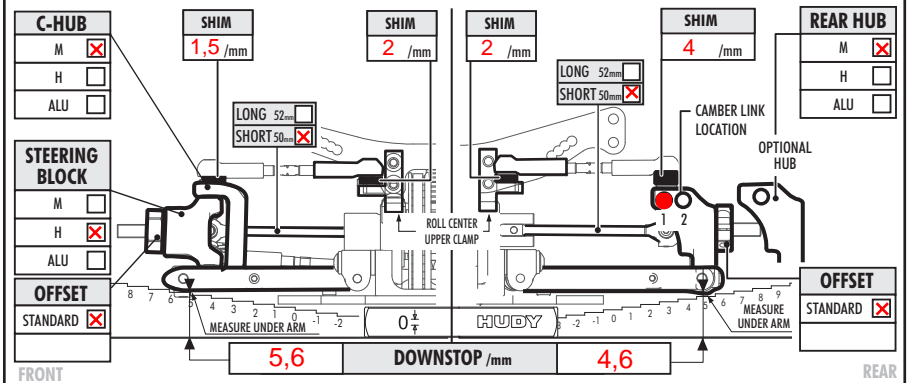
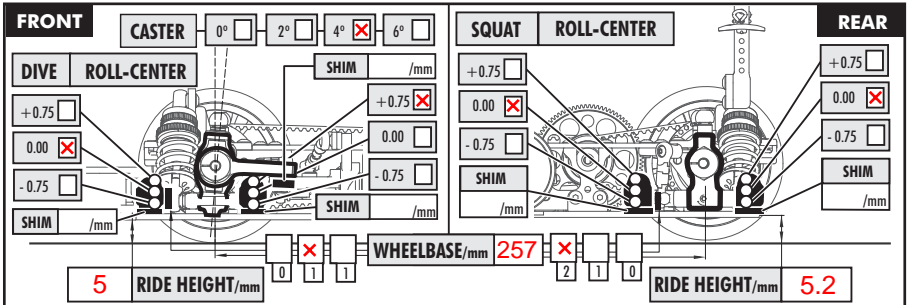
SOREX 28	TIRES	SOREX 28
AME MBT	INSERTS	AME MBT
20 min	ADDITIVE	20 min
	ADDITIVE TIMING	



WHEELS	
S <input type="checkbox"/>	M <input type="checkbox"/>
H <input type="checkbox"/>	HARDNESS
S <input type="checkbox"/>	M <input type="checkbox"/>
H <input type="checkbox"/>	H <input type="checkbox"/>

MOTOR	ORCA	TIMING	0
ROTOR	std	ARMATURE	
ESC	ORCA	BATTERIES	ORCA
BODY	Nazda 6.0	WING	MR33

● - APPLIED S-SOFT M-MEDIUM H-HARD



COMMENTS

Also using the ecs shafts in rear