

# SET-UP SHEET

# XRAY T4'14

RACE	Timezone Grand Prix - 17.5 Stock		
TRACK	Timezone		
NAME	Danny Buck		
CITY / COUNTRY	Battleground, WA	USA	
CONTACT			

DATE	07/08/2015	TEMPERATURE / °F or °C	AIR	96F	TRACK	130F
------	------------	------------------------	-----	-----	-------	------

QUALIFYING POSITION	BEST LAPTIME /sec	FINAL POSITION	RACE LENGTH /minutes
3rd		4th	5

TRACK CONDITION	<input type="checkbox"/> CARPET	<input checked="" type="checkbox"/> ASPHALT
<input type="checkbox"/> TECHNICAL	<input type="checkbox"/> MIXED	<input checked="" type="checkbox"/> FAST

TRACTION	<input type="checkbox"/> LOW	<input checked="" type="checkbox"/> MEDIUM	<input type="checkbox"/> HIGH
----------	------------------------------	--	-------------------------------

FRONT	REAR
TRANSMISSION	

SOLID AXLE	<input type="checkbox"/> YES	BALL DIFFERENTIAL	<input type="checkbox"/> YES
SOLID ONE WAY DIFF.	<input type="checkbox"/> YES		
ONE WAY DIFFERENTIAL	<input type="checkbox"/> YES		

GEAR DIFFERENTIAL	<input type="checkbox"/> YES	GEAR DIFFERENTIAL	<input checked="" type="checkbox"/> YES
OIL	2.5m	OIL	5k /Cst

PINION / T	18	SPUR GEAR / T	116
FINAL DRIVE RATIO	6.444444444444444	ROLLOUT	0

FRONT	REAR
-------	------

2.5	XRAY SPRINGS	2.5
-----	--------------	-----

400	OIL / CST	400
	LENGTH /mm	

10%	PRELOAD /mm	10%
	REBOUND %	

<input checked="" type="checkbox"/> YES	<input type="checkbox"/> NO	FOAM INSERTS	<input checked="" type="checkbox"/> YES	<input type="checkbox"/> NO
<input type="checkbox"/> YES	<input checked="" type="checkbox"/> NO	O-RING ON SHAFT	<input type="checkbox"/> YES	<input checked="" type="checkbox"/> NO

<input type="checkbox"/> 3 HOLES	<input checked="" type="checkbox"/> 4 HOLES	PISTONS	1.0mm	<input type="checkbox"/> 3 HOLES	<input checked="" type="checkbox"/> 4 HOLES
			1.1mm		
			1.2mm		
OTHERS					

1.4	THICKNESS/mm	ANTI-ROLL BAR	THICKNESS/mm	1.2
-----	--------------	---------------	--------------	-----

Sweep 36	TIRES	Sweep 36
	INSERTS	
Paragon FX2	ADDITIVE	Paragon FX2
10 min	ADDITIVE TIMING	10 min

FRONT LEFT	FRONT RIGHT	REAR LEFT	REAR RIGHT
TREATED AREA			

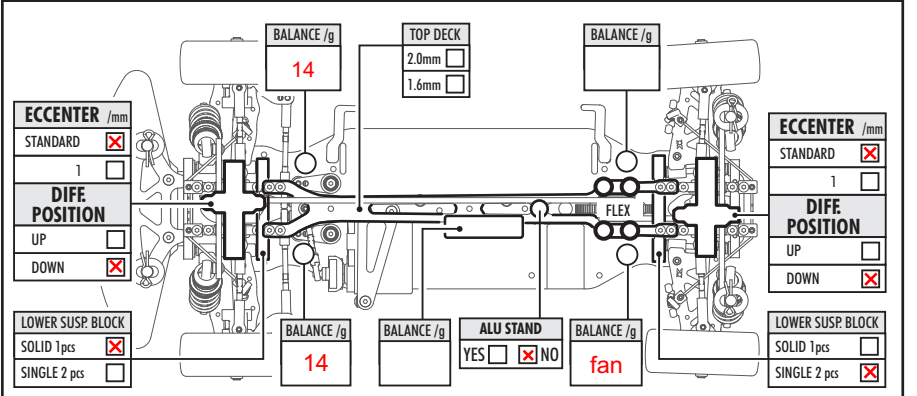
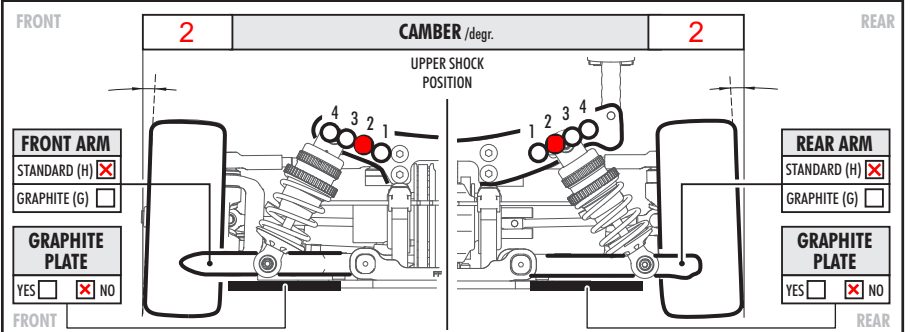
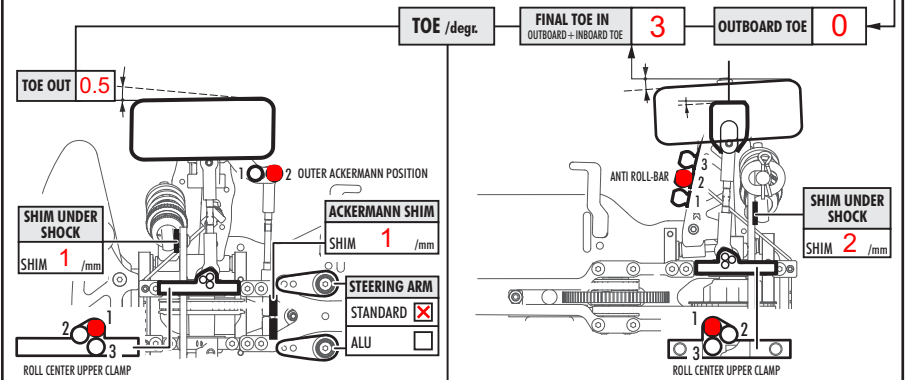
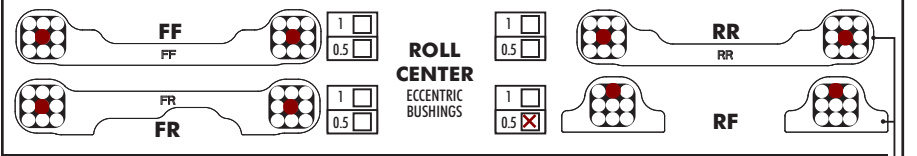
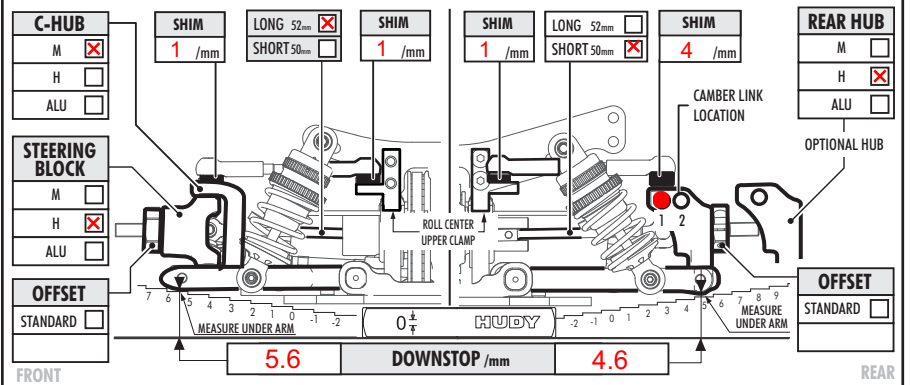
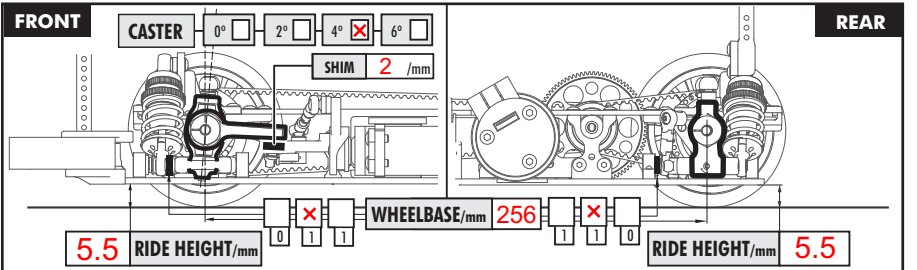
WHEELS			
<input type="checkbox"/> S	<input type="checkbox"/> M	<input type="checkbox"/> H	<input type="checkbox"/>
HARDNESS			
<input type="checkbox"/> S	<input type="checkbox"/> M	<input type="checkbox"/> H	<input type="checkbox"/>

MOTOR	Team EAM D41S	TIMING	55 on Endbell
ROTOR	12.5	ARMATURE	17.5

ESC	ORCA VXX	BATTERIES	TP 6000 Velocity
-----	----------	-----------	------------------

BODY	LTC-R	WING	PF Pro TC
------	-------	------	-----------

●  - APPLIED S-SOFT M-MEDIUM H-HARD



COMMENTS