

# SET-UP SHEET

# XRAY T4/T4

RACE	WCICS Round 6 Stock		
TRACK	FASTRAXX		
NAME	Danny Buck		
CITY / COUNTRY	Moose Jaw, SK	Canada	
CONTACT			

DATE	09/02/2015	TEMPERATURE / °F or °C	AIR	TRACK
------	------------	------------------------	-----	-------

QUALIFYING POSITION	BEST LAPTIME /sec	FINAL POSITION	RACE LENGTH /minutes
2	11.899	2	5

TRACK CONDITION	<input checked="" type="checkbox"/> TECHNICAL	<input checked="" type="checkbox"/> CARPET	<input type="checkbox"/> ASPHALT
	<input type="checkbox"/> MIXED	<input type="checkbox"/> FAST	
TRACTION	<input type="checkbox"/> LOW	<input checked="" type="checkbox"/> MEDIUM	<input type="checkbox"/> HIGH

FRONT	REAR
TRANSMISSION	

SOLID AXLE	<input checked="" type="checkbox"/> YES	BALL DIFFERENTIAL	<input type="checkbox"/> YES
SOLID ONE WAY DIFF.	<input type="checkbox"/> YES		
ONE WAY DIFFERENTIAL	<input type="checkbox"/> YES		

GEAR DIFFERENTIAL	<input type="checkbox"/> YES	GEAR DIFFERENTIAL	<input checked="" type="checkbox"/> YES
OIL		OIL	2k /Cst

PINION / T	45	SPUR GEAR / T	96
FINAL DRIVE RATIO	2.13333333333333	ROLLOUT	0

FRONT	REAR
-------	------

2.5	XRAY SPRINGS	2.5
-----	--------------	-----

400	OIL / CST	350
-----	-----------	-----

	LENGTH /mm	
--	------------	--

	PRELOAD /mm	
--	-------------	--

0	REBOUND %	0
---	-----------	---

<input type="checkbox"/> YES <input checked="" type="checkbox"/> NO	FOAM INSERTS	<input type="checkbox"/> YES <input checked="" type="checkbox"/> NO
<input type="checkbox"/> YES <input checked="" type="checkbox"/> NO	O-RING ON SHAFT	<input type="checkbox"/> YES <input checked="" type="checkbox"/> NO

<input type="checkbox"/> 3 HOLES	PISTONS	<input type="checkbox"/> 3 HOLES
<input checked="" type="checkbox"/> 4 HOLES	1.0mm	<input checked="" type="checkbox"/> 4 HOLES
	1.1mm	
	1.2mm	
	OTHERS	

1.4	THICKNESS/mm	ANTI-ROLL BAR	THICKNESS/mm	1.2
-----	--------------	---------------	--------------	-----

Sweep 32EXP	TIRES	Sweep 32EXP
WCICS Spec	INSERTS	WCICS Spec
SXT 3.0	ADDITIVE	SXT 3.0
10 min	ADDITIVE TIMING	10 min

FRONT LEFT	FRONT RIGHT	REAR LEFT	REAR RIGHT
TREATED AREA			

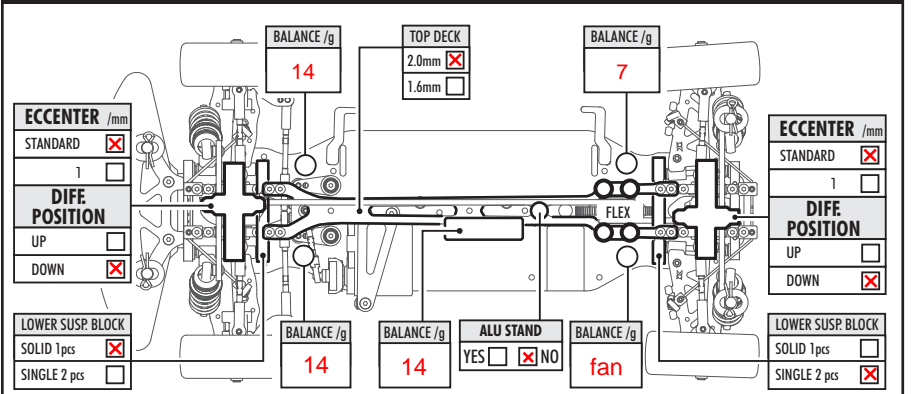
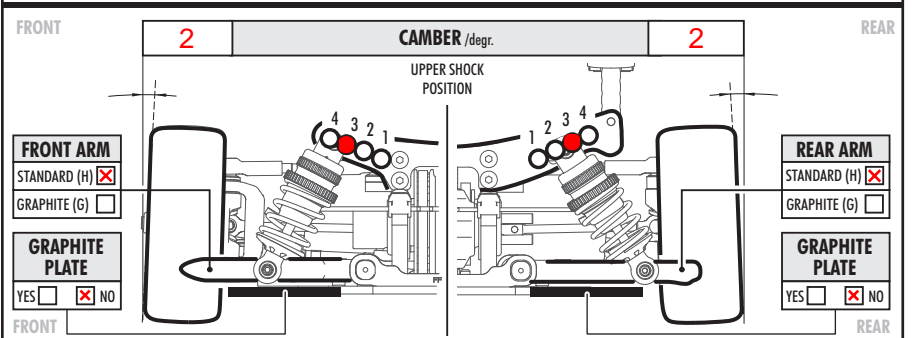
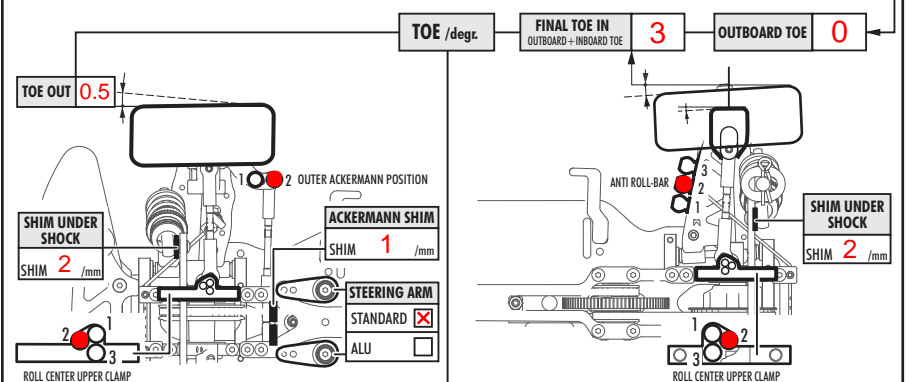
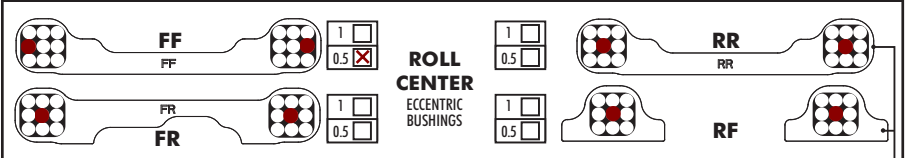
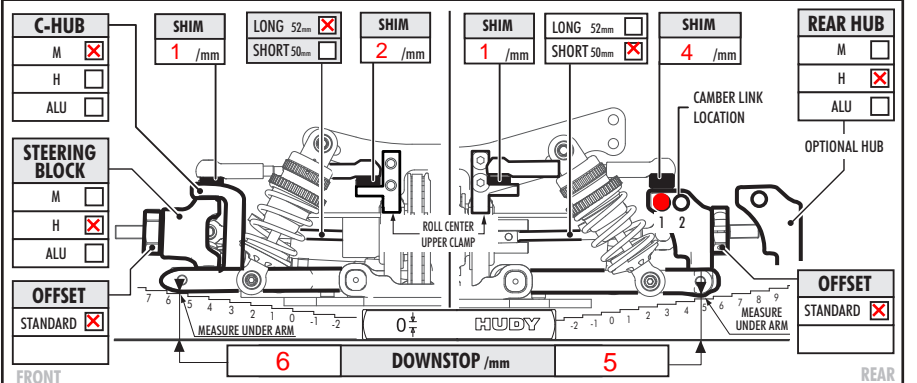
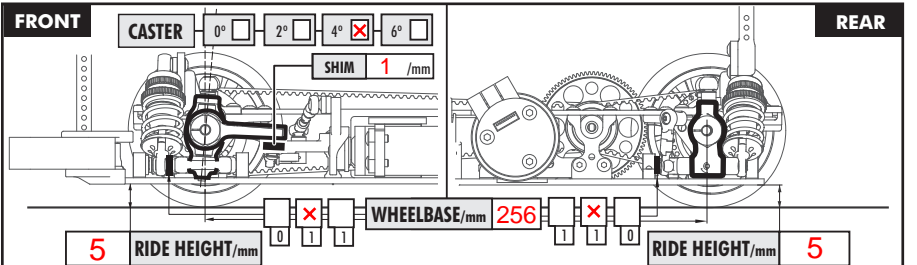
Sweep	WHEELS	Sweep
S <input type="checkbox"/> M <input checked="" type="checkbox"/> H <input type="checkbox"/>	HARDNESS	S <input type="checkbox"/> M <input checked="" type="checkbox"/> H <input type="checkbox"/>

MOTOR	D4 1s	TIMING	50
ROTOR	12.5 HT	ARMATURE	17.5

ESC	ORCA VXX	BATTERIES	SMC 7200 70c
-----	----------	-----------	--------------

BODY	Speed 6 LW	WING	PF PRO TC
------	------------	------	-----------

- APPLIED    S-SOFT    M-MEDIUM    H-HARD



COMMENTS  
**USED RSD DRIVESHAFTS IN FRONT**