

SET-UP SHEET

XRAY T4'14

RACE	WC		
TRACK	Full Throttle Raceway		
NAME	Bruno Coelho		
CITY / COUNTRY	Kissimmee	USA	
CONTACT	bruno_lisboa_10@hotmail.com		

DATE	20/10/2014	TEMPERATURE / °F or °C	AIR	35?	TRACK	50?
------	------------	------------------------	-----	-----	-------	-----

QUALIFYING POSITION	BEST LAPTIME /sec	FINAL POSITION	RACE LENGTH /minutes
3?	17.020	2?	

TRACK CONDITION	<input type="checkbox"/> CARPET	<input checked="" type="checkbox"/> ASPHALT	
<input type="checkbox"/> TECHNICAL	<input checked="" type="checkbox"/> MIXED	<input type="checkbox"/> FAST	
TRACTION	<input type="checkbox"/> LOW	<input type="checkbox"/> MEDIUM	<input checked="" type="checkbox"/> HIGH

FRONT	REAR
TRANSMISSION	

SOLID AXLE	<input checked="" type="checkbox"/> YES	BALL DIFFERENTIAL	<input type="checkbox"/> YES
SOLID ONE WAY DIFF.	<input type="checkbox"/> YES		
ONE WAY DIFFERENTIAL	<input type="checkbox"/> YES		

GEAR DIFFERENTIAL	<input type="checkbox"/> YES	GEAR DIFFERENTIAL	<input type="checkbox"/> YES
OIL		OIL	15000 /Cst

PINION / T	21	SPUR GEAR / T	84
FINAL DRIVE RATIO	4	ROLLOUT	NaN

FRONT	REAR
-------	------

2.6	XRAY SPRINGS	2.6
-----	--------------	-----

450	OIL / CST	500
-----	-----------	-----

	LENGTH /mm	
--	------------	--

0	PRELOAD /mm	
	REBOUND %	0

<input type="checkbox"/> YES	<input checked="" type="checkbox"/> NO	FOAM INSERTS	<input type="checkbox"/> YES	<input checked="" type="checkbox"/> NO
<input type="checkbox"/> YES	<input checked="" type="checkbox"/> NO	O-RING ON SHAFT	<input type="checkbox"/> YES	<input type="checkbox"/> NO

<input type="checkbox"/> 3 HOLES	<input checked="" type="checkbox"/> 4 HOLES	PISTONS	1.0mm	<input type="checkbox"/> 3 HOLES	<input checked="" type="checkbox"/> 4 HOLES
			1.1mm		
			1.2mm		
OTHERS					

1.3	THICKNESS/mm	ANTI-ROLL BAR	THICKNESS/mm	1.2
-----	--------------	---------------	--------------	-----

Hot Race 32 WC	TIRES
Only Clean	INSERTS
0	ADDITIVE
	ADDITIVE TIMING

FRONT LEFT	FRONT RIGHT	REAR LEFT	REAR RIGHT
TREATED AREA			

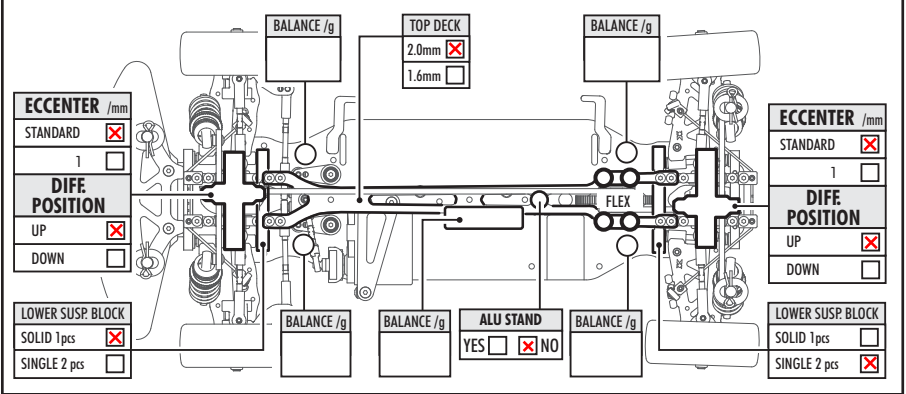
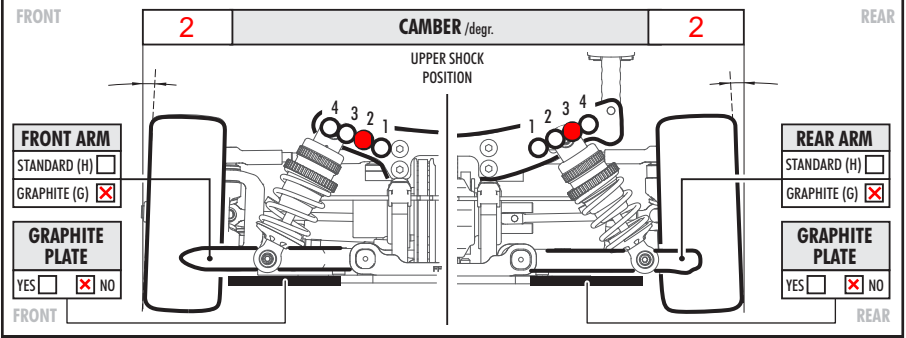
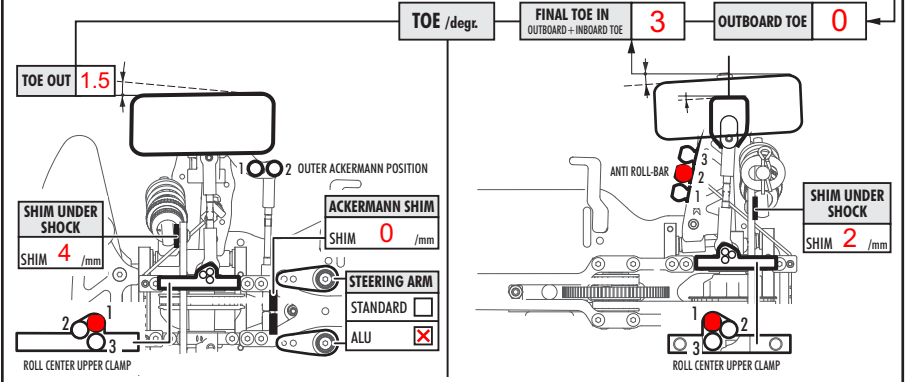
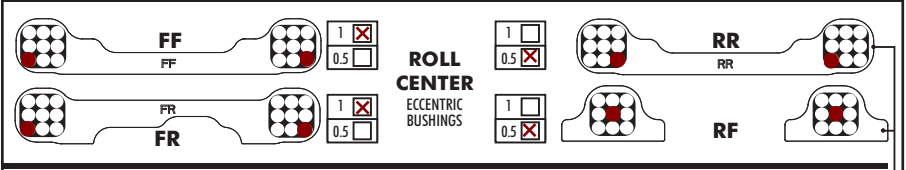
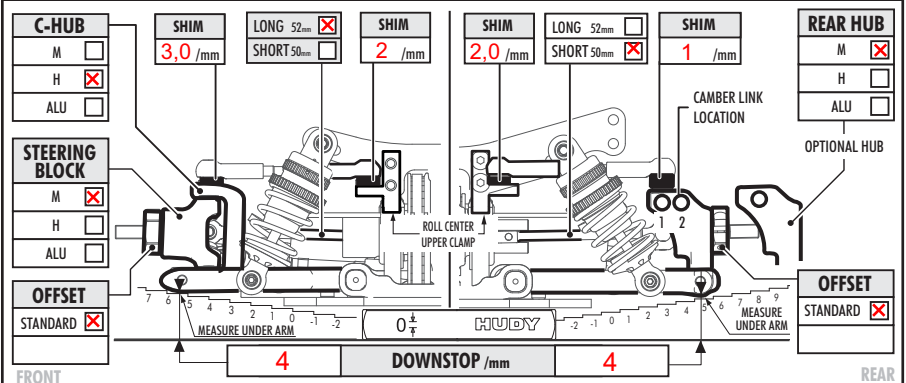
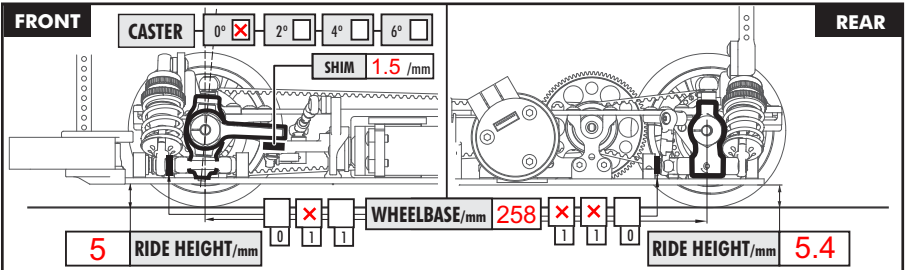
WHEELS		
S <input type="checkbox"/>	M <input type="checkbox"/>	H <input type="checkbox"/>
HARDNESS		
S <input type="checkbox"/>	M <input type="checkbox"/>	H <input type="checkbox"/>

MOTOR	Nosram 4.5	TIMING
ROTOR	12.5mm	ARMATURE

ESC	Nosram Comet HD	BATTERIES	Nosram 6000
-----	-----------------	-----------	-------------

BODY	PF LTC-R Normal	WING	STD
------	-----------------	------	-----

- APPLIED S-SOFT M-MEDIUM H-HARD



COMMENTS
Top Deck Srcws Front 4 rear only 2 at rear front at rear bulhead