

SET-UP SHEET

XRAY T4'14

RACE	2014 canadian nationals		
TRACK	Seaway mall Temp		
NAME	Anonymous		
CITY / COUNTRY	milwaukee	USA	
CONTACT			

DATE	18/03/2014	TEMPERATURE / °F or °C	AIR	TRACK
------	------------	------------------------	-----	-------

QUALIFYING POSITION	BEST LAPTIME /sec	FINAL POSITION	RACE LENGTH /minutes
1	9.6	4	6

TRACK CONDITION	<input checked="" type="checkbox"/> TECHNICAL	<input checked="" type="checkbox"/> CARPET	<input type="checkbox"/> ASPHALT
	<input type="checkbox"/> MIXED	<input type="checkbox"/> FAST	
TRACTION	<input type="checkbox"/> LOW	<input type="checkbox"/> MEDIUM	<input checked="" type="checkbox"/> HIGH

FRONT	REAR
TRANSMISSION	

SOLID AXLE	<input type="checkbox"/> YES	BALL DIFFERENTIAL	<input type="checkbox"/> YES
SOLID ONE WAY DIFF.	<input type="checkbox"/> YES		
ONE WAY DIFFERENTIAL	<input type="checkbox"/> YES		

GEAR DIFFERENTIAL	<input checked="" type="checkbox"/> YES	GEAR DIFFERENTIAL	<input type="checkbox"/> YES
OIL	gravity 1 million cst	OIL	2500 /Cst

PINION / T	26	SPUR GEAR / T	114
FINAL DRIVE RATIO	4.3846153846154	ROLLOUT	NaN

FRONT	REAR
-------	------

2.3	XRAY SPRINGS	2.3
-----	--------------	-----

300	OIL / CST	350
-----	-----------	-----

	LENGTH /mm	
--	------------	--

0	PRELOAD /mm	
---	-------------	--

<input type="checkbox"/> YES	<input checked="" type="checkbox"/> NO	FOAM INSERTS	<input type="checkbox"/> YES	<input checked="" type="checkbox"/> NO
<input checked="" type="checkbox"/> YES	<input type="checkbox"/> NO	O-RING ON SHAFT	<input type="checkbox"/> YES	<input checked="" type="checkbox"/> NO

<input type="checkbox"/> 3 HOLES	<input checked="" type="checkbox"/> 1.0mm	<input type="checkbox"/> 3 HOLES	<input type="checkbox"/>
<input type="checkbox"/> 4 HOLES	<input checked="" type="checkbox"/> 1.1mm	<input checked="" type="checkbox"/> 4 HOLES	<input type="checkbox"/>
	<input checked="" type="checkbox"/> 1.2mm		<input checked="" type="checkbox"/>
OTHERS			

1.3	THICKNESS/mm	ANTI-ROLL BAR	THICKNESS/mm	1.2
-----	--------------	---------------	--------------	-----

	TIRES	
	INSERTS	
Liquid Gravity LGC	ADDITIVE	Liquid gravity LGC
	ADDITIVE TIMING	

FRONT LEFT	FRONT RIGHT	REAR LEFT	REAR RIGHT
TREATED AREA			

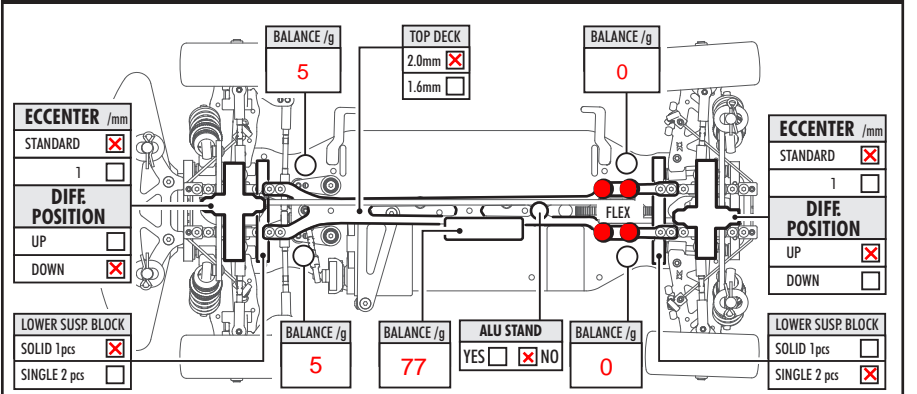
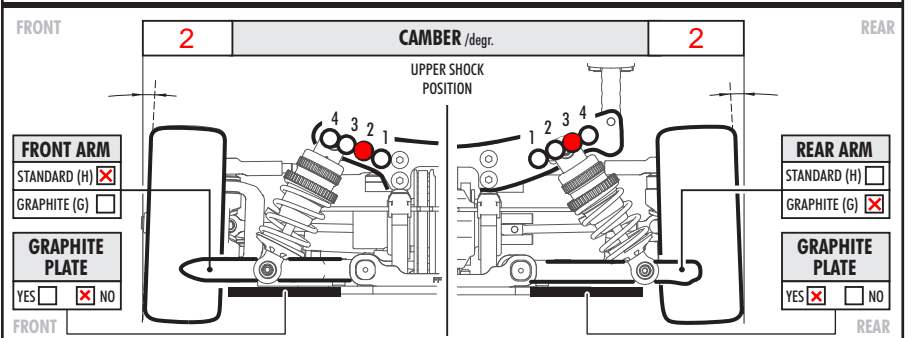
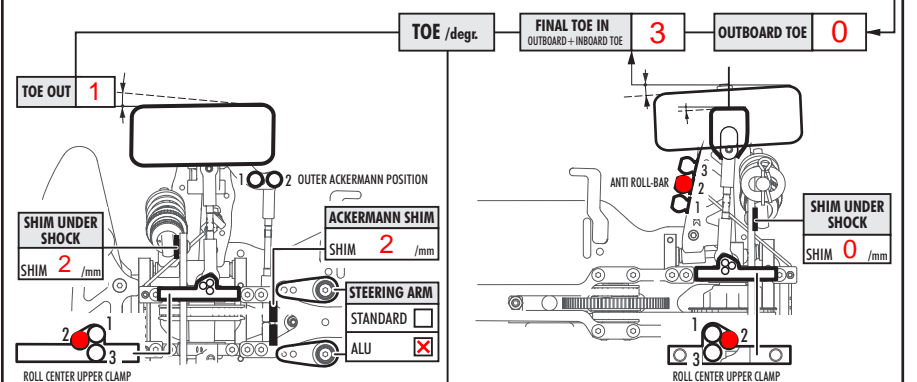
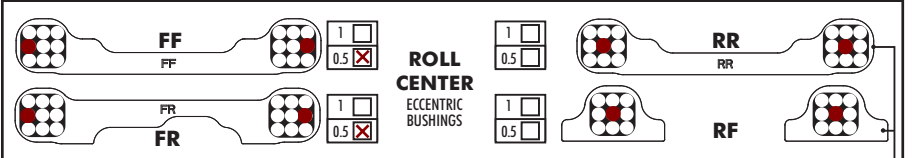
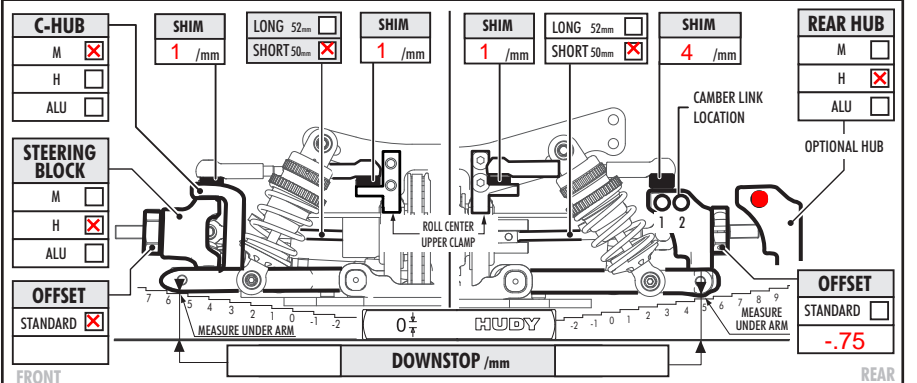
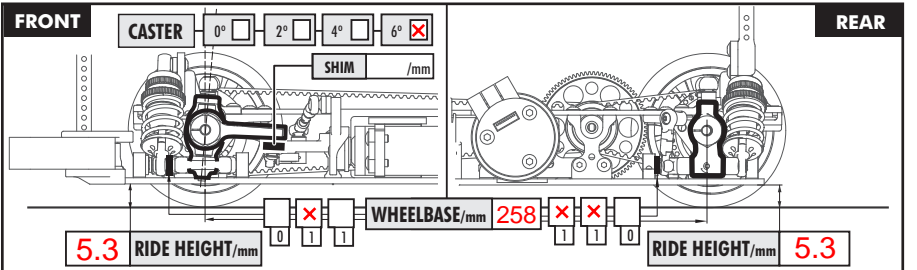
	WHEELS	
<input type="checkbox"/> S	<input type="checkbox"/> M	<input type="checkbox"/> H
	HARDNESS	<input type="checkbox"/> S
		<input type="checkbox"/> M
		<input type="checkbox"/> H

MOTOR	Thunderpower 4.5	TIMING	25
ROTOR	standard	ARMATURE	

ESC	Hobbywing v3.1	BATTERIES	
-----	----------------	-----------	--

BODY	Protoform speed6	WING	Protoform HD
------	------------------	------	--------------

<input checked="" type="checkbox"/> - APPLIED	S-SOFT	M-MEDIUM	H-HARD
---	--------	----------	--------



COMMENTS
2.5mms drop above ride height.