

SET-UP SHEET

XRAY T4/T4

RACE	brca rd 5		
TRACK	mendip raceway		
NAME	Olly Jefferies		
CITY / COUNTRY	gloucester	UK	
CONTACT			

DATE	13/08/2014	TEMPERATURE / °F or °C	AIR	20	TRACK	33
------	------------	------------------------	-----	----	-------	----

QUALIFYING POSITION	BEST LAPTIME /sec	FINAL POSITION	RACE LENGTH /minutes
1	16.6	1	5

TRACK CONDITION	<input type="checkbox"/> CARPET	<input checked="" type="checkbox"/> ASPHALT	
<input type="checkbox"/> TECHNICAL	<input checked="" type="checkbox"/> MIXED	<input type="checkbox"/> FAST	
TRACTION	<input checked="" type="checkbox"/> LOW	<input type="checkbox"/> MEDIUM	<input type="checkbox"/> HIGH

FRONT	REAR
TRANSMISSION	

SOLID AXLE	<input checked="" type="checkbox"/> YES	BALL DIFFERENTIAL	<input type="checkbox"/> YES
SOLID ONE WAY DIFF.	<input type="checkbox"/> YES		
ONE WAY DIFFERENTIAL	<input type="checkbox"/> YES		

GEAR DIFFERENTIAL	<input type="checkbox"/> YES	GEAR DIFFERENTIAL	<input checked="" type="checkbox"/> YES
OIL		OIL	3k /Cst

PINION / T	21	SPUR GEAR / T	84
FINAL DRIVE RATIO	4	ROLLOUT	NaN

FRONT	REAR
-------	------

2.5/2.8	XRAY SPRINGS	2.5/2.8
---------	--------------	---------

400	OIL / CST	400
	LENGTH /mm	
	PRELOAD /mm	

25%	REBOUND %	25%
-----	-----------	-----

<input checked="" type="checkbox"/> YES	<input type="checkbox"/> NO	FOAM INSERTS	<input checked="" type="checkbox"/> YES	<input type="checkbox"/> NO
<input type="checkbox"/> YES	<input checked="" type="checkbox"/> NO	O-RING ON SHAFT	<input type="checkbox"/> YES	<input checked="" type="checkbox"/> NO

<input type="checkbox"/> 3 HOLES	<input checked="" type="checkbox"/> 4 HOLES	PISTONS	1.0mm	<input type="checkbox"/> 3 HOLES	<input checked="" type="checkbox"/> 4 HOLES
			1.1mm		
			1.2mm		
OTHERS					

1.4	THICKNESS/mm	ANTI-ROLL BAR	THICKNESS/mm	1.3
-----	--------------	---------------	--------------	-----

sorex 32 brca	TIRES	sorex 32 brca
	INSERTS	
	ADDITIVE	
mr33 10 mins	ADDITIVE TIMING	mr33 10 mins

FRONT LEFT	FRONT RIGHT	REAR LEFT	REAR RIGHT
TREATED AREA			

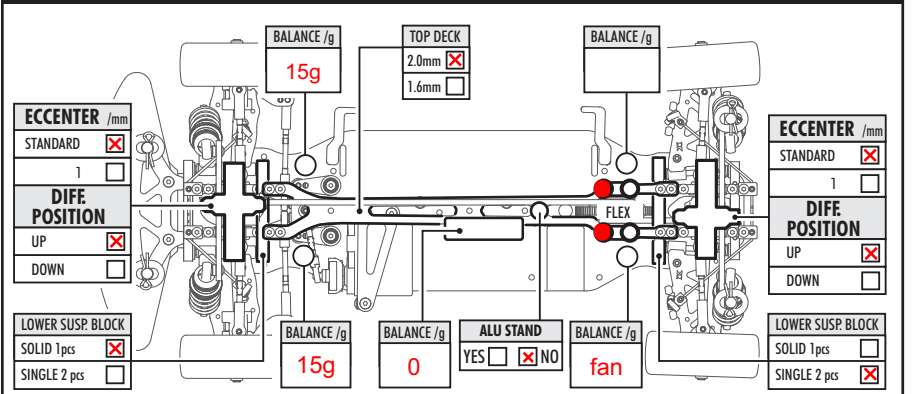
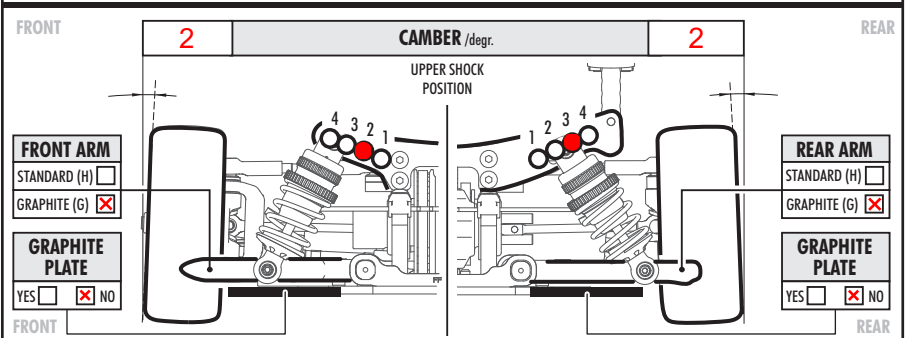
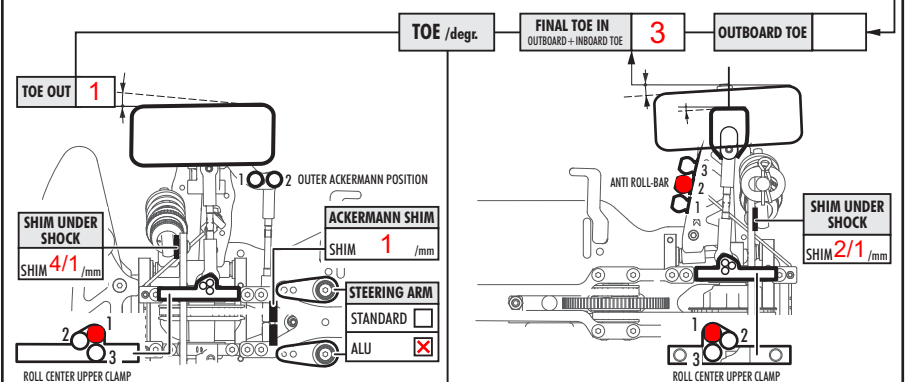
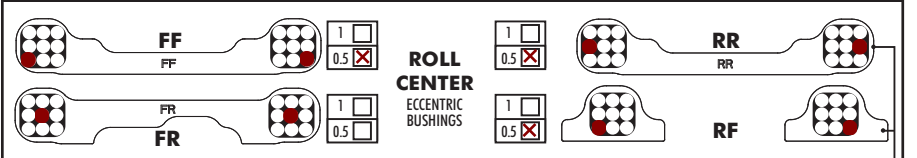
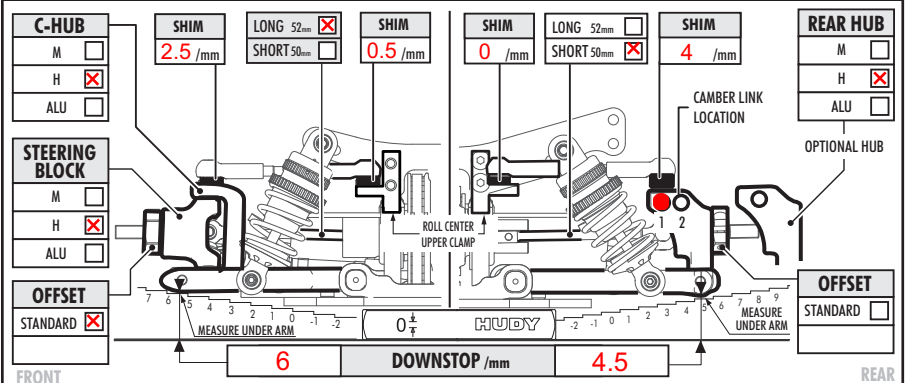
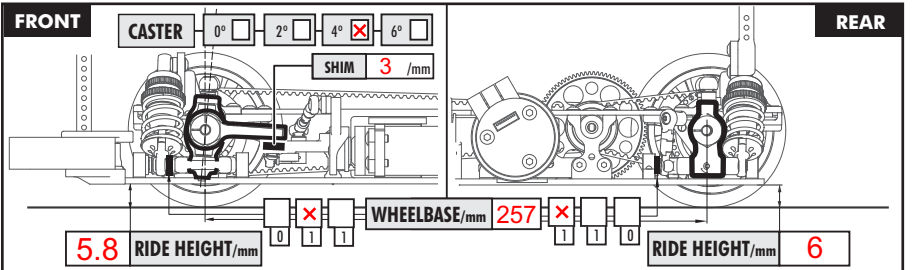
WHEELS		
S <input type="checkbox"/>	M <input checked="" type="checkbox"/>	H <input type="checkbox"/>
HARDNESS		
S <input type="checkbox"/>	M <input checked="" type="checkbox"/>	H <input type="checkbox"/>

MOTOR	reedy 4.5 mach 2	TIMING	20
ROTOR		ARMATURE	

ESC	lrp flow	BATTERIES	reedy
-----	----------	-----------	-------

BODY	pf ltrc lightweight	WING	pf
------	---------------------	------	----

<input checked="" type="checkbox"/> - APPLIED	S - SOFT	M - MEDIUM	H - HARD
---	----------	------------	----------



COMMENTS
Ecs front driveshafts
steering brace fitted