

SET-UP SHEET

XRAY T4'14

RACE	club race		
TRACK	gercc		
NAME	Olly Jefferies		
CITY / COUNTRY	gloucester	UK	
CONTACT	ollyrcracer@yahoo.com		

DATE	01/10/2014	TEMPERATURE / °F or °C	AIR	TRACK
------	------------	------------------------	-----	-------

QUALIFYING POSITION	BEST LAPTIME /sec	FINAL POSITION	RACE LENGTH /minutes
1		1	5

TRACK CONDITION	<input checked="" type="checkbox"/> TECHNICAL	<input checked="" type="checkbox"/> CARPET	<input type="checkbox"/> ASPHALT
	<input type="checkbox"/> MIXED	<input type="checkbox"/> FAST	
TRACTION	<input type="checkbox"/> LOW	<input checked="" type="checkbox"/> MEDIUM	<input type="checkbox"/> HIGH

FRONT	REAR
TRANSMISSION	

SOLID AXLE	<input checked="" type="checkbox"/> YES	BALL DIFFERENTIAL	<input type="checkbox"/> YES
SOLID ONE WAY DIFF.	<input type="checkbox"/> YES		
ONE WAY DIFFERENTIAL	<input type="checkbox"/> YES		

GEAR DIFFERENTIAL	<input type="checkbox"/> YES	GEAR DIFFERENTIAL	<input checked="" type="checkbox"/> YES
OIL		OIL	3k /Cst

PINION / T	21	SPUR GEAR / T	84
FINAL DRIVE RATIO	4	ROLLOUT	0

FRONT	REAR
-------	------

2.5	XRAY SPRINGS	2.5
-----	--------------	-----

350	OIL / CST	350
-----	-----------	-----

	LENGTH /mm	
--	------------	--

0	PRELOAD /mm	
---	-------------	--

	REBOUND %	0
--	-----------	---

<input type="checkbox"/> YES <input checked="" type="checkbox"/> NO	FOAM INSERTS	<input type="checkbox"/> YES <input checked="" type="checkbox"/> NO
<input type="checkbox"/> YES <input checked="" type="checkbox"/> NO	O-RING ON SHAFT	<input type="checkbox"/> YES <input checked="" type="checkbox"/> NO

<input type="checkbox"/> 3 HOLES	<input checked="" type="checkbox"/> 4 HOLES	PISTONS	<input type="checkbox"/> 3 HOLES	<input checked="" type="checkbox"/> 4 HOLES
		1.0mm		
		1.1mm		
		1.2mm		
OTHERS				

1.4	THICKNESS/mm	ANTI-ROLL BAR	THICKNESS/mm	1.2
-----	--------------	----------------------	--------------	-----

sorex 28	TIRES	sorex28
----------	--------------	---------

jb foam	INSERTS	jb foam
---------	---------	---------

lrp	ADDITIVE	lrp
-----	----------	-----

10 min	ADDITIVE TIMING	10 min
--------	-----------------	--------

FRONT LEFT	FRONT RIGHT	REAR LEFT	REAR RIGHT
TREATED AREA			

WHEELS	
S <input type="checkbox"/> M <input checked="" type="checkbox"/> H <input type="checkbox"/>	HARDNESS
S <input type="checkbox"/> M <input checked="" type="checkbox"/> H <input type="checkbox"/>	

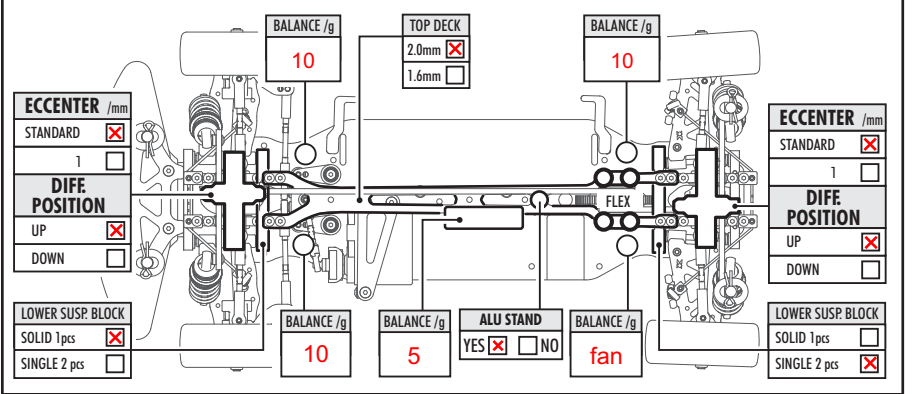
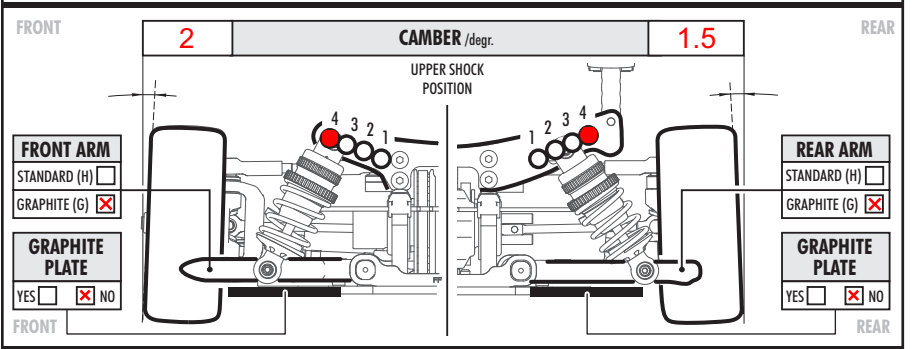
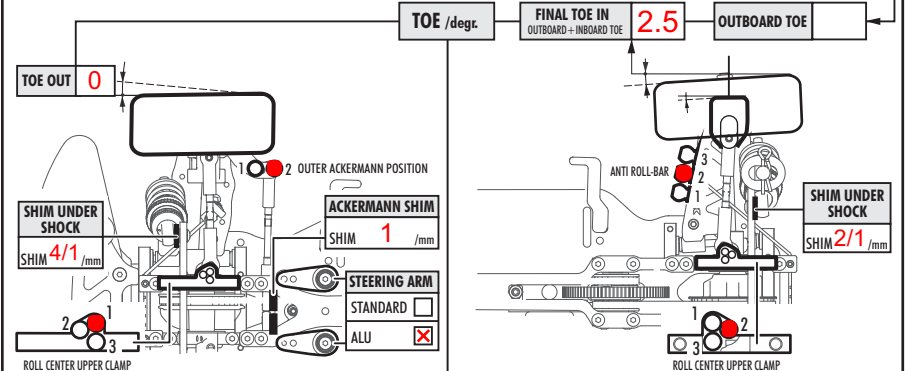
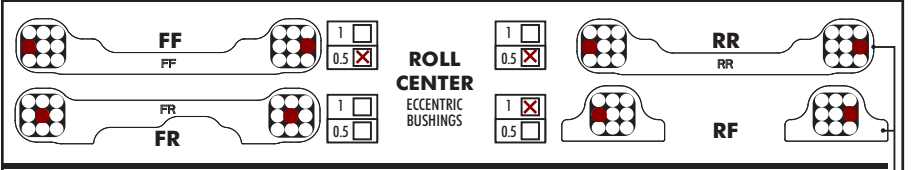
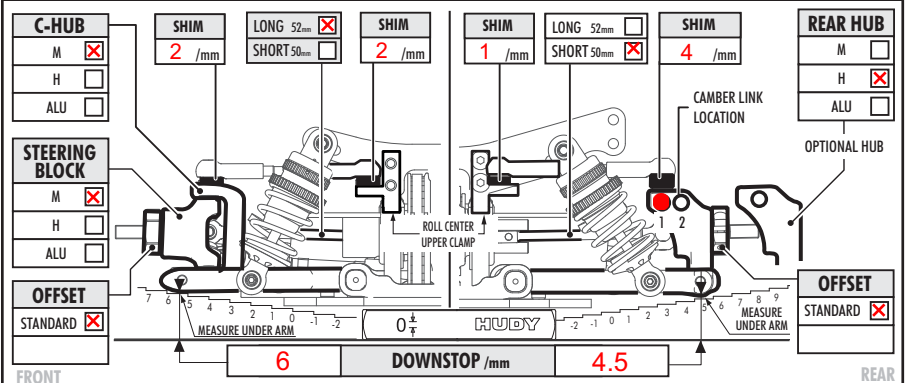
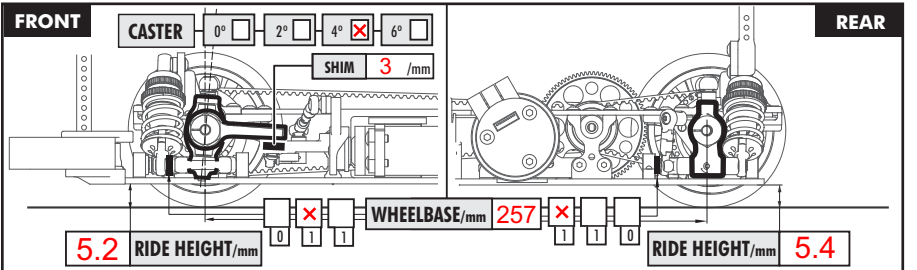
MOTOR	reedy sonic 13.5	TIMING	25 degrees
-------	------------------	--------	------------

ROTOR	std	ARMATURE	
-------	-----	----------	--

ESC	lrp flow	BATTERIES	reedy
-----	----------	-----------	-------

BODY	PF speed 6 light	WING	lightweight
------	------------------	------	-------------

<input checked="" type="checkbox"/> - APPLIED	S - SOFT	M - MEDIUM	H - HARD
---	----------	------------	----------



COMMENTS
ecs rear drive shafts