

SET-UP SHEET

XRAY T4'14

RACE	ETS rd.2 Germany		
TRACK	Muelheim-Kaerlich		
NAME	Anonymous		
CITY / COUNTRY	Kromeriz	Czech Republic	
CONTACT	marekcerny2@centrum.cz		

DATE	04/02/2014	TEMPERATURE / °F or °C	AIR	20	TRACK	20
------	------------	------------------------	-----	----	-------	----

QUALIFYING POSITION	BEST LAPTIME /sec	FINAL POSITION	RACE LENGTH /minutes
1	-	1	5

TRACK CONDITION	<input checked="" type="checkbox"/> CARPET	<input type="checkbox"/> ASPHALT	
	<input type="checkbox"/> TECHNICAL	<input checked="" type="checkbox"/> FAST	
TRACTION	<input type="checkbox"/> LOW	<input checked="" type="checkbox"/> MEDIUM	<input type="checkbox"/> HIGH

FRONT	REAR
TRANSMISSION	

SOLID AXLE	<input checked="" type="checkbox"/> YES	BALL DIFFERENTIAL	<input type="checkbox"/> YES
SOLID ONE WAY DIFF.	<input type="checkbox"/> YES		
ONE WAY DIFFERENTIAL	<input type="checkbox"/> YES		

GEAR DIFFERENTIAL	<input type="checkbox"/> YES	GEAR DIFFERENTIAL	<input checked="" type="checkbox"/> YES
OIL		OIL	5000 /Cst

PINION / T	38	SPUR GEAR / T	100
FINAL DRIVE RATIO	2.6315789473684	ROLLOUT	NaN

FRONT	REAR
-------	------

2,5-2,8	XRAY SPRINGS	2,6
350	OIL / CST	400
st	LENGTH /mm	st
	PRELOAD /mm	
0	REBOUND %	0

<input type="checkbox"/> YES <input checked="" type="checkbox"/> NO	FOAM INSERTS	<input type="checkbox"/> YES <input checked="" type="checkbox"/> NO
<input type="checkbox"/> YES <input checked="" type="checkbox"/> NO	O-RING ON SHAFT	<input type="checkbox"/> YES <input checked="" type="checkbox"/> NO

<input type="checkbox"/> 3 HOLES	<input checked="" type="checkbox"/> 4 HOLES	PISTONS	<input type="checkbox"/> 3 HOLES	<input checked="" type="checkbox"/> 4 HOLES
		1.0mm		
		1.1mm		
		1.2mm		
OTHERS				

1,4	THICKNESS/mm	ANTI-ROLL BAR	THICKNESS/mm	1,3
-----	--------------	---------------	--------------	-----

RIDE	TIRES	RIDE
	INSERTS	
ETS	ADDITIVE	ETS
10	ADDITIVE TIMING	20



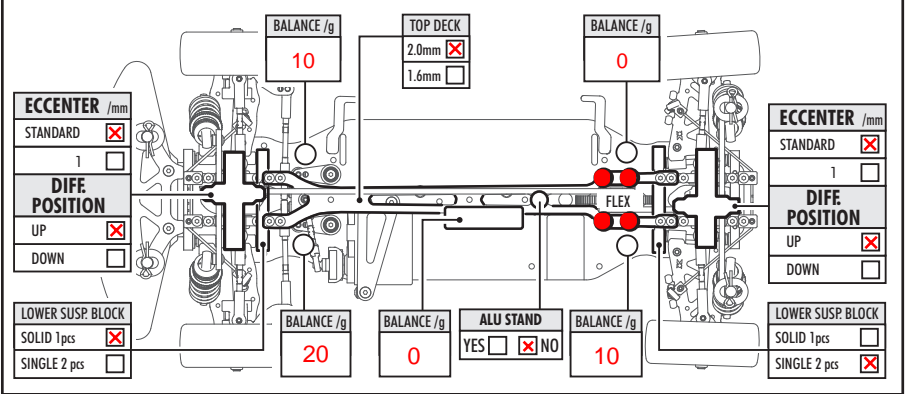
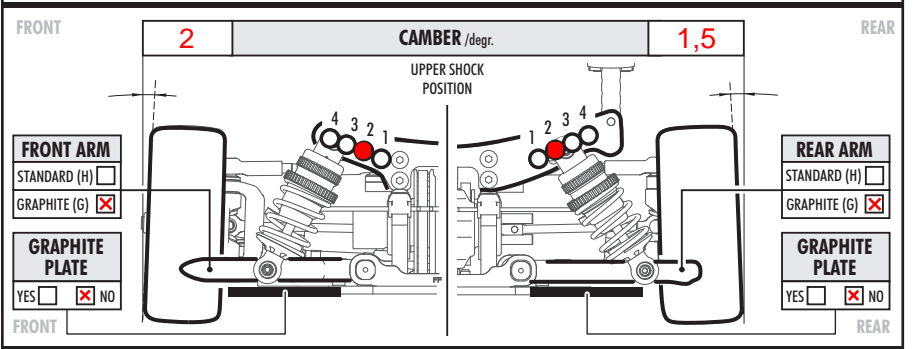
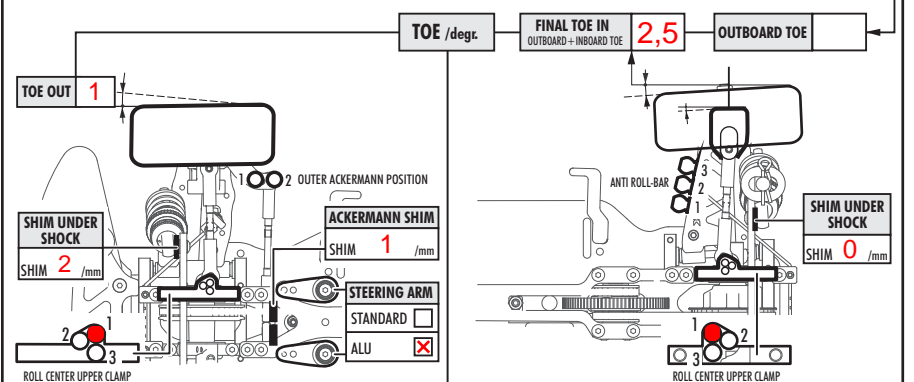
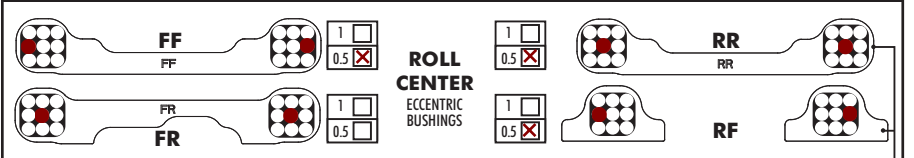
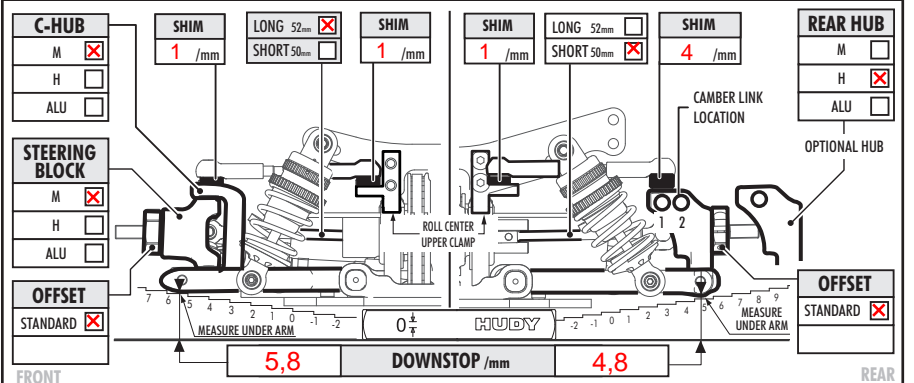
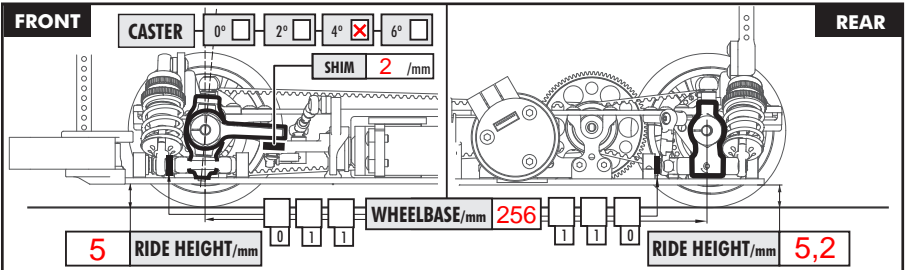
WHEELS						
S	M	H	HARDNESS			
<input type="checkbox"/>	<input type="checkbox"/>	<input type="checkbox"/>	S	M	H	<input type="checkbox"/>

MOTOR	Muchmoore	TIMING	
ROTOR		ARMATURE	

ESC	Muchmoore	BATTERIES	LRP
-----	-----------	-----------	-----

BODY	Mazda 6SP LW	WING	Yokomo
------	--------------	------	--------

● - APPLIED S-SOFT M-MEDIUM H-HARD



COMMENTS
ECS front, white belts