

# SET-UP SHEET

# XRAY T4'14

RACE	LRP TCM		
TRACK	Russelheim		
NAME	Anonymous		
CITY / COUNTRY	Krom??	Czech Republic	
CONTACT	marekcerny2@centrum.cz		

DATE	20/03/2014	TEMPERATURE / °F or °C	AIR	20	TRACK	20
------	------------	------------------------	-----	----	-------	----

QUALIFYING POSITION	BEST LAPTIME /sec	FINAL POSITION	RACE LENGTH /minutes
1	-	1	5-6

TRACK CONDITION	<input checked="" type="checkbox"/> CARPET	<input type="checkbox"/> ASPHALT	
<input type="checkbox"/> TECHNICAL	<input checked="" type="checkbox"/> MIXED	<input type="checkbox"/> FAST	
TRACTION	<input type="checkbox"/> LOW	<input checked="" type="checkbox"/> MEDIUM	<input type="checkbox"/> HIGH

FRONT	REAR
TRANSMISSION	

SOLID AXLE	<input checked="" type="checkbox"/> YES	BALL DIFFERENTIAL	<input type="checkbox"/> YES
SOLID ONE WAY DIFF.	<input type="checkbox"/> YES		
ONE WAY DIFFERENTIAL	<input type="checkbox"/> YES		

GEAR DIFFERENTIAL	<input type="checkbox"/> YES	GEAR DIFFERENTIAL	<input checked="" type="checkbox"/> YES
OIL		OIL	3000 /Cst

PINION / T	36	SPUR GEAR / T	100
FINAL DRIVE RATIO	2.77777777777778	ROLLOUT	NaN

FRONT	REAR
-------	------

2,5	XRAY SPRINGS	2,5
350	OIL / CST	400
st	LENGTH /mm	st
st	PRELOAD /mm	st
0	REBOUND %	0

<input type="checkbox"/> YES <input checked="" type="checkbox"/> NO	FOAM INSERTS	<input type="checkbox"/> YES <input checked="" type="checkbox"/> NO
<input type="checkbox"/> YES <input checked="" type="checkbox"/> NO	O-RING ON SHAFT	<input type="checkbox"/> YES <input checked="" type="checkbox"/> NO

<input type="checkbox"/> 3 HOLES	<input checked="" type="checkbox"/> 4 HOLES	PISTONS	1.0mm	<input type="checkbox"/> 3 HOLES	<input checked="" type="checkbox"/> 4 HOLES
			1.1mm		
			1.2mm		
OTHERS					

1,4	THICKNESS/mm	ANTI-ROLL BAR	THICKNESS/mm	1,4
-----	--------------	---------------	--------------	-----

LRP CPX	TIRES	LRP CPX
LRP v2	INSERTS	LRP v2
30	ADDITIVE TIMING	30

FRONT LEFT	FRONT RIGHT	REAR LEFT	REAR RIGHT
TREATED AREA			

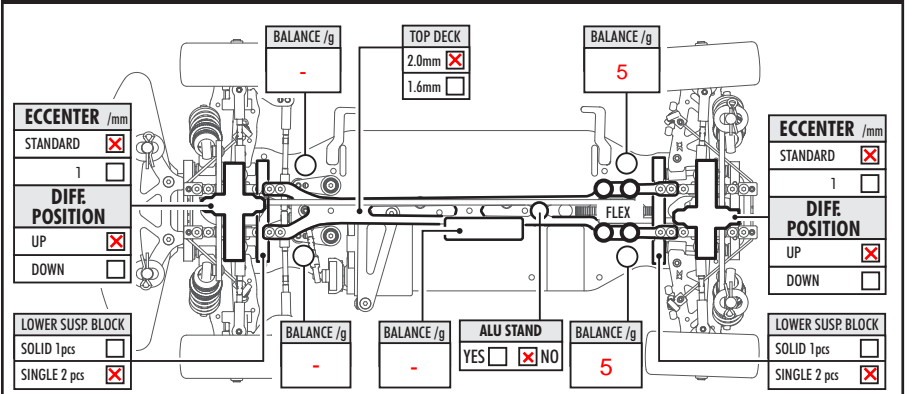
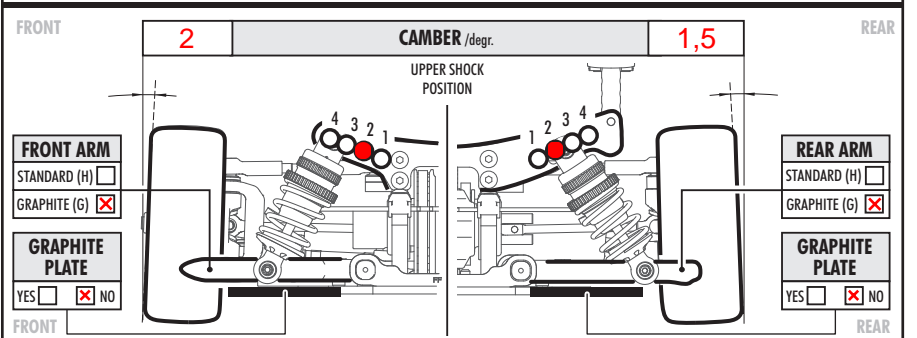
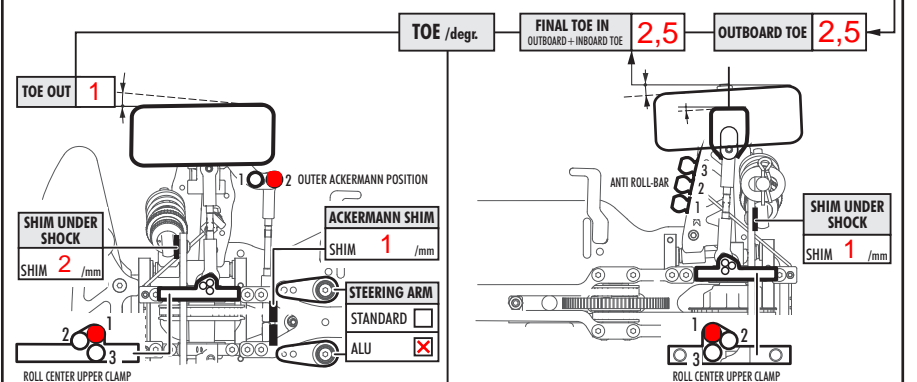
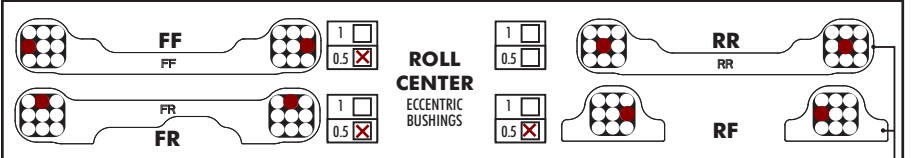
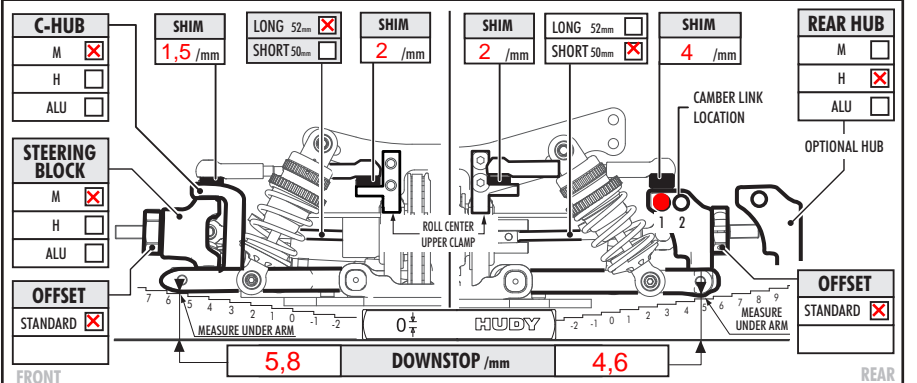
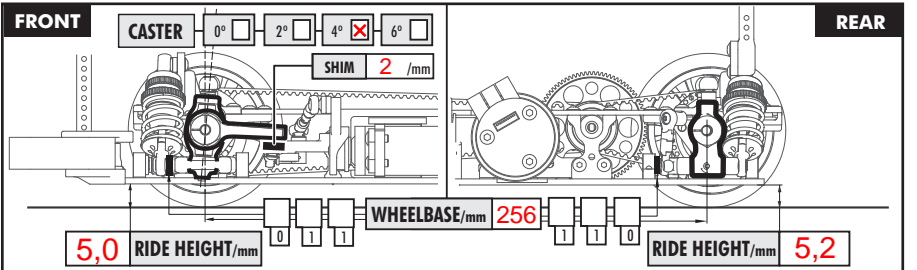
WHEELS			
S	M	H	
<input type="checkbox"/>	<input type="checkbox"/>	<input type="checkbox"/>	
HARDNESS			
S	M	H	
<input type="checkbox"/>	<input type="checkbox"/>	<input type="checkbox"/>	

MOTOR	LRP X20 10,5t	TIMING	-10
ROTOR	st	ARMATURE	

ESC	LRP FLOW	BATTERIES	LRP 6000 mAh
-----	----------	-----------	--------------

BODY	Montech Nazda 2	WING	MR33
------	-----------------	------	------

<input checked="" type="checkbox"/> - APPLIED	S - SOFT	M - MEDIUM	H - HARD
---	----------	------------	----------



COMMENTS  
**ALU CHASSIS, ECS FRONT, WHITE BELTS**