

SET-UP SHEET

XRAY T4'14

RACE	entrainment		
TRACK	RMCP outdoor		
NAME	february		
CITY / COUNTRY	Pierrelatte	France	
CONTACT			

DATE	17/02/2014	TEMPERATURE / °F or °C	AIR	TRACK
------	------------	------------------------	-----	-------

QUALIFYING POSITION	BEST LAPTIME /sec	FINAL POSITION	RACE LENGTH /minutes
	20"9		

TRACK CONDITION	<input type="checkbox"/> CARPET	<input checked="" type="checkbox"/> ASPHALT	
<input type="checkbox"/> TECHNICAL	<input type="checkbox"/> MIXED	<input checked="" type="checkbox"/> FAST	
TRACTION	<input checked="" type="checkbox"/> LOW	<input type="checkbox"/> MEDIUM	<input type="checkbox"/> HIGH

FRONT	REAR
TRANSMISSION	

SOLID AXLE	<input checked="" type="checkbox"/> YES	BALL DIFFERENTIAL	<input type="checkbox"/> YES
SOLID ONE WAY DIFF.	<input type="checkbox"/> YES		
ONE WAY DIFFERENTIAL	<input type="checkbox"/> YES		

GEAR DIFFERENTIAL	<input type="checkbox"/> YES	GEAR DIFFERENTIAL	<input checked="" type="checkbox"/> YES
OIL		OIL	MR33 "F" /Cst

PINION / T	40	SPUR GEAR / T	100
FINAL DRIVE RATIO	2.5	ROLLOUT	NaN

FRONT	REAR
-------	------

ARC vert	XRAY SPRINGS	ARC bleu
350	OIL / CST	350
	LENGTH /mm	
	PRELOAD /mm	
	REBOUND %	

<input type="checkbox"/> YES <input checked="" type="checkbox"/> NO	FOAM INSERTS	<input type="checkbox"/> YES <input checked="" type="checkbox"/> NO
<input type="checkbox"/> YES <input checked="" type="checkbox"/> NO	O-RING ON SHAFT	<input type="checkbox"/> YES <input checked="" type="checkbox"/> NO

<input type="checkbox"/> 3 HOLES	PISTONS	<input type="checkbox"/> 3 HOLES
<input checked="" type="checkbox"/> 4 HOLES	1.0mm	<input checked="" type="checkbox"/> 4 HOLES
	1.1mm	
	1.2mm	
	OTHERS	

1,4	THICKNESS/mm	ANTI-ROLL BAR	THICKNESS/mm	1,2
-----	--------------	---------------	--------------	-----

Pana FFVRC	TIRES	Pana FFVRC
	INSERTS	
	ADDITIVE	
	ADDITIVE TIMING	

FRONT LEFT	FRONT RIGHT	REAR LEFT	REAR RIGHT
TREATED AREA			

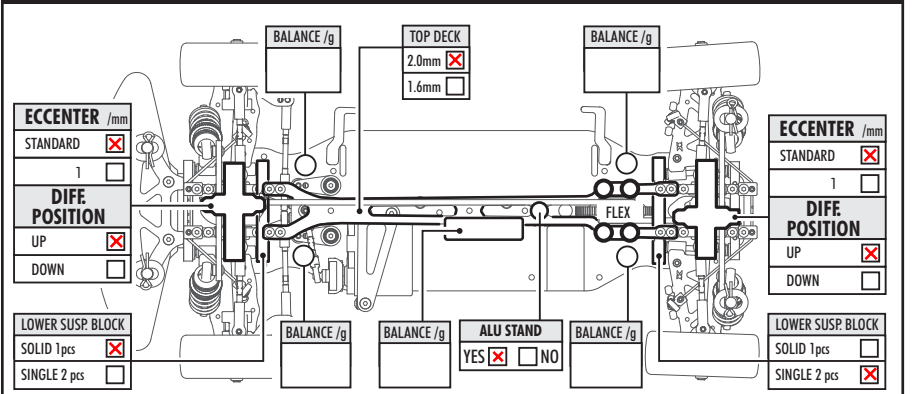
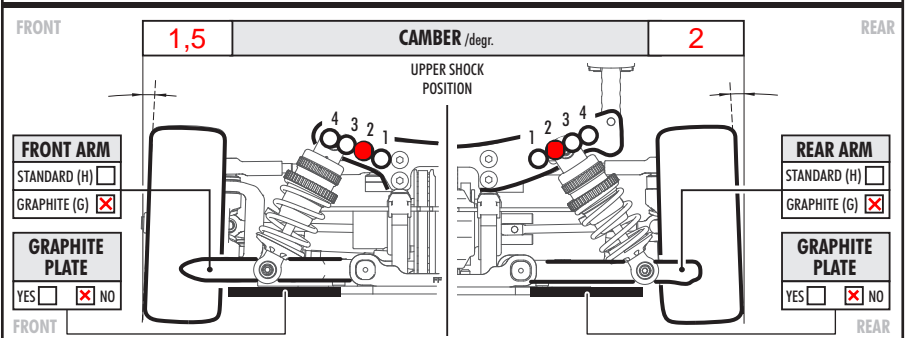
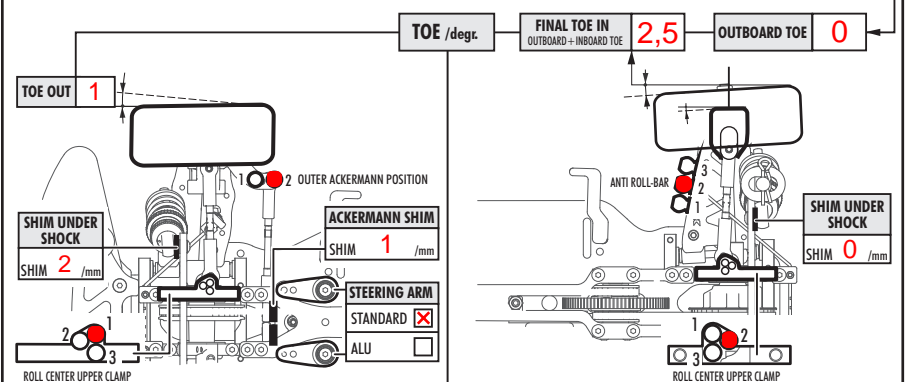
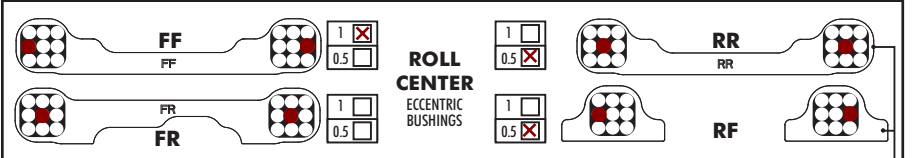
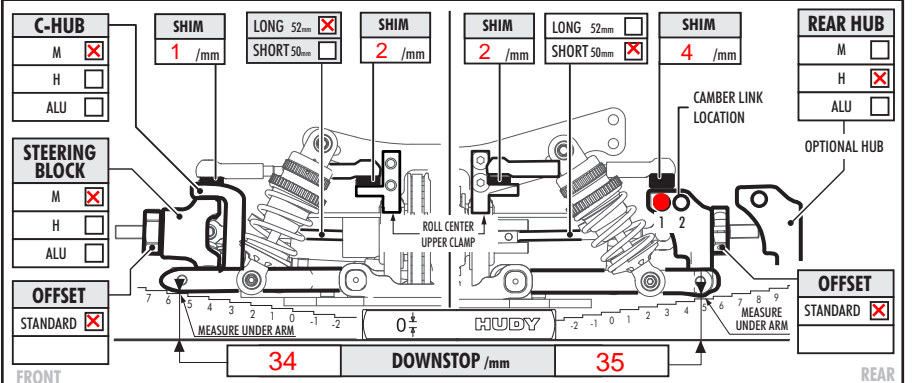
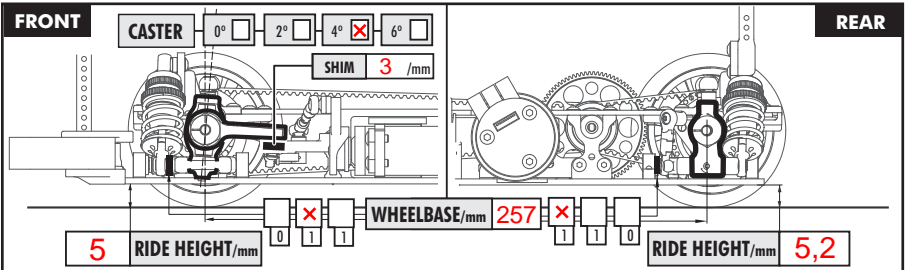
WHEELS	
S <input type="checkbox"/> M <input type="checkbox"/> H <input type="checkbox"/>	HARDNESS

MOTOR	MM 10.5	TIMING	45
ROTOR	stock	ARMATURE	

ESC	MM Fleta	BATTERIES	
-----	----------	-----------	--

BODY	Nardo	WING	std
------	-------	------	-----

● - APPLIED S-SOFT M-MEDIUM H-HARD



COMMENTS

VER. 6.0 © XRAY