

SET-UP SHEET

XRAY T4

RACE	Saskatoon WCICS Mod		
TRACK	SARCAR		
NAME	Danny Buck		
CITY / COUNTRY	Saskatoon	Canada	
CONTACT			

DATE	29/09/2014	TEMPERATURE / °F or °C	AIR	TRACK
------	------------	------------------------	-----	-------

QUALIFYING POSITION	BEST LAPTIME /sec	FINAL POSITION	RACE LENGTH /minutes
TQ	12.0	1	5

TRACK CONDITION	<input checked="" type="checkbox"/> CARPET	<input type="checkbox"/> ASPHALT	
	<input type="checkbox"/> TECHNICAL	<input type="checkbox"/> FAST	
TRACTION	<input type="checkbox"/> LOW	<input checked="" type="checkbox"/> MEDIUM	<input type="checkbox"/> HIGH

FRONT	REAR
TRANSMISSION	

SOLID AXLE	<input checked="" type="checkbox"/> YES	BALL DIFFERENTIAL	<input type="checkbox"/> YES
SOLID ONE WAY DIFF.	<input type="checkbox"/> YES		
ONE WAY DIFFERENTIAL	<input type="checkbox"/> YES		

GEAR DIFFERENTIAL	<input type="checkbox"/> YES	GEAR DIFFERENTIAL	<input checked="" type="checkbox"/> YES
OIL		OIL	2k /cst

PINION / T	24	SPUR GEAR / T	114
FINAL DRIVE RATIO	4.75	ROLLOUT	NaN

FRONT	REAR	
2.5	XRAY SPRINGS	2.5
400	OIL / CST	350
	LENGTH /mm	
	PRELOAD /mm	
	REBOUND %	

<input type="checkbox"/> YES	<input checked="" type="checkbox"/> NO	FOAM INSERTS	<input type="checkbox"/> YES	<input checked="" type="checkbox"/> NO
<input type="checkbox"/> YES	<input checked="" type="checkbox"/> NO	O-RING ON SHAFT	<input type="checkbox"/> YES	<input checked="" type="checkbox"/> NO

<input type="checkbox"/> 3 HOLES	<input checked="" type="checkbox"/> 4 HOLES	PISTONS	1.0mm	<input type="checkbox"/> 3 HOLES	<input checked="" type="checkbox"/> 4 HOLES
			1.1mm		
			1.2mm		
RSD Delrin		OTHERS		RSD Delrin	

1.4	THICKNESS/mm	ANTI-ROLL BAR	THICKNESS/mm	1.2
-----	--------------	---------------	--------------	-----

Sweep 32EXP	TIRES	Sweep 32EXP
SXT 3.0	INSERTS	SXT3.0
10 min	ADDITIVE	10 min
	ADDITIVE TIMING	



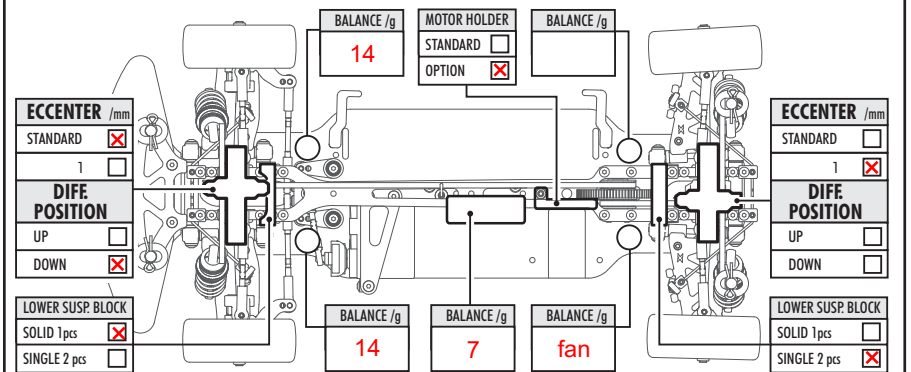
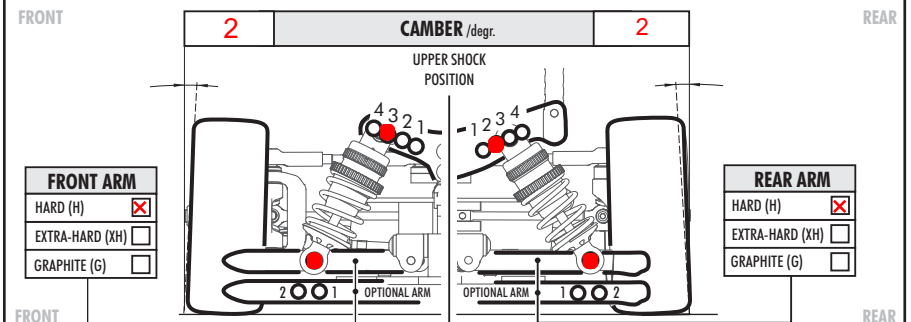
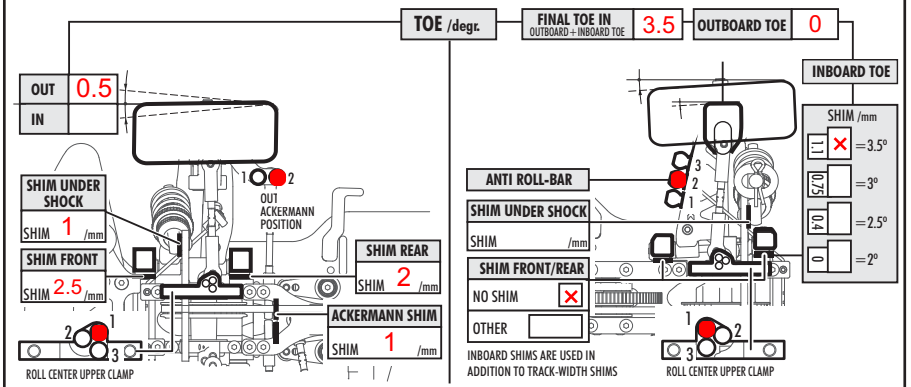
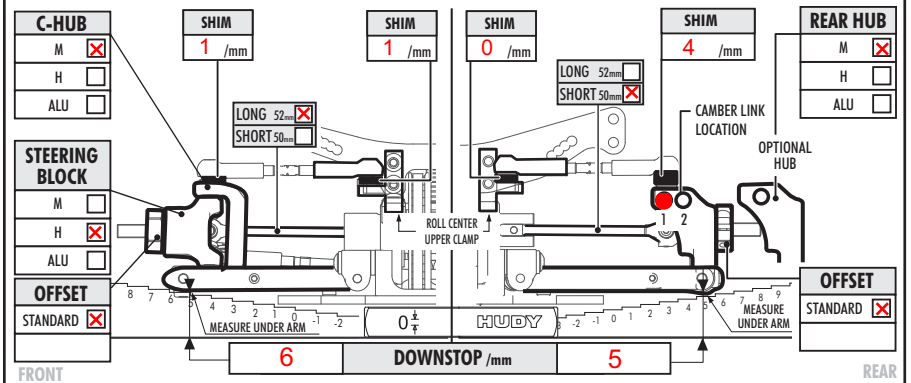
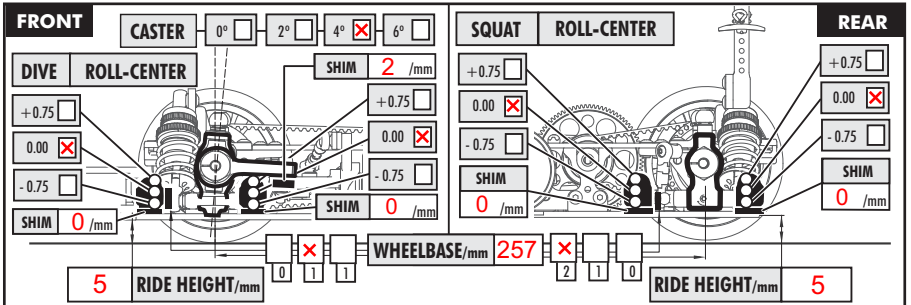
Sweep	WHEELS	Sweep
S <input type="checkbox"/> M <input checked="" type="checkbox"/> H <input type="checkbox"/>	HARDNESS	S <input type="checkbox"/> M <input checked="" type="checkbox"/> H <input type="checkbox"/>

MOTOR	ORCA 5.0	TIMING	20
ROTOR		ARMATURE	

ESC	ORCA VXX	BATTERIES	ORCA 7500
-----	----------	-----------	-----------

BODY	Speed 6 LW	WING	
------	------------	------	--

● - APPLIED S-SOFT M-MEDIUM H-HARD



COMMENTS