

SET-UP SHEET

XRAY T4'14

RACE	TITC 2014		
TRACK	Huge RC Bangkok		
NAME	Anonymous		
CITY / COUNTRY	Bangkok	Thailand	
CONTACT	ant_cc3@hotmail.com		

DATE	23/02/2014	TEMPERATURE / °F or °C	AIR	30	TRACK	40
------	------------	------------------------	-----	----	-------	----

QUALIFYING POSITION	BEST LAPTIME /sec	FINAL POSITION	RACE LENGTH /minutes
13	14.3	13	5

TRACK CONDITION	<input type="checkbox"/> CARPET	<input checked="" type="checkbox"/> ASPHALT
<input type="checkbox"/> TECHNICAL	<input type="checkbox"/> MIXED	<input checked="" type="checkbox"/> FAST

TRACTION	<input type="checkbox"/> LOW	<input type="checkbox"/> MEDIUM	<input checked="" type="checkbox"/> HIGH
----------	------------------------------	---------------------------------	--

FRONT	REAR
TRANSMISSION	

SOLID AXLE	<input checked="" type="checkbox"/> YES	BALL DIFFERENTIAL	<input type="checkbox"/> YES
SOLID ONE WAY DIFF.	<input type="checkbox"/> YES		
ONE WAY DIFFERENTIAL	<input type="checkbox"/> YES		

GEAR DIFFERENTIAL	<input type="checkbox"/> YES	GEAR DIFFERENTIAL	<input checked="" type="checkbox"/> YES
OIL		OIL	15000 /Cst

PINION / T	27	SPUR GEAR / T	112
FINAL DRIVE RATIO	4.1481481481481	ROLLOUT	NaN

FRONT	REAR
-------	------

2.7	XRAY SPRINGS	2.7
-----	--------------	-----

600	OIL / CST	700
-----	-----------	-----

9.15mm	LENGTH /mm	9.15mm
--------	------------	--------

	PRELOAD /mm	
--	-------------	--

0	REBOUND %	0
---	-----------	---

<input type="checkbox"/> YES <input checked="" type="checkbox"/> NO	FOAM INSERTS	<input type="checkbox"/> YES <input checked="" type="checkbox"/> NO
<input type="checkbox"/> YES <input checked="" type="checkbox"/> NO	O-RING ON SHAFT	<input type="checkbox"/> YES <input checked="" type="checkbox"/> NO

<input type="checkbox"/> 3 HOLES	PISTONS	<input type="checkbox"/> 3 HOLES
<input type="checkbox"/> 4 HOLES	1.0mm	<input type="checkbox"/> 4 HOLES
	1.1mm	
	1.2mm	
6 hole	OTHERS	6 hole

1.3	THICKNESS/mm	ANTI-ROLL BAR	THICKNESS/mm	1.2
-----	--------------	---------------	--------------	-----

Ride XR34	TIRES	Ride XR34
-----------	-------	-----------

	INSERTS	
--	---------	--

LRP CP2	ADDITIVE	LRP CP2
---------	----------	---------

5 min	ADDITIVE TIMING	5 min
-------	-----------------	-------

FRONT LEFT	FRONT RIGHT	REAR LEFT	REAR RIGHT
TREATED AREA			

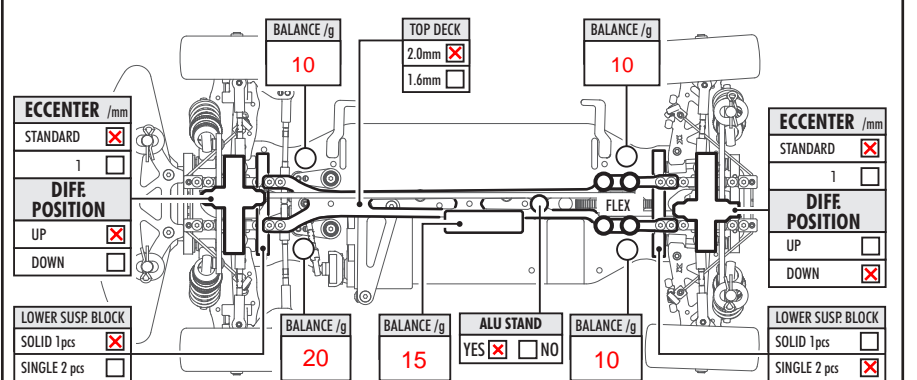
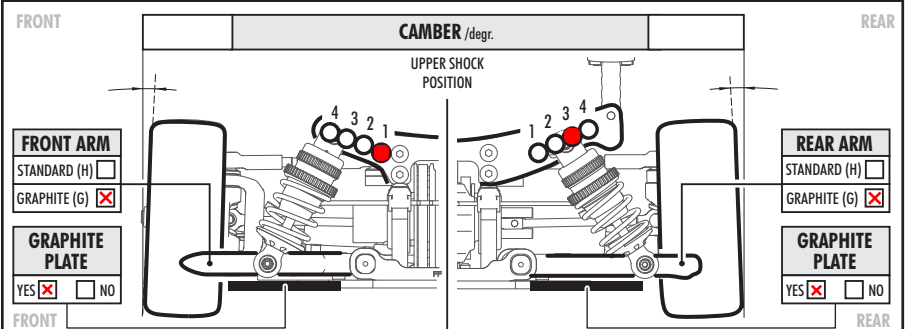
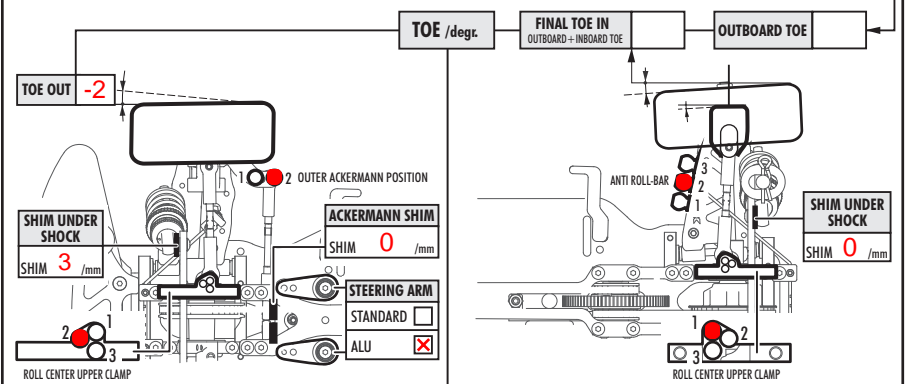
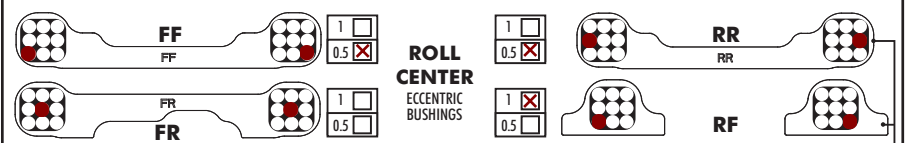
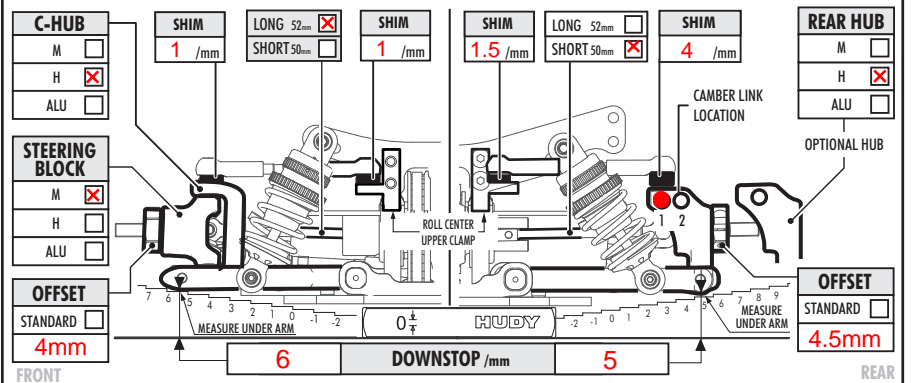
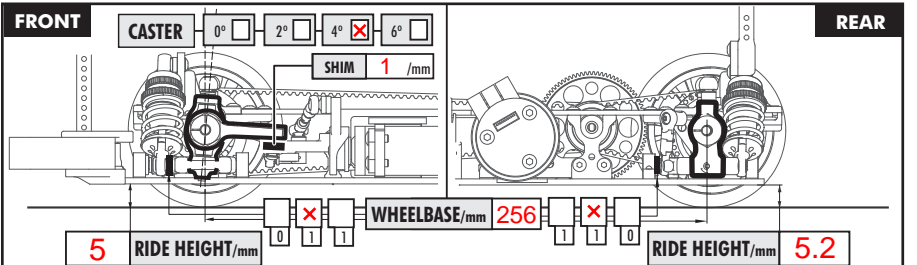
WHEELS			
<input type="checkbox"/> S	<input type="checkbox"/> M	<input checked="" type="checkbox"/> H	
HARDNESS			
<input type="checkbox"/> S	<input type="checkbox"/> M	<input type="checkbox"/> H	<input checked="" type="checkbox"/>

MOTOR	Hobbywing 4.5	TIMING	30d
ROTOR	std	ARMATURE	

ESC	Hobbywing 3.1	BATTERIES	MooreSpeed 6200
-----	---------------	-----------	-----------------

BODY	LTC-R LW	WING	Roche
------	----------	------	-------

<input checked="" type="checkbox"/> - APPLIED	S-SOFT	M-MEDIUM	H-HARD
---	--------	----------	--------



COMMENTS
Only top 2 screws used on shock tower ff + rr