

SET-UP SHEET

XRAY T4'14

RACE	TITC 2014		
TRACK	Huge RC Track		
NAME	Anonymous		
CITY / COUNTRY	Bangkok	Thailand	
CONTACT	teamame@icloud.com		

DATE	24/02/2014	TEMPERATURE / °F or °C	AIR	35	TRACK	30
------	------------	------------------------	-----	----	-------	----

QUALIFYING POSITION	BEST LAPTIME /sec	FINAL POSITION	RACE LENGTH /minutes
5	14,477	2	5

TRACK CONDITION	<input type="checkbox"/> CARPET	<input checked="" type="checkbox"/> ASPHALT	
<input type="checkbox"/> TECHNICAL	<input checked="" type="checkbox"/> MIXED	<input type="checkbox"/> FAST	
TRACTION	<input type="checkbox"/> LOW	<input type="checkbox"/> MEDIUM	<input checked="" type="checkbox"/> HIGH

FRONT	REAR
TRANSMISSION	

SOLID AXLE	<input checked="" type="checkbox"/> YES	BALL DIFFERENTIAL	<input type="checkbox"/> YES
SOLID ONE WAY DIFF.	<input type="checkbox"/> YES		
ONE WAY DIFFERENTIAL	<input type="checkbox"/> YES		

GEAR DIFFERENTIAL	<input type="checkbox"/> YES	GEAR DIFFERENTIAL	<input checked="" type="checkbox"/> YES
OIL		OIL	20.000 /Cst

PINION / T	33	SPUR GEAR / T	100
FINAL DRIVE RATIO	3.030303030303	ROLLOUT	NaN

FRONT	REAR
-------	------

T-Shox Green	XRAY SPRINGS	T-Shox Green
700	OIL / CST	550
std	LENGTH /mm	std
	PRELOAD /mm	
Zero	REBOUND %	Zero

<input type="checkbox"/> YES <input type="checkbox"/> NO	FOAM INSERTS	<input type="checkbox"/> YES <input type="checkbox"/> NO
<input type="checkbox"/> YES <input type="checkbox"/> NO	O-RING ON SHAFT	<input type="checkbox"/> YES <input type="checkbox"/> NO

<input type="checkbox"/> 3 HOLES	PISTONS	<input type="checkbox"/> 3 HOLES
<input type="checkbox"/> 4 HOLES	1.0mm	<input type="checkbox"/> 4 HOLES
	1.1mm	
	1.2mm	
T-Shox Proto	OTHERS	T-Shox Proto

1.4	THICKNESS/mm	ANTI-ROLL BAR	THICKNESS/mm	1.3
-----	--------------	---------------	--------------	-----

Ride Rex34	TIRES	Ride Rex34
	INSERTS	
MG V3 Yellow	ADDITIVE	MG V3 Yellow
15min	ADDITIVE TIMING	15min

FRONT LEFT	FRONT RIGHT	REAR LEFT	REAR RIGHT
TREATED AREA			

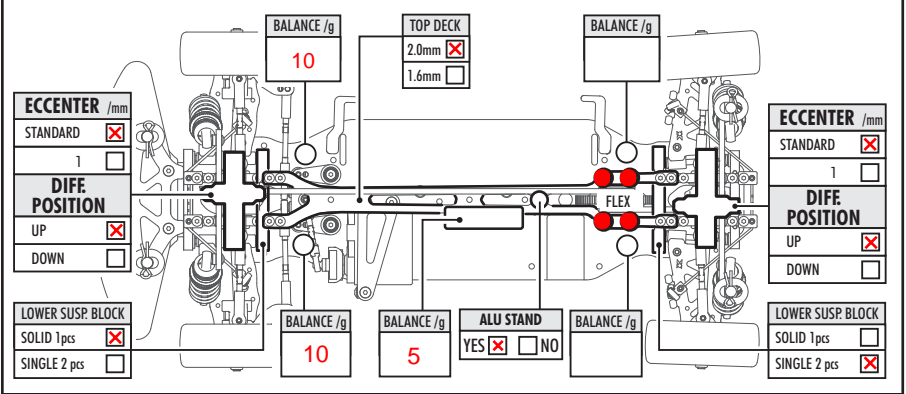
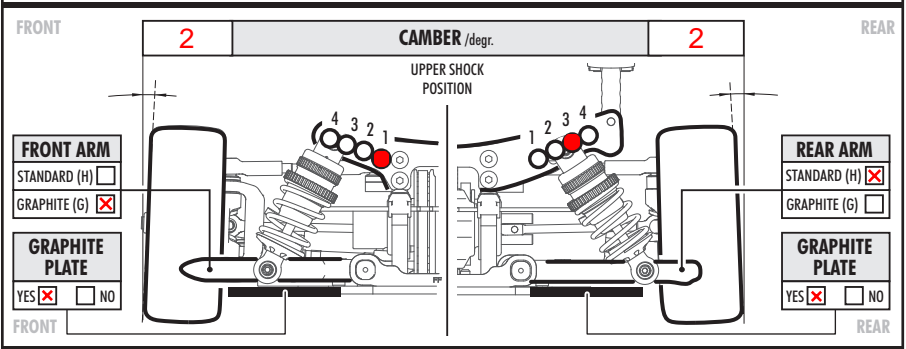
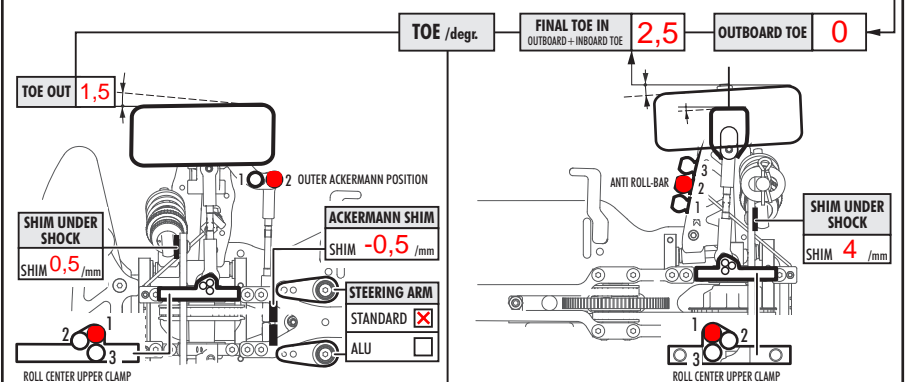
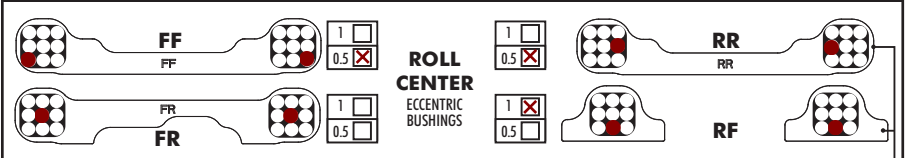
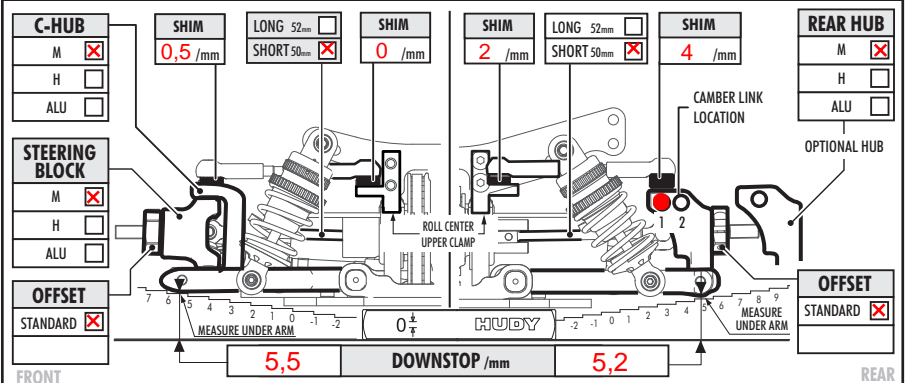
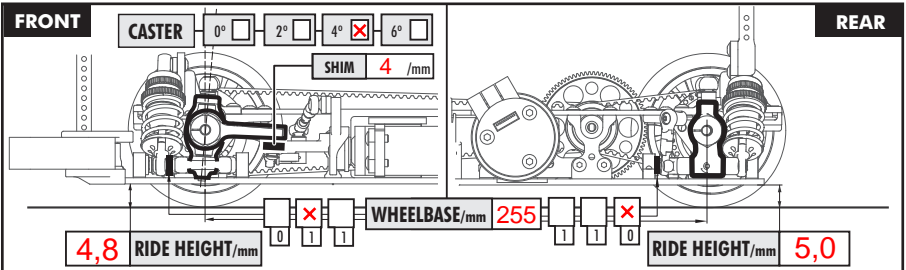
WHEELS	
S <input type="checkbox"/> M <input type="checkbox"/> H <input type="checkbox"/>	HARDNESS

MOTOR	ORCA 13.5 TI	TIMING	Fixed
ROTOR	Handout	ARMATURE	Handout

ESC	ORCA VXX	BATTERIES	ORCA 7500 90C
-----	----------	-----------	---------------

BODY	PF LTC-R	WING	PF Hard
------	----------	------	---------

- APPLIED S-SOFT M-MEDIUM H-HARD



COMMENTS
T-Shox V2 Prototype Shox used.
Steering lock, using big shim between steering arms (7mm diameter)
15 gram weight in front of the Spool.
Boost used - 93kmh top speed

Probably the best car I have driven in 10 years.