

SET-UP SHEET

XRAY T4'14

RACE	ETS Rd4 Austria		
TRACK	Matsee		
NAME	Anonymous		
CITY / COUNTRY	Stuttgart	Germany	
CONTACT			

DATE	11/05/2014	TEMPERATURE / °F or °C	AIR	15	TRACK	15
------	------------	------------------------	-----	----	-------	----

QUALIFYING POSITION	BEST LAPTIME /sec	FINAL POSITION	RACE LENGTH /minutes
6	14.0	10	5

TRACK CONDITION	<input type="checkbox"/> CARPET	<input checked="" type="checkbox"/> ASPHALT	
<input checked="" type="checkbox"/> TECHNICAL	<input type="checkbox"/> MIXED	<input type="checkbox"/> FAST	
TRACTION	<input type="checkbox"/> LOW	<input checked="" type="checkbox"/> MEDIUM	<input type="checkbox"/> HIGH

FRONT	REAR
TRANSMISSION	

SOLID AXLE	<input checked="" type="checkbox"/> YES	BALL DIFFERENTIAL	<input type="checkbox"/> YES
SOLID ONE WAY DIFF.	<input type="checkbox"/> YES		
ONE WAY DIFFERENTIAL	<input type="checkbox"/> YES		

GEAR DIFFERENTIAL	<input type="checkbox"/> YES	GEAR DIFFERENTIAL	<input checked="" type="checkbox"/> YES
OIL		OIL	1.500 /Cst

PINION / T	38	SPUR GEAR / T	100
FINAL DRIVE RATIO	2.6315789473684	ROLLOUT	NaN

FRONT	REAR
-------	------

T-Shox Green	XRAY SPRINGS	T-Shox Green
--------------	--------------	--------------

700	OIL / CST	450
	LENGTH /mm	
	PRELOAD /mm	
25%	REBOUND %	0%

<input checked="" type="checkbox"/> YES	<input type="checkbox"/> NO	FOAM INSERTS	<input checked="" type="checkbox"/> YES	<input type="checkbox"/> NO
<input type="checkbox"/> YES	<input checked="" type="checkbox"/> NO	O-RING ON SHAFT	<input type="checkbox"/> YES	<input checked="" type="checkbox"/> NO

<input checked="" type="checkbox"/> 3 HOLES	<input type="checkbox"/> 4 HOLES	PISTONS	<input type="checkbox"/> 3 HOLES	<input checked="" type="checkbox"/> 4 HOLES
		1.0mm		
		1.1mm		
		1.2mm		
OTHERS				

1.4	THICKNESS/mm	ANTI-ROLL BAR	THICKNESS/mm	1.3
-----	--------------	---------------	--------------	-----

Ride Handout	TIRES	Ride Handout
	INSERTS	
LRP 2 Handout	ADDITIVE	LRP 2 Handout
25min	ADDITIVE TIMING	25min

FRONT LEFT	FRONT RIGHT	REAR LEFT	REAR RIGHT
TREATED AREA			

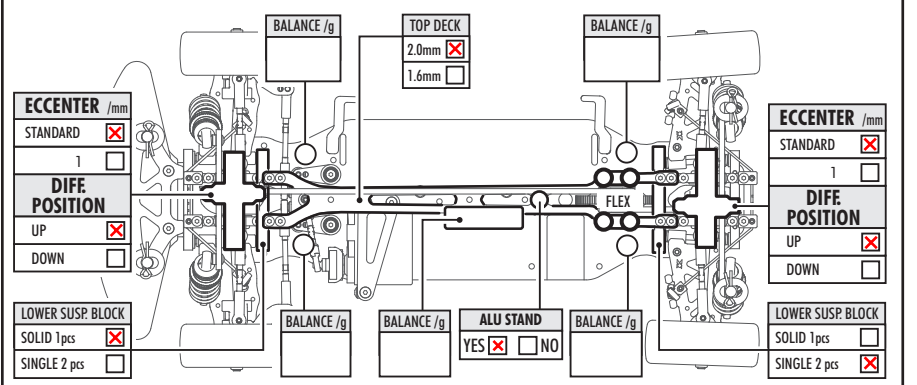
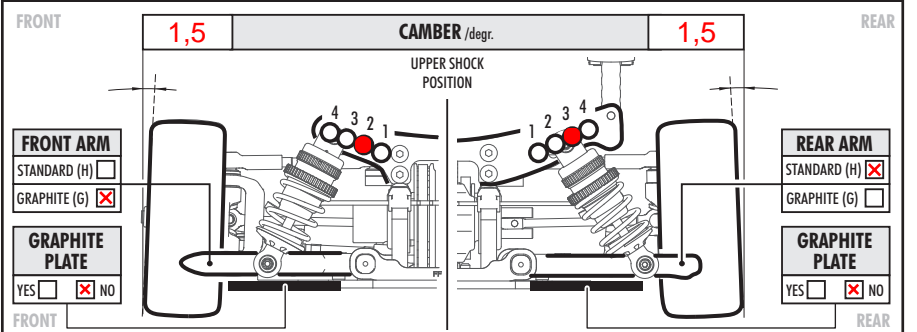
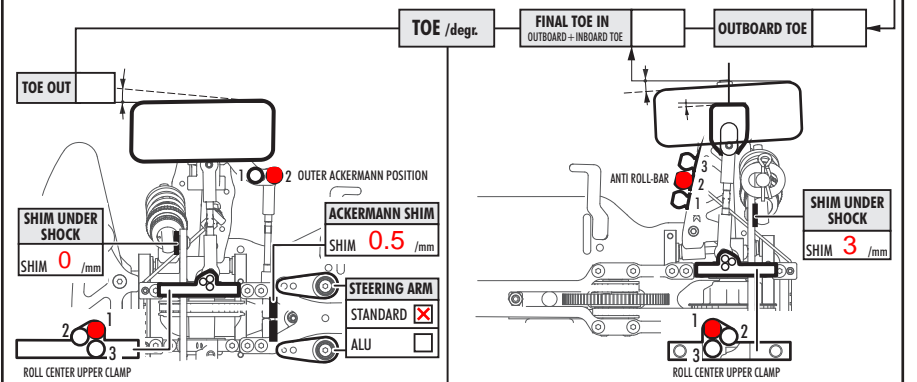
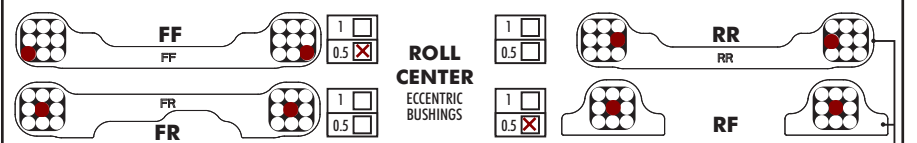
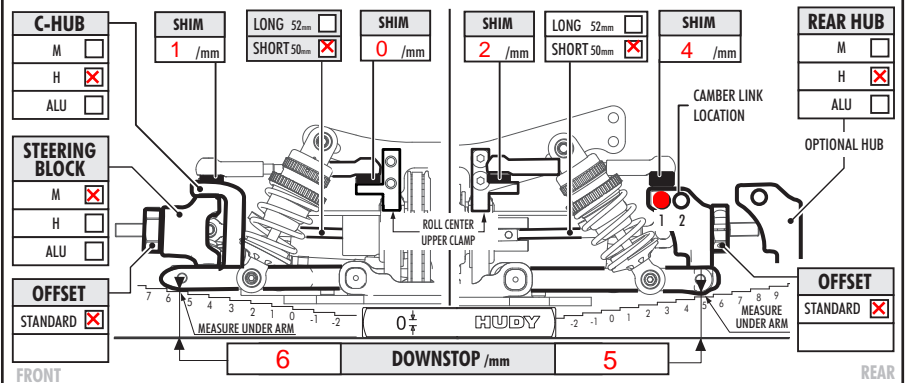
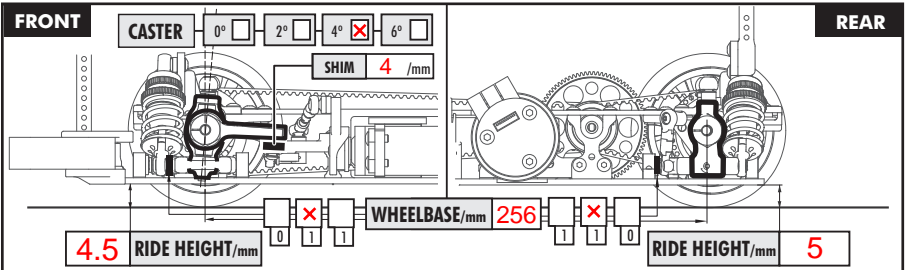
WHEELS			
<input type="checkbox"/> S	<input type="checkbox"/> M	<input type="checkbox"/> H	
HARDNESS			
<input type="checkbox"/> S	<input type="checkbox"/> M	<input type="checkbox"/> H	<input type="checkbox"/>

MOTOR	TIMING
ROTOR	ARMATURE

ESC	BATTERIES	ORCA
-----	-----------	------

BODY	PF LTC-R	WING	MR33
------	----------	------	------

● - APPLIED S - SOFT M - MEDIUM H - HARD



COMMENTS
Car was fast, but I screwed up and crashed. Top 3 would definitely been possible