

SET-UP SHEET

XRAY T4'14

RACE	ETS Final 2014		
TRACK	Hudy Racing Arena Outdoor		
NAME	Anonymous		
CITY / COUNTRY	Trencin	Slovakia	
CONTACT	alexander.hagberg@gmail.com		

DATE	07/07/2014	TEMPERATURE / °F or °C	AIR	30	TRACK	50
------	------------	------------------------	-----	----	-------	----

QUALIFYING POSITION	BEST LAPTIME /sec	FINAL POSITION	RACE LENGTH /minutes
4	17.9	5	5

TRACK CONDITION	<input type="checkbox"/> CARPET	<input checked="" type="checkbox"/> ASPHALT	
<input type="checkbox"/> TECHNICAL	<input type="checkbox"/> MIXED	<input checked="" type="checkbox"/> FAST	
TRACTION	<input type="checkbox"/> LOW	<input checked="" type="checkbox"/> MEDIUM	<input type="checkbox"/> HIGH

FRONT	REAR
TRANSMISSION	

SOLID AXLE	<input checked="" type="checkbox"/> YES	BALL DIFFERENTIAL	<input type="checkbox"/> YES
SOLID ONE WAY DIFF.	<input type="checkbox"/> YES		
ONE WAY DIFFERENTIAL	<input type="checkbox"/> YES		

GEAR DIFFERENTIAL	<input type="checkbox"/> YES	GEAR DIFFERENTIAL	<input type="checkbox"/> YES
OIL		OIL	15.000 /Cst

PINION / T	27	SPUR GEAR / T	110
FINAL DRIVE RATIO	4.0740740740741	ROLLOUT	NaN

FRONT	REAR
-------	------

2.5-2.8	XRAY SPRINGS	2.5-2.8
---------	--------------	---------

450	OIL / CST	500
-----	-----------	-----

	LENGTH /mm	
--	------------	--

	PRELOAD /mm	
--	-------------	--

0	REBOUND %	0
---	-----------	---

<input checked="" type="checkbox"/> YES	<input type="checkbox"/> NO	FOAM INSERTS	<input checked="" type="checkbox"/> YES	<input type="checkbox"/> NO
<input type="checkbox"/> YES	<input checked="" type="checkbox"/> NO	O-RING ON SHAFT	<input type="checkbox"/> YES	<input checked="" type="checkbox"/> NO

<input type="checkbox"/> 3 HOLES	<input checked="" type="checkbox"/> 4 HOLES	PISTONS	<input type="checkbox"/> 3 HOLES	<input checked="" type="checkbox"/> 4 HOLES
		1.0mm		
		1.1mm		
		1.2mm		
		OTHERS		

1.3	THICKNESS/mm	ANTI-ROLL BAR	THICKNESS/mm	1.2
-----	--------------	---------------	--------------	-----

Ride REX 34	TIRES
-------------	-------

LRP Carpet 2	INSERTS
--------------	---------

15	ADDITIVE	ADDITIVE TIMING
----	----------	-----------------

FRONT LEFT	FRONT RIGHT	REAR LEFT	REAR RIGHT
TREATED AREA			

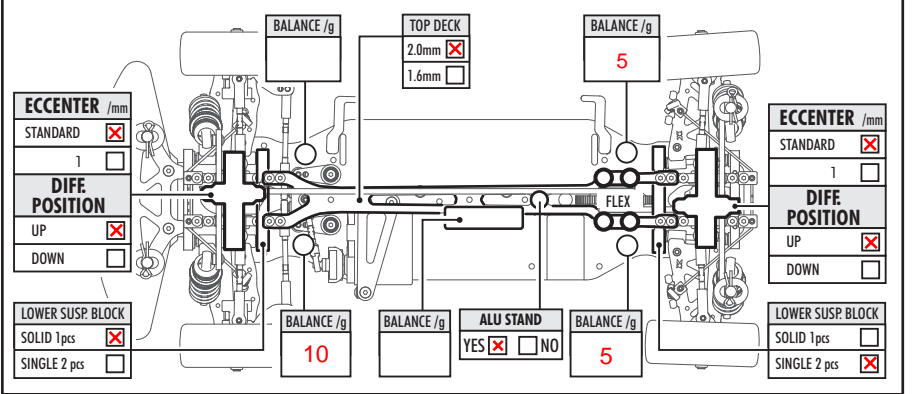
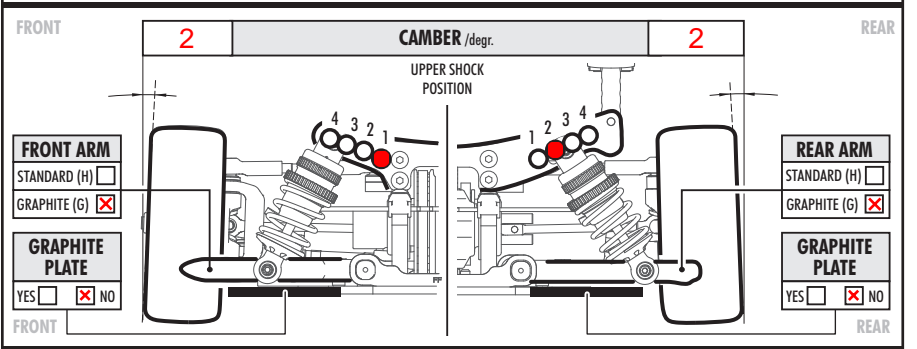
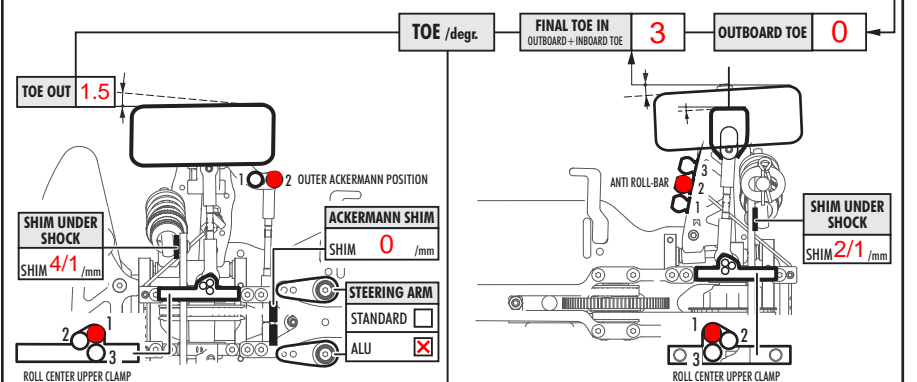
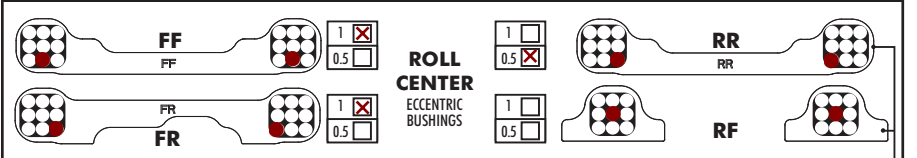
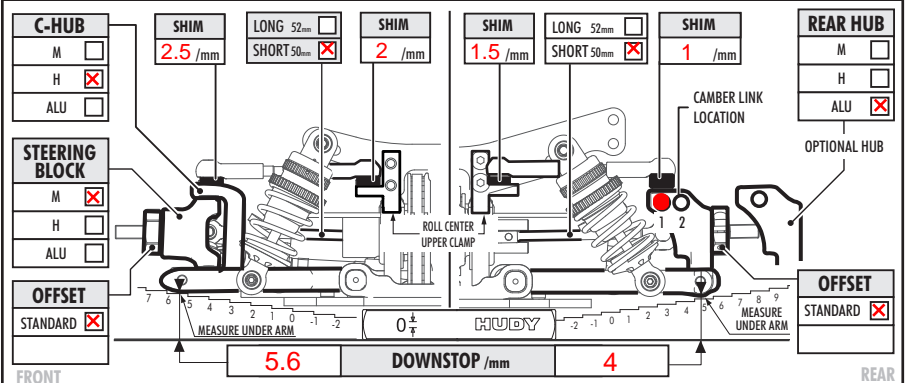
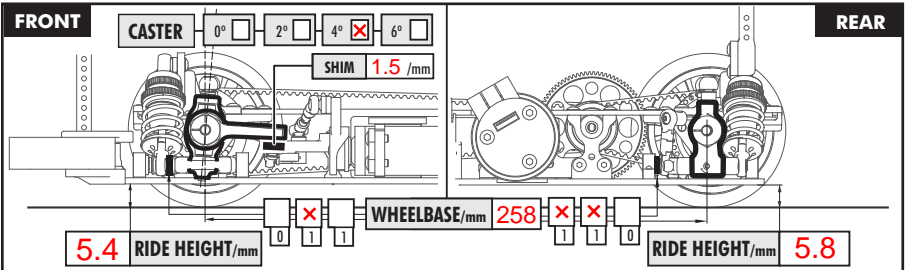
WHEELS			
<input type="checkbox"/> S	<input type="checkbox"/> M	<input type="checkbox"/> H	
HARDNESS			
<input type="checkbox"/> S	<input type="checkbox"/> M	<input type="checkbox"/> H	<input type="checkbox"/>

MOTOR	ORCA RX3 4.5T	TIMING
ROTOR	12.5	ARMATURE

ESC	ORCA VXX	BATTERIES	ORCA 6200 90C
-----	----------	-----------	---------------

BODY	PF LTC-R LW	WING	Yokomo
------	-------------	------	--------

<input checked="" type="checkbox"/> - APPLIED	S-SOFT	M-MEDIUM	H-HARD
---	--------	----------	--------



COMMENTS
 Topdeck raised 1mm
 AME Z.Z6 direct mount servo and servo horn (alu)
 ECS front driveshafts
 ARS rear suspension with 9/1 shimming