

# SET-UP SHEET

# XRAY T4'14

RACE	Preworlds		
TRACK	Fullthrottle Raceway		
NAME	Alexander Hagberg		
CITY / COUNTRY	Kissimmee	USA	
CONTACT	alexander.hagberg@gmail.com		

DATE	11/04/2014	TEMPERATURE / °F or °C	AIR	TRACK
------	------------	------------------------	-----	-------

QUALIFYING POSITION	BEST LAPTIME /sec	FINAL POSITION	RACE LENGTH /minutes
9	14.0	6	5

TRACK CONDITION	<input type="checkbox"/> CARPET	<input checked="" type="checkbox"/> ASPHALT
<input type="checkbox"/> TECHNICAL	<input type="checkbox"/> MIXED	<input checked="" type="checkbox"/> FAST

TRACTION	<input type="checkbox"/> LOW	<input checked="" type="checkbox"/> MEDIUM	<input type="checkbox"/> HIGH
----------	------------------------------	--	-------------------------------

FRONT	REAR
TRANSMISSION	

SOLID AXLE	<input checked="" type="checkbox"/> YES	BALL DIFFERENTIAL	<input type="checkbox"/> YES
SOLID ONE WAY DIFF.	<input type="checkbox"/> YES		
ONE WAY DIFFERENTIAL	<input type="checkbox"/> YES		

GEAR DIFFERENTIAL	<input type="checkbox"/> YES	GEAR DIFFERENTIAL	<input type="checkbox"/> YES
OIL		OIL	10/15K mix /Cst

PINION / T	27	SPUR GEAR / T	110
FINAL DRIVE RATIO	4.0740740740741	ROLLOUT	NaN

FRONT	REAR
-------	------

2.7	XRAY SPRINGS	2.7
-----	--------------	-----

400	OIL / CST	450
-----	-----------	-----

	LENGTH /mm	
--	------------	--

	PRELOAD /mm	
--	-------------	--

0	REBOUND %	0
---	-----------	---

<input type="checkbox"/> YES	<input checked="" type="checkbox"/> NO	FOAM INSERTS	<input type="checkbox"/> YES	<input checked="" type="checkbox"/> NO
<input type="checkbox"/> YES	<input checked="" type="checkbox"/> NO	O-RING ON SHAFT	<input type="checkbox"/> YES	<input checked="" type="checkbox"/> NO

<input type="checkbox"/> 3 HOLES	<input checked="" type="checkbox"/> 4 HOLES	PISTONS	<input type="checkbox"/> 3 HOLES	<input checked="" type="checkbox"/> 4 HOLES
		1.0mm		
		1.1mm		
		1.2mm		
OTHERS				

1.3	THICKNESS/mm	ANTI-ROLL BAR	THICKNESS/mm	1.2
-----	--------------	---------------	--------------	-----

Hot Race 32	TIRES	Hot Race 32
-------------	-------	-------------

SXT 3.0	INSERTS	SXT 3.0
---------	---------	---------

3	ADDITIVE	3
	ADDITIVE TIMING	

FRONT LEFT	FRONT RIGHT	REAR LEFT	REAR RIGHT
TREATED AREA			

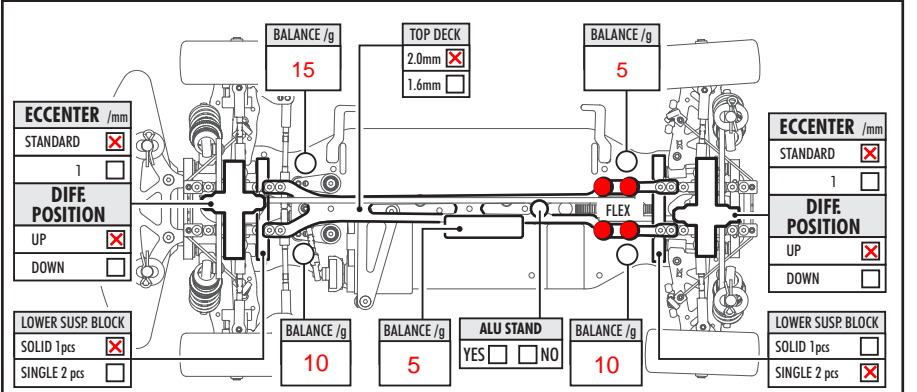
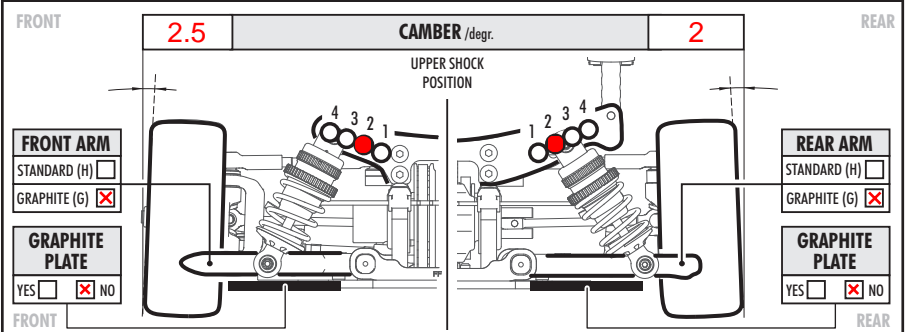
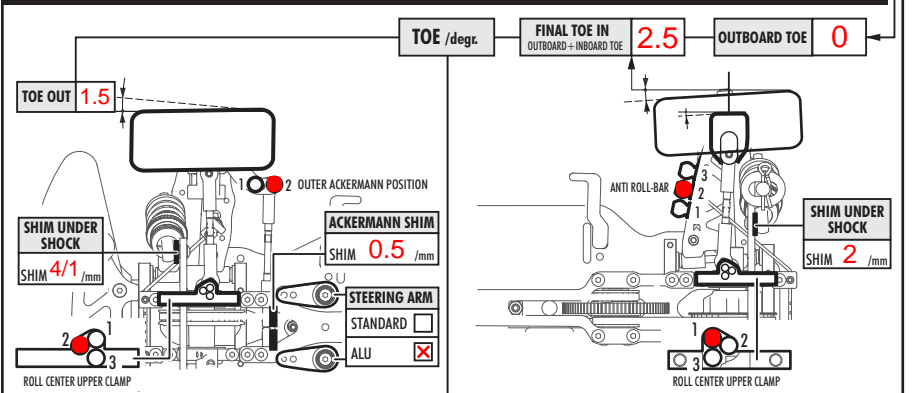
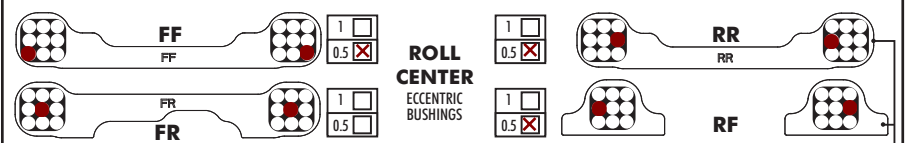
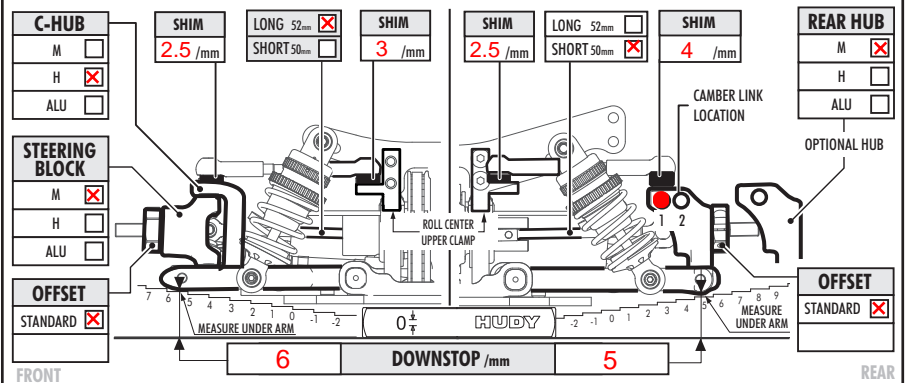
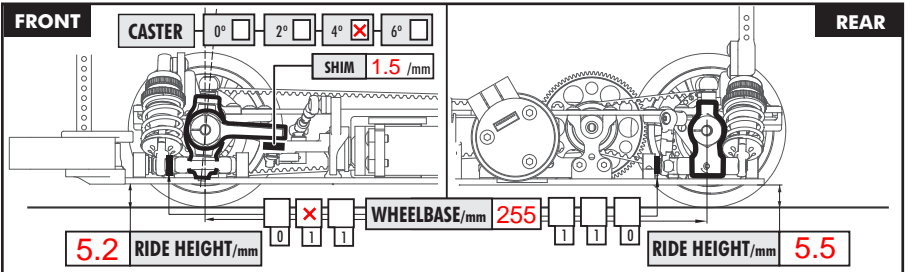
WHEELS			
<input type="checkbox"/> S	<input type="checkbox"/> M	<input type="checkbox"/> H	HARDNESS
<input type="checkbox"/> S	<input type="checkbox"/> M	<input type="checkbox"/> H	

MOTOR	ORCA TX 4.5T	TIMING	10
ROTOR	12.5	ARMATURE	

ESC	ORCA VXX	BATTERIES	ORCA 6200 90C
-----	----------	-----------	---------------

BODY	PF LTC-R	WING	PF Hard HD
------	----------	------	------------

- APPLIED    S-SOFT    M-MEDIUM    H-HARD



COMMENTS  
 HUDY alu servo horn 293501  
 ECS front driveshafts  
 Motormount nut loose  
 Only 2 screws in shock towers fr-r